

SERVICING

hi-fi

PREAMPS AND AMPLIFIERS

Includes Two Sections . . .

SECTION I—SERVICE FACTS ABOUT PREAMPS AND AMPLIFIERS

- Analyzing Equalization Networks
- Using the Audio Signal Generator to Test Amplifier Response
- A Glimpse into Stereo Preamp Design
- Interesting Facts About Feedback in Amplifiers

SECTION II—COMPLETE PHOTOFACT SERVICE DATA on 33 models of 1957-58 Preamps and Amplifiers

- PHOTOFACT Schematics
- Resistance Charts
- Cabinet and Chassis Photographs
- Parts Lists and Replacement Data

A Howard W. Sams

PHOTOFACT PUBLICATION—HF-4



SERVICING HI-FI PREAMPS AND AMPLIFIERS

VOLUME 4

(HF-4)



HOWARD W. SAMS & CO., INC.
Indianapolis 6, Indiana

FIRST EDITION
FIRST PRINTING—JANUARY, 1959
Copyright © 1959 by Howard W. Sams & Co., Inc.
Indianapolis 6, Indiana

Printed in the United States of America

Reproduction or use, without express permission of editorial or pictorial content, in any manner, is prohibited. No patent liability is assumed with respect to the use of the information contained herein.

Library of Congress Catalog Card Number: 58-12699

TABLE OF CONTENTS

INDEX Cumulative (Volumes 1-4) 4

SECTION I Service Facts About Preamps and Amplifiers 6

- *Analyzing Equalization Networks*
- *Using the Audio Signal Generator to Test Amplifier Response*
- *A Glimpse into Stereo Preamp Design*
- *Interesting Facts About Feedback in Amplifiers*

SECTION II PHOTOFACT Service Literature 13

- *PHOTOFACT Standard Notation Schematics*
- *Resistance Charts*
- *Cabinet and Chassis Photographs*
- *Parts Lists and Replacement Data*

• COVERING THESE PREAMPS AND AMPLIFIERS •

Bell Sound 3DT (G)	13	Harmon-Kardon A-1040 "Trend II"	87
Bell Sound 2315	21	Knight 93SZ505, 93SZ737	95
Challenger CHA33, CHA33Y	27	Knight 93SZ645	99
David Bogen L60	31	Knight 93SZ655	105
David Bogen PR100A	37	Knight 93SZ682	109
David Bogen ST-10, ST-10G	45	Knight 94SX706	113
Electro-Voice A15	49	Madison Fielding OR-45 "Transamp"	117
Electro-Voice A20	53	Newcomb CO-1010	121
Electro-Voice A30	57	Newcomb CO-1012	125
Electro-Voice PC2	61	Newcomb CO-1020	131
Fisher PR-6	65	Pilot AA-903B	137
Fisher 80-AZ	67	Scott (H.H.) 223	143
Grommes 212	71	Sherwood S-1000-II	147
Grommes 221	79	Stromberg-Carlson AR-411	153
Hamilton PMX-6	83	Stromberg-Carlson AR-419	157

INDEX

This index covers all units appearing in Volumes 1 through
4 of Servicing Hi-Fi.

HOME MUSIC SYSTEMS

Part 1 — Typical Layouts and General Servicing Hints	Vol. 1
Part 2 — Stereo Home Music Systems	Vol. 2
Part 3 — Highlights on FM	Vol. 3
Part 4 — Service Facts about Preamps and Amplifiers	Vol. 4

PHOTOFACT SERVICE LITERATURE

Name and Model No.	Vol. No.	Page No.	Name and Model No.	Vol. No.	Page No.
BELL SOUND			FISHER		
• 3DT(G)	4	13	FM-40	2	53
2250	3	13	FM-90X	3	63
• 2315	4	21	• PR-6	4	65
5615	2	11	TR-1	2	61
BIGG OF CALIFORNIA			• 80-AZ	4	67
'George Gott' GP30P	2	15	GROMMES		
BROCINER			GRT-3	3	71
Mark 30C	1	11	10PG	2	63
30A	2	19	15PG	1	73
CHALLENGER			207, 207A	1	79
• CHA33, CHA33Y	4	27	• 212	4	71
CHA75	1	15	• 221	4	79
CRAFTSMEN			HAMILTON		
CA-11	1	23	• PMX-6	4	83
CT-2	2	21	HARMON-KARDON		
CT-3	1	29	• A-1040 "Trend II"	4	87
CT-4	3	21	C100	1	85
DAVID BOGEN			C300	2	69
DB115	1	39	D200	1	89
DO70	1	45	FM-100	3	81
DO110	2	33	T-10	3	87
FM50	3	29	TA-120	2	75
• L60	4	31	KNIGHT		
• PR100A	4	37	KN-100	3	95
R620	2	37	KN-110	3	103
R660	1	49	KN-410	3	111
• ST-10, ST-10G	4	45	92SX401	3	95
DE WALD			92SX403	3	103
L-803A	3	37	92SX408	3	111
M-804	3	45	• 93SZ505	4	95
ELECTRO-VOICE			93SZ506	2	93
• A15	4	49	• 93SZ645	4	99
• A20	4	53	• 93SZ655	4	105
• A30	4	57	• 93SZ682	4	109
A50	2	45	93SZ695	1	97
A100	1	57	• 93SZ737	4	95
PC1	1	63	93SZ738	2	93
• PC2	4	61	94SX700	2	99
3304	3	51	94SX702	2	85
FAIRCHILD			94SX703	1	103
255A	1	69	94SX703 (Revised)	3	117
275	2	49	• 94SX706	4	113
			94SX708	2	99
			94SX711	2	85

• Signifies Coverage in This Volume

Name and Model No.	Vol. No.	Page No.	Name and Model No.	Vol. No.	Page No.
MADISON FIELDING			SCOTT (H. H.)		
FM-15	1	111	99-C	2	121
•PR-45 "Transamp"	4	117	•223	4	143
McINTOSH			240	1	139
C-4, C-4P	1	117	310B	3	125
MC-60	2	105	SHERWOOD		
NEWCOMB			S-1000	2	127
•CO-1010	4	121	•S-1000-II	4	147
•CO-1012	4	125	S-2000	3	135
•CO-1020	4	131	STROMBERG-CARLSON		
E-25	1	123	AP-428	1	145
H-25	2	111	•AR-411	4	153
PACEMAKER			•AR-419	4	157
PM20	2	117	AU-64	2	133
2285	1	127	SR-402	2	137
PEDERSEN			SR-403B	3	147
AFM-6A	1	131	TECH-MASTER		
PILOT			FM-18	3	155
•AA-903B	4	137	19	1	149
			WHITLEY		
			"Murasonde" AP1000	2	145

• Signifies Coverage in This Volume

SERVICE FACTS ABOUT PREAMPS AND AMPLIFIERS

ANALYZING EQUALIZATION NETWORKS

In a hi-fi system, it is generally desirable to have a flat frequency response over the entire audible range. This doesn't mean that every component (speaker, amplifiers, cartridge, etc.) will have a flat response, nor does it mean that corrective measures will be taken with every unit to produce this desired response. It does mean, however, that action should be taken to insure that the output will be as nearly like the original music or sound as possible.

What do we mean by flat? Simply stated, a flat response is realized when, after the volume control is adjusted to reproduce the original volume level at any one frequency, this same volume level will be reproduced at all frequencies on the recording. Now that we have established the need for a frequency response that is flat and covers the entire audible range, let's see how equalization and equalizers fit into the picture.

Those of you who are familiar with the specifications for playback power amplifiers know that a typical listing of these specs might be 30 watts of audio over the range of 20 cps to 50 kc ± 1.5 db at less than 3% IM (intermodulation) distortion. You should also be familiar with the fact that a speaker enclosure is designed to load the speaker and, thus, match it to the output amplifier to produce an essentially flat frequency response. It is also readily accepted that voltage amplifier stages can be designed with a flat frequency response over the entire audio range. Why, then, is equalization (frequency compensation) needed?

There are two main reasons — the pickup device used in the playback system, and the recording itself. Let's examine the recording first. Most pickup cartridges utilize the velocity principle, where the output signal voltage is proportional to the excursion rate of the needle. It just so happens that when the record is cut to produce equal velocities for all frequencies of the same voltage amplitude, the excursion distance is inversely proportional to the frequency.

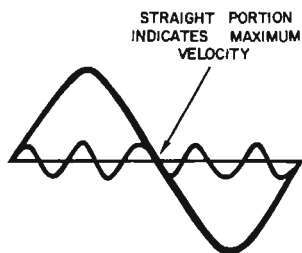


Fig. 1. A constant velocity at all frequencies results in higher amplitudes at low frequencies.

In Fig. 1, two signals are superimposed to illustrate this phenomenon. This would mean (using practical figures) that if an excursion of 1/10,000 of an inch produced maximum output voltage at 20,000 cps, then the excursion required to produce the same output at 20 cps would be 1/10 of an inch. Naturally, grooves 1/10 of an inch wide cannot possibly be packed 100 to the inch on a record. Some LP and extended play 45's even have more than 100 grooves to the inch. For this reason then, the amplitudes of low-frequency sig-

nals are attenuated before they are applied to the record.

On modern recordings, this attenuation is not done on a helter-skelter basis. Instead, most recordings are now based on the RIAA (Recording Industry Association of America) curve shown in Fig. 2.

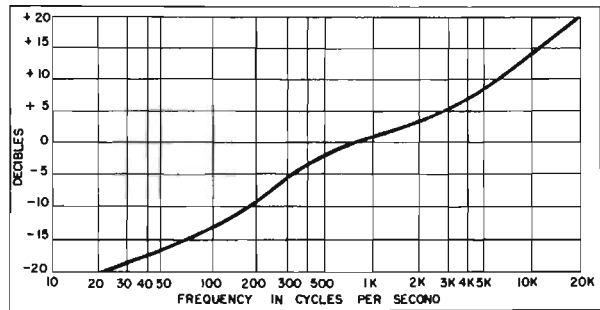


Fig. 2. RIAA recording curve (± 2 db tolerance).

As you can readily see, all signals with a frequency below 1,000 cps will be attenuated, while those above 1,000 cps will be boosted. Applying this information to your knowledge of a playback system, you can see that if we are to hear music as it sounded before being put on the record, some frequency compensation must be employed in the playback system. The RIAA playback curve in Fig. 3 is the reverse of the record curve in Fig. 2, and equalization in the playback must boost the low frequencies and attenuate the high frequencies in accordance with this curve to produce a flat response.

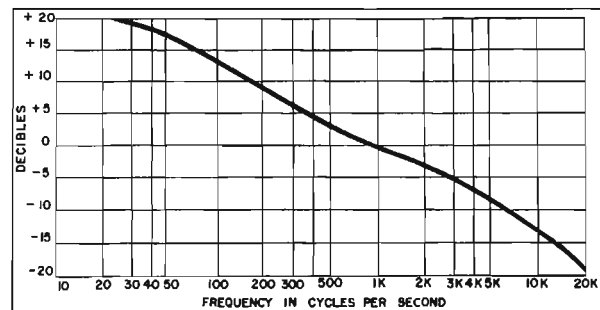


Fig. 3. RIAA playback curve (± 2 db tolerance).

This, of course, assumes a flat response characteristic for the pickup device — a condition not always found. To compensate for the frequency-characteristic differences between the various pickup devices, tone controls that can either boost or attenuate both low and high frequencies are included in playback systems, but the ranges of these controls are generally not sufficient to complement the record curve. Thus, a special circuit that accomplishes the required equalization is incorporated in the playback amplifier and is almost always made up of combinations of resistors and capacitors. Let's examine the basic circuit in Fig. 4 and see how this combination of resistance and capacitance can be used for frequency correction.

First of all, let's eliminate the components not primarily tied in with frequency correction — the plate-load resistor R1 for the first stage, the coupling capacitor and DC blocker C1, and the DC return R4 for the grid of the second stage. Actually, C1 does affect the low-frequency response since its impedance will be fairly high at low audio frequencies, but this is not the reason it is used. As a matter of fact, its effect is the opposite of what we are trying to obtain and must be considered in the design of the compensating network.

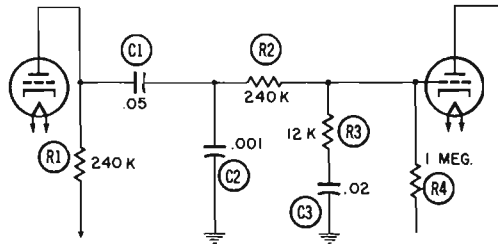


Fig. 4. Basic equalization circuit.

Getting into the network itself, we find that C2 and R2 form a low-pass filter network which attenuates the highs more than the lows. This happens because the higher the frequency, the lower the value of X_C for any given capacitor. In the vernacular of the hi-fi fan, C2 provides high frequency roll-off.

Now we get to the series network of R3 and C3, and again we have a reactance (X_C) that varies with frequency. If you calculate the reactance of a .02-mfd capacitor, you will find that: at 60 cps, X_C equals 191K, at 1,000 cps, X_C equals 7,950 ohms; at 10,000 cps, X_C equals 795 ohms; and at 20,000 cps, X_C equals 397 ohms. Since X_C and R are in series, the net result is an impedance which varies from 12,397 ohms at 20 kc to 203,000 ohms at 60 cps.

If we further analyze this circuit, we see that any signal at the junction of C1, C2 and R2 will divide between R2 and the combination of R3 and C3. Since the total impedance of R3 and C3 is higher at low frequencies, more signal voltage will be applied to the output grid at low frequencies. This is the type of equalization circuitry employed for a common variable-reluctance style of pickup cartridge.

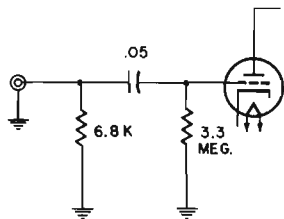


Fig. 5. Equalization in input circuit.

Equalization may not always be accomplished entirely between the halves of a dual triode, as shown in Fig. 4. In many cases, high frequency roll-off is accomplished through the use of a small resistor across the input, as shown in Fig. 5. Its purpose is to provide damping for the variable-reluctance cartridge and, thus, reduce the highs.

Other types of pickup devices usually require different equalization characteristics; furthermore, different circuit designs (such as pentode-to-triode or triode-to-pentode) will require different equalization network configurations. However, these circuits could also be analyzed for an understanding of how they are used to accomplish equalization.

USING THE AUDIO SIGNAL GENERATOR TO TEST AMPLIFIER RESPONSE

Testing a high-quality amplifier without specialized equipment has always been a problem. However, an amplifier can be checked for power output and frequency response with an audio signal generator, AC voltmeter, and scope. If the scope has a wide bandpass response, flat from 0 to 1,000,000 cps or greater, a square-wave audio signal can be used to check both high- and low-frequency responses of the amplifier. If, however, the scope is the general-service type (response to 500 kc), then a sine-wave signal is more suitable. The limited response of a narrow-band scope will distort the square wave slightly and affect the accuracy of the test.

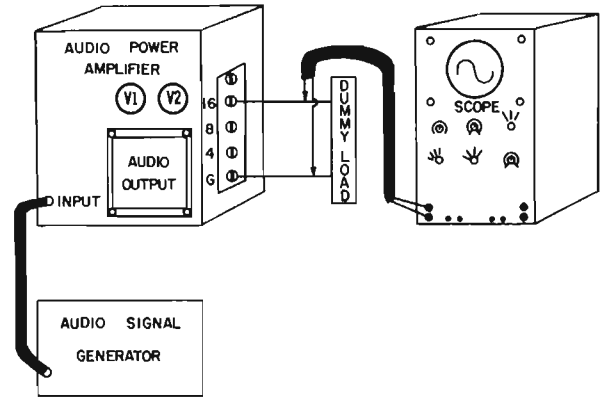
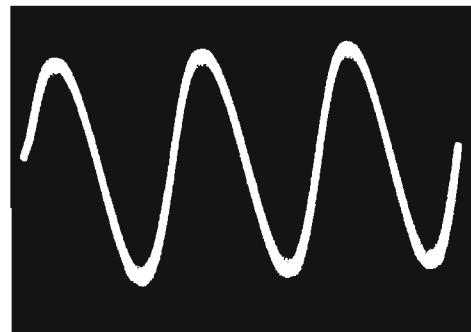
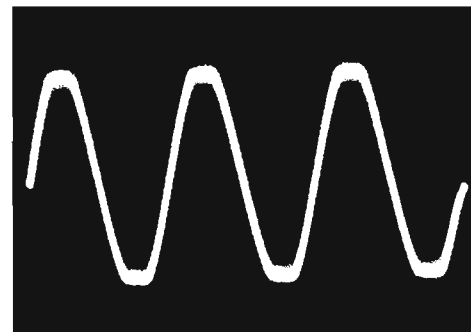


Fig. 6. Test setup for checking amplifier gain over the audio-frequency range.



(A) No clipping.



(B) Mild clipping.

Fig. 7. Comparison of scope patterns observed when setting generator gain level.

In making the test setup, the audio sine-wave signal is applied to the amplifier input, and the speaker output terminals are terminated with a suitable resistor (8 or 16 ohms of a wattage equal to or greater than the power rating of the amplifier). The scope is connected across this resistor, as shown in Fig. 6. A 25-ohm, 100-watt potentiometer makes a good universal dummy load.

After allowing about 15 minutes for warmup, set the signal generator frequency at 1,000 cps and adjust the signal level to the point just below clipping, as illustrated in Fig. 7. The AC output voltage can now be measured across the dummy resistor. A sensitive AC VTVM is best for this measurement; however, a conventional 5,000 ohm-per-volt VOM will give satisfactory performance. Compare your readings with those in Table I to obtain the power output capability of the amplifier under test. If you use a conventional VOM, your amplifier is producing a power output equal to or slightly higher (10 to 15%) than the figure in the table.

DUMMY LOAD— —4 OHMS		DUMMY LOAD— —8 OHMS		DUMMY LOAD— —16 OHMS	
VOLTAGE	WATTS	VOLTAGE	WATTS	VOLTAGE	WATTS
2	1	4	2.0	8	4
2.3	1.3	5	3.125	9	5
2.6	1.71	6	4.5	10	6.25
3	2.25	7	6.125	11	7.5
3.5	3	8	8	12	8
4	4	9	10.1	13	10.6
5	6.25	10	12.5	14	12.25
6	9	11	15	15	14
7	12.5	12	18	16	16
8	16	13	21	17	18
		14	24.5	18	20
		15	28	19	22.5
		16	32	20	25
				21	27.5
				22	30
				23	33
				24	36
				25	39
				30	56
				35	75.6
				40	100

Table I. Power Output in Terms of Voltage Across Fixed Resistor.

To check frequency response, adjust the signal-generator frequency to the lowest frequency the amplifier can pass, and adjust the generator output to produce a signal level above which clipping will take place. Repeat this operation at 500- to 1,000-cps increments across the audio spectrum, noting the voltage reading obtained. Plotting the readings on a graph, as

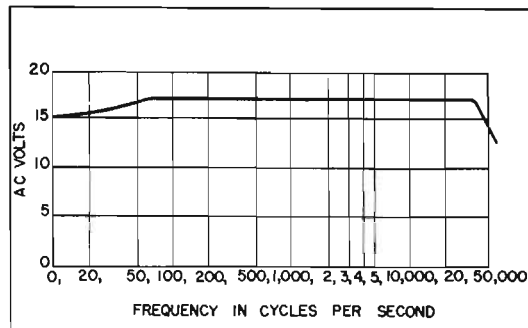


Fig. 8. Amplifier response graph obtained by plotting output voltage readings.

shown in Fig. 8, will provide a gain curve of the amplifier. Harmonic or intermodulation distortion will not be evident; but if the gain curve is fairly flat across the band (similar to Fig. 8), the amplifier is doing a reasonably good job. If you need a more accurate check, use a harmonic distortion analyzer and intermodulation analyzer in the prescribed manner.

A GLIMPSE INTO STEREO PREAMP DESIGN

To say a preamp is a preamp and a stereo preamp is simply two preamps would be like saying any two babies are twins. Since we know a 6SN7 won't work as the final amplifier in a 100-kw transmitter stage, we can realize that a stereo preamp isn't just two of everything. While two of everything is required, several other considerations are of utmost importance to stereo operation. In the block diagram of Fig. 9,

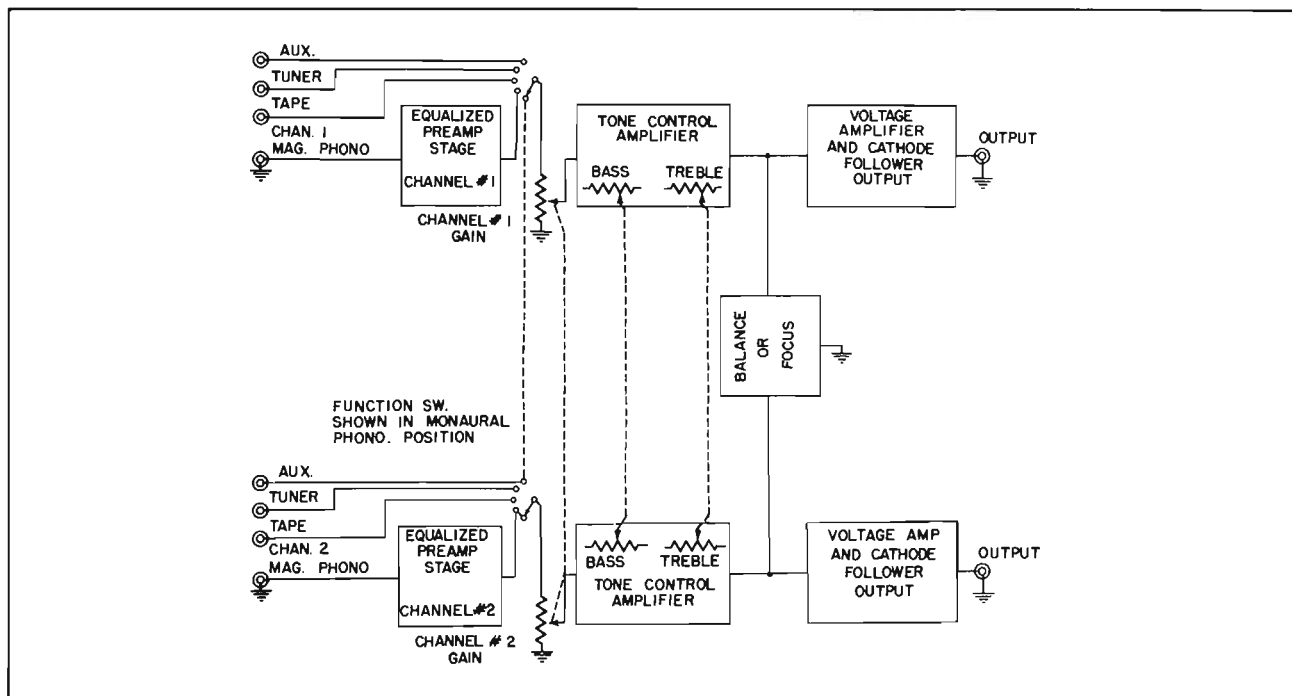


Fig. 9. Block diagram of basic stereo preamplifier, showing pair of identical sound channels, ganged controls, balance network, and function-switch circuit.

for example, you will notice such things as balance control, ganged controls, monaural phono position, and two input jacks for each position on the function selector (except monaural phono). Ganged equalization switches that simultaneously provide the desired equalization to both preamplifier stages may also be provided.

Of particular interest is the fact that the function selector switches, gain, treble, and bass controls of the two channels are ganged — making this portion of the stereo preamplifier no more complicated to operate than a single-channel preamplifier.

The gain controls in Fig. 9 might be labeled volume or loudness in a commercial unit. The function would be the same, however — to vary the output signal of the two channels equally and simultaneously. The ganged bass and treble controls need no explanation other than that they provide simultaneous changes in bass or treble response for the two channels. The design of the circuit in each channel must consider this ganged operation, and the components selected must be of close tolerance to insure a balanced operating condition.

The balance or focus control is peculiar to stereo preamps — monaural units don't have one. This control provides precise balancing of the two output signal amplitudes. If, for any reason (such as unbalanced gain in the preceding stages), the output signals are not identical in amplitude, the balance control can be adjusted to achieve the desired degree of equality. While the balance control is shown connecting the two channels, it does so only from a DC bias standpoint. It does not link the signals in the two channels, nor does it in any way cause the two signals to be mixed.

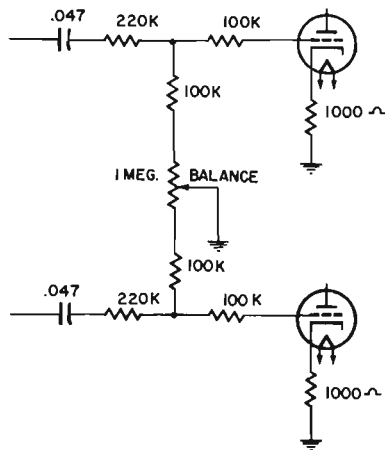


Fig. 10. Schematic of balance control network between stereo preamp channels.

The sample circuit in Fig. 10 shows how the balance control connects into the circuit to do its required job. As you can see, the control is in the common grid return and varies the ratio of DC resistance in each grid circuit. Because of this feature, a stage of gain is provided after the balance control and just ahead of the usual cathode-follower output stage. Thus, where some commercial preamp designs have employed only two dual-triode tubes (one tube as equalized preamp, one-half tube as tone-control amplifier, and one-half tube as a cathode follower), many stereo preamps will employ three dual triodes in each channel. When this is done, one tube will probably be used

for equalized preamp stages, one as a tone-control amplifier, and one as a voltage amplifier and cathode-follower output.

The major problem in stereo preamp design is to construct the unit so that it will provide identical performance on both channels without interaction between the two. This is achieved by the use of close-tolerance components, matched tubes, adequate filtering and decoupling between the two channels and the power supply, and careful layout of components so that ground loops will not be created. While the foregoing are most important on the manufacturing level, they also enter the picture whenever service is required. The service technician should replace defective components with replacements having identical ratings and characteristics. Furthermore, replacements should be installed exactly like the originals; ground connections, etc., should not be moved, even though it may be easier to connect a part differently. Also, any tube to be used in a stereo preamp should be aged in the circuit for 24 hours before the unit undergoes a final check prior to its return.

INTERESTING FACTS ABOUT FEEDBACK IN AMPLIFIERS

Feedback is a term often encountered by anyone active in audio work, especially by those who have a particular interest in amplifiers. Persons who work with public-address systems may connect the term with the howls and squeals that occur when sound from a loudspeaker is picked up by the microphone which picked up the original signal. The service technician, on the other hand, may be reminded of the whistles and squeals heard from a radio loudspeaker because unwanted feedback or coupling in some part of the receiver circuit caused the circuit to oscillate.

Feedback occurs when a portion of a signal in one part of an amplifier is reintroduced, or fed back, to a circuit nearer the amplifier input. The feedback is positive when the signal fed back is in phase with the input signal, in which case the gain of the circuit will increase and cause oscillation. The feedback is negative when the signal fed back is out of phase with the input signal. In this case, the gain of the circuit will be reduced.

We will concern ourselves here with the negative (or inverse) feedback applied to amplifiers to obtain certain desirable results. Almost everyone who works with amplifiers is acquainted with the basic principle of how an out-of-phase signal is fed back into an amplifier to reduce distortion, but this is only part of the story and is far from being enough to be of much assistance when an amplifier is being tested or serviced. The service technician should be familiar with the principles involved in negative feedback because some unusual and puzzling conditions can arise when a circuit included in a feedback loop is modified or disturbed. The term "feedback loop" refers to the circuit between the point where the feedback signal is taken from the circuit and the point where it is fed back into the circuit.

Negative feedback is largely responsible for the very low percentages of distortion featured by modern high-quality amplifiers. Only a few years ago, an amplifier with five per cent harmonic distortion was considered very good, but now the situation has changed. With the use of negative feedback, improved circuits, and high-grade output transformers in

present-day amplifiers, one-half per cent harmonic distortion at rated output is common, and much lower percentages are not at all unusual.

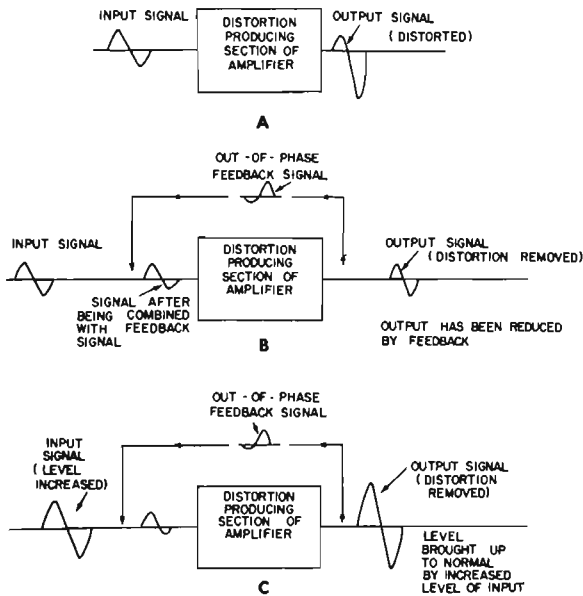


Fig. 11. The effect of negative feedback on a distorted signal.

The basic effect of negative feedback is illustrated in Fig. 11. The undistorted input signal and the distorted output signal are shown in Fig. 11A. The distortion of the output signal is evident because one peak of the signal waveform reaches a greater amplitude than the other. Such distortion, due to the non-linear operation of tubes and other circuit components, is characteristic of amplifiers. A portion of the distorted output signal is fed back out of phase to the input, where it combines with and modifies the input signal, as shown in Fig. 11B. The input signal is actually distorted by the out-of-phase feedback signal, so that the greater part of the distortion developed in the amplifying circuit is counteracted. Note that in Fig. 11B, the amplitude of the output signal has been reduced because of negative feedback. The output can be brought up to its normal level, as in Fig. 11C, if the

level of the input signal is increased. The power-handling capabilities of amplifiers are not reduced by the application of negative feedback.

To be effective, the out-of-phase feedback signal must be taken from the amplifier at a point following the circuit in which the distortion is developed and must be fed into the amplifier at a point ahead of the circuit in which the distortion is developed.

The amount of negative feedback in an amplifier is rated in decibels and is the ratio of the output voltage obtained without feedback to the output voltage developed when feedback is applied. In other words, it is the gain reduction, in decibels, caused by the application of negative feedback.

The amount of negative feedback that can be used is limited, for several reasons. In the first place, we can realize that the full signal could not be fed back because the output would then drop to zero. This is never approached in actual practice because more than 20 decibels of feedback are seldom applied in a single feedback loop.

If 20 decibels of feedback were used in such a manner as to be fully effective, distortion and noise in the circuit would be reduced by a factor of 10. The gain of the circuit would also be reduced by a factor of 10; therefore, 10 times the amount of signal required before the feedback was applied would have to be used to obtain the same power output. For example, if 0.1 volt of input signal were required for a 20-watt output from an amplifier without feedback, then 1.0 volt of input signal would be needed to obtain the normal output of 20 watts after 20 decibels of feedback were applied.

An amplifier must be carefully designed and must use high-quality components if any large amount of negative feedback is to be utilized satisfactorily. Otherwise, the operation of the amplifier can become very unstable, even when only a moderate amount of feedback is applied.

Negative feedback is not a cure-all and must not be relied upon to make an excellent amplifier out of one that was poorly designed with undesirable characteristics. Negative feedback can make a very noticeable improvement in the operation of a mediocre amplifier, but it cannot work miracles.

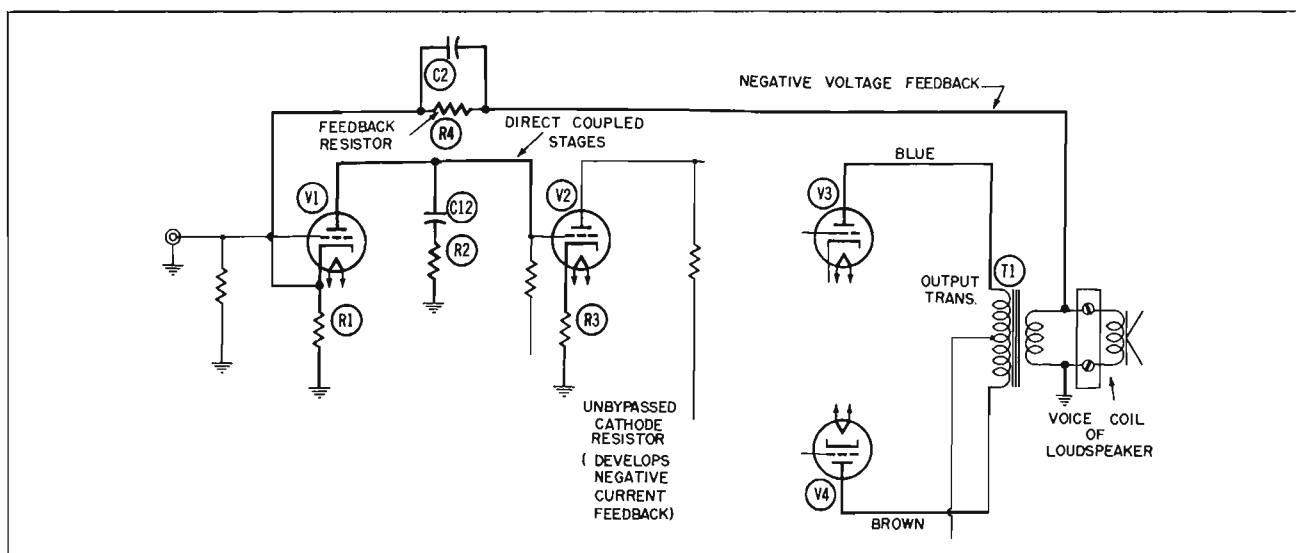


Fig. 12. Partial schematic diagram of a typical amplifier circuit using negative feedback.

Fig. 12 shows a partial schematic of a typical amplifier circuit in which the output transformer is included in the negative-feedback loop. A portion of the signal voltage developed across the load (the voice coil of the loudspeaker) is fed back to the cathode of tube V1 in the input stage. The amount of signal fed back depends upon the resistance value of feedback resistor R4. A large value of resistance reduces the amount of feedback, while a low value increases the feedback.

The feedback signal must be 180° out of phase with the input signal to produce the desired effects on the output signal. While the 180° out-of-phase relationship can be maintained readily at midfrequencies, the extreme low and high ends of the frequency range present some difficulties.

Circuit components, particularly the output transformer and the coupling capacitors, tend to shift the signal phase at the extreme high and low frequencies. The phase can be shifted so far that the feedback becomes positive at high and low frequencies. This situation can cause the amplifier to become very unstable at the frequency extremes because positive feedback produces oscillations. The feedback may become positive only on signal peaks, and therefore, the oscillations may occur in bursts and at certain frequencies only. This condition can give rise to many peculiar and disturbing forms of distortion. Loudspeakers have been blamed for a rattling or buzzing sound, when the amplifier was actually at fault.

Various precautions are taken to prevent or at least reduce the phase shift and thereby stabilize the operation of the amplifier. Output transformers with sufficiently low leakage reactances are a necessity. Very large coupling capacitors are employed where required, or capacitors are eliminated altogether by direct coupling. Phase- and frequency-correction networks, such as resistor R2 and capacitor C1 in the plate circuit of V1 or capacitor C2 across feedback resistor R4, aid in stabilizing the amplifier.

Since the feedback signal must be 180° out of phase, the output transformer must be correctly phased in the circuit. For instance, if the plate leads of the transformer were reversed so that the blue lead went to the plate of V4 and the brown lead went to the plate of V3, the phase of the feedback signal would be reversed and would become positive. The amplifier would oscillate and produce a terrific roar or howl.

The feedback in the circuit we have been discussing is voltage feedback because the feedback signal is a portion of the signal voltage developed across the voice coil of the loudspeaker. The results from the use of negative feedback in this circuit are typical of the desirable effects of voltage feedback when it is applied properly. We can list them as follows:

- Distortion is reduced.
- Certain types of hum and noise are reduced.
- Output impedance is decreased.
- Loudspeaker damping is increased.
- The effects of the varying load presented to the amplifier by the loudspeaker are decreased.
- Frequency response is increased.

Tone controls should not be located inside a feedback loop because much of their effectiveness will

be nullified by negative feedback. This is one reason tone controls and other compensating circuits are usually located in another section of the audio system.

An unbypassed cathode resistor is another method of obtaining negative feedback. As an example, R3 in Fig. 2 produces current feedback. Some of the effects of current feedback are the same as those obtained with voltage feedback, while others are the opposite. Some of the characteristic effects of current feedback are:

- Distortion is reduced.
- Gain is reduced.
- Plate resistance of the stage in which the feedback is located is increased.
- Effect of load impedance on the output voltage is increased.
- Loudspeaker damping is decreased when current feedback is applied.

The damping applied to the loudspeaker can be controlled by varying the amount of feedback. The damping control circuit in Fig. 13 is a good example of this application of negative feedback. Two negative-feedback loops are used. One is voltage feedback, and the other is current feedback. The damping factor can be changed by varying the ratio of voltage feedback to current feedback.

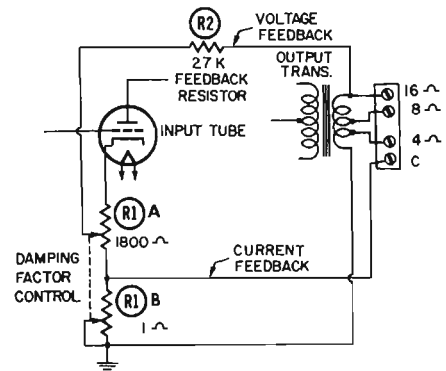


Fig. 13. Circuit using damping factor control.

Negative feedback is developed by the voltage-feedback loop connected from the top (or 16-ohm tap) of the output transformer through feedback resistor R2 to the moving contact of R1A in the cathode circuit of the input tube. When the moving contact is moved to the top or cathode end of R1A, negative voltage feedback will increase to maximum, and maximum damping action will be produced.

Negative feedback is developed in the current feedback circuit connected from the common (C) tap through R1B to ground. When the moving contact of R1B is moved toward the top or cathode end, current feedback will decrease because the resistance is reduced toward zero as R1B is progressively shorted to ground.

When R1B is moved in the opposite direction, current feedback is increased. Here we should recall that loudspeaker damping decreases as negative current feedback increases and that the damping increases when negative voltage feedback increases.

R1A and R1B are ganged and must turn together; therefore, when the damping-factor control tap is

moved to maximum (upward on the schematic), the negative voltage feedback produces the desired maximum damping factor, and no current feedback is produced because R1B is shorted.

When the damping control is set to the minimum position, minimum negative voltage feedback is developed, and the damping factor is reduced. But, in this minimum position, maximum negative current feedback is produced; and this, in turn, also reduces the damping factor. Thus, a large range of damping can be obtained; however, since negative feedback is always applied, distortion will be held to a minimum at any setting of the damping-factor control.

Negative feedback can be utilized by tone controls, compensation circuits for magnetic cartridges, and record-playback compensation circuits in phono preamplifiers to modify the frequency response of an amplifier. This action is possible because the negative-feedback loop can be frequency selective. The feedback network is so modified that certain frequencies are fed back while other frequencies are not. The frequencies that are fed back are attenuated because negative feedback reduces gain, but those that are not fed back are not attenuated and are effectively boosted.

Fig. 14 shows a typical phono-preamplifier circuit in which compensation (bass boost) is obtained with a frequency-selective feedback circuit. C1 (shunted across feedback resistor R1) and C2 (shunted by R2) offer very little opposition to the feedback of high frequencies; consequently, these frequencies are fed back and attenuated. The reactances of C1 and C2 become progressively greater as frequency is lowered, and therefore, the low frequencies are not subjected to as much loss and are effectively boosted. The

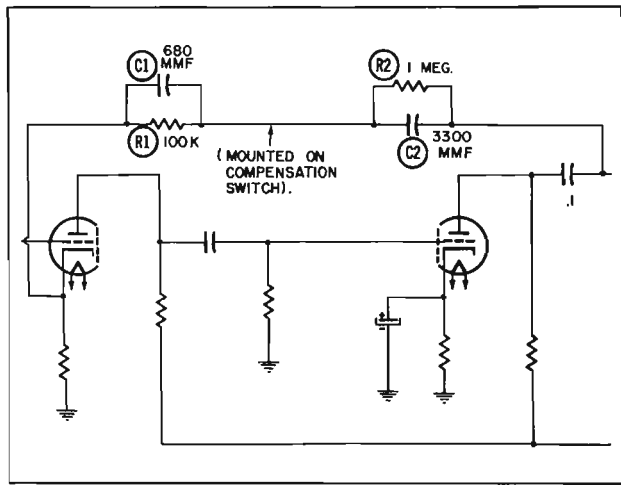


Fig. 14. Circuit using negative feedback for compensation.

compensation can be made to follow almost any desired curve if the appropriate network of resistors and capacitors is inserted in the feedback circuit. The values shown in Fig. 14 have been used for RIAA record compensation.

The same basic action is used with tone controls that employ negative feedback to control frequency response. A variety of such tone-control circuits are used, and some of them can appear to be very elaborate, but they all use the frequency-selective feedback action.

The definite advantage of negative feedback in equalizing circuits is that, in addition to the compensation obtained, distortion and noise are reduced by the action of the feedback.



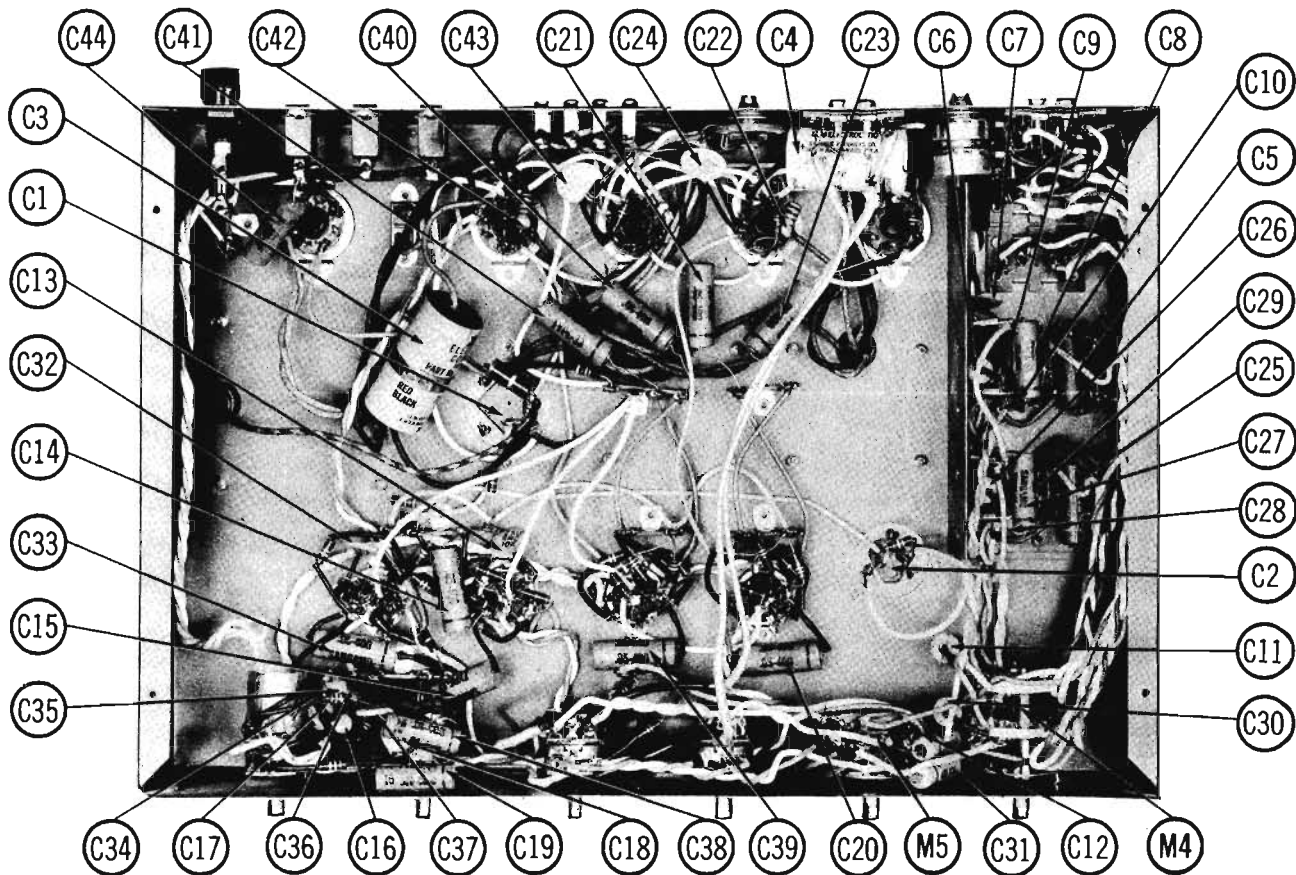
**BELL SOUND
MODEL 3DT (G)**

TRADE NAME	Bell Sound Model 3DT (G)	
MANUFACTURER	Bell Sound Systems, Inc., 555 Marlon Road, Columbus 7, Ohio.	
TYPE SET	AC Operated 8 Channel Binaural Amplifier	
TUBES	Eleven	
POWER SUPPLY	110-120 Volts AC-60 Cycles	RATING 1.1 Amp@117 Volts AC (120 Watts)

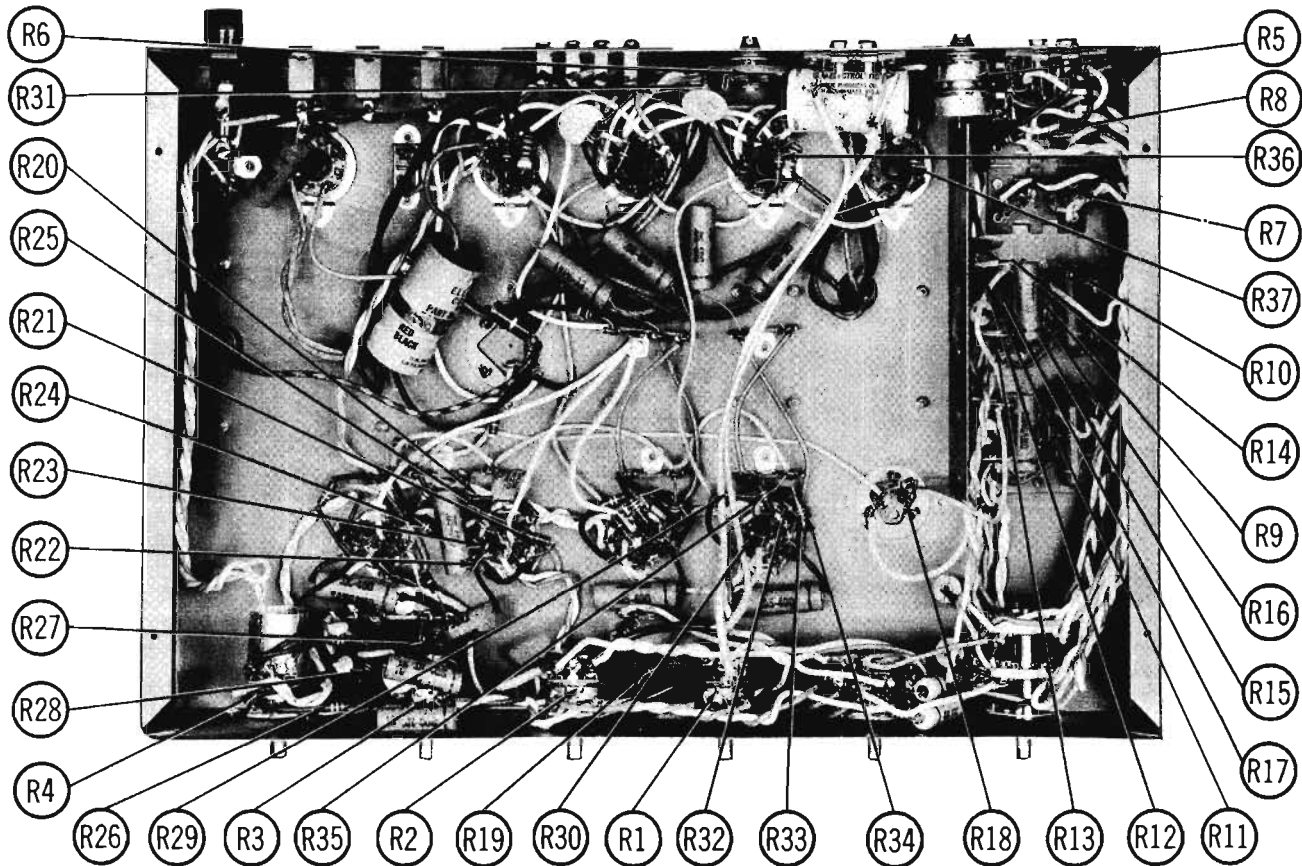
HOWARD W. SAMS & CO., INC. • Indianapolis 5, Indiana

The listing of any available replacement part herein does not constitute in any case a recommendation, warranty or guaranty by Howard W. Sams & Co., Inc., as to the quality and suitability of such replacement part. The numbers of these parts have been compiled from information furnished to Howard W. Sams & Co., Inc., by the manufacturers of H342

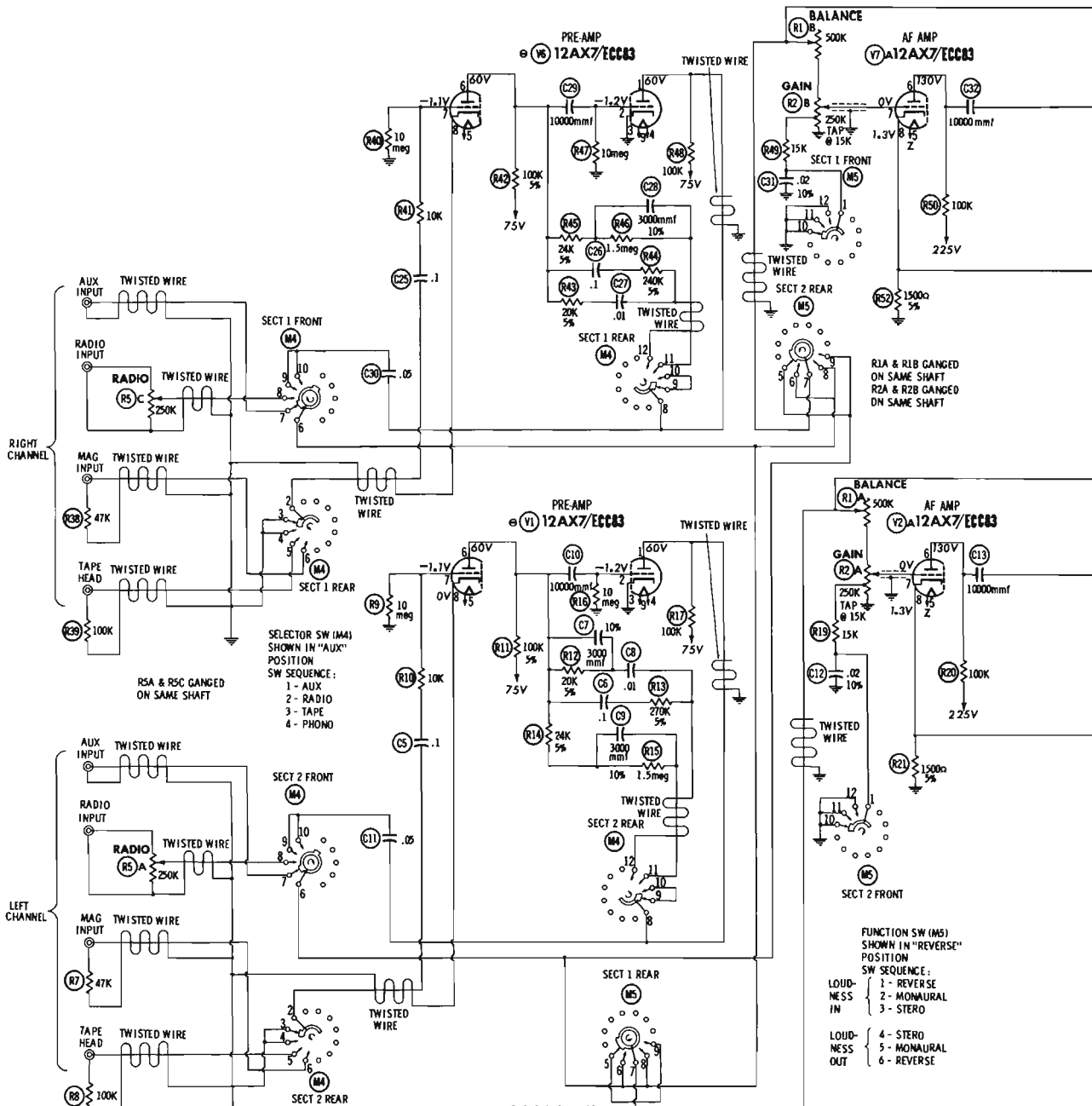
the particular type of replacement part listed. Reproduction or use, without express permission, of editorial or pictorial content, in any manner, is prohibited. No patent liability is assumed with respect to the use of the information contained herein. © 1958 Howard W. Sams & Co., Inc., Indianapolis 5, Indiana . Printed in U.S. of America



CHASSIS BOTTOM VIEW-CAPACITOR IDENTIFICATION



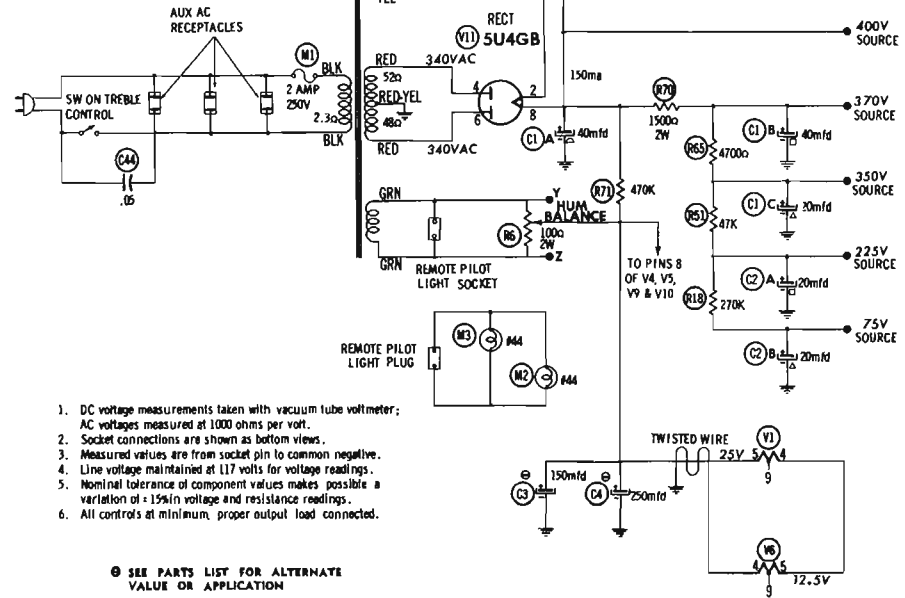
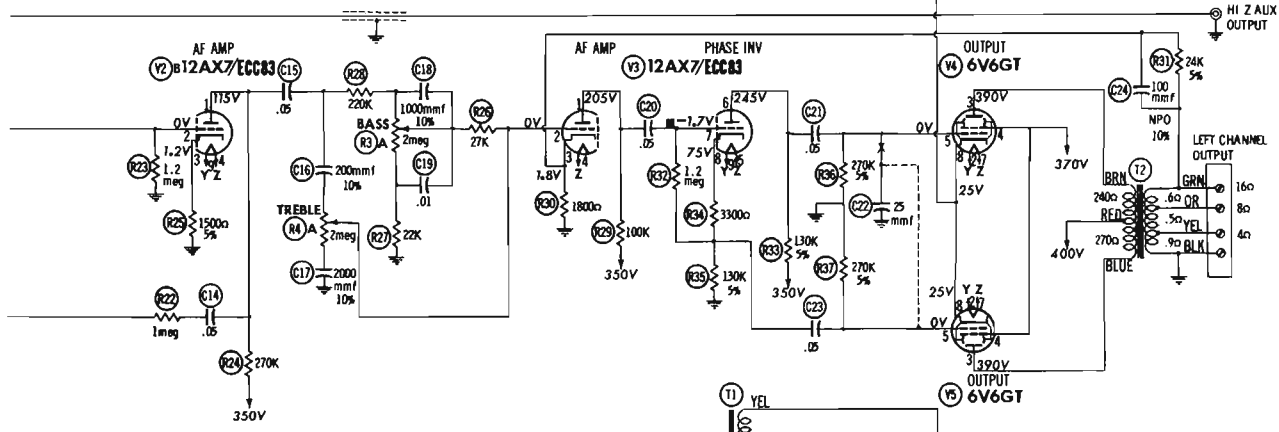
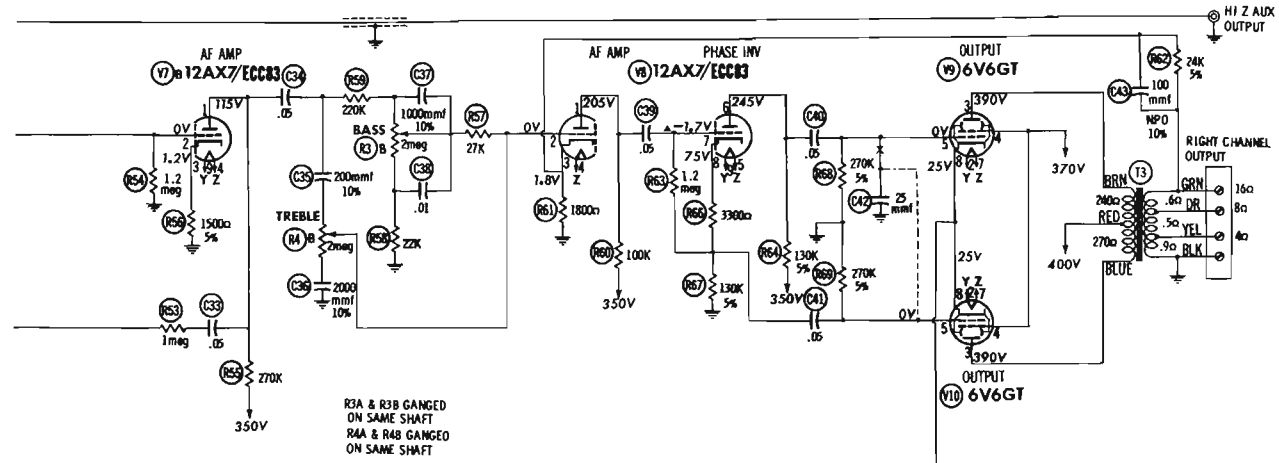
CHASSIS BOTTOM VIEW-RESISTOR IDENTIFICATION



↑ MEASURED FROM PIN 8 OF V11
 = MEASURED FROM PIN 8 OF V3
 * MEASURED FROM PIN 8 OF V8
 NC NO CONNECTION
 TP TIE POINT

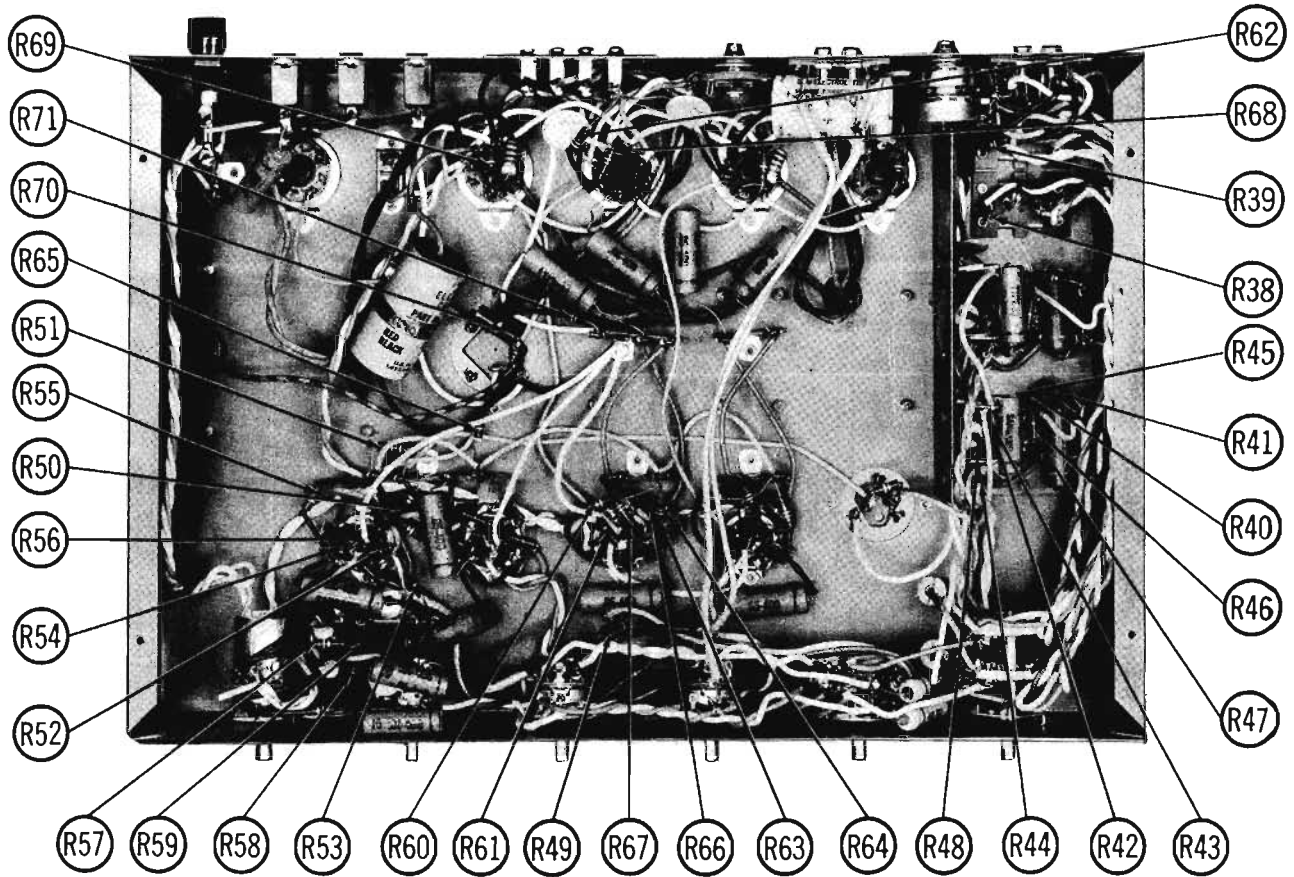
A PHOTOFAC STANDARD NOTATION SCHEMATIC
 Howard W. Sams & Co., Inc. 1958

ITEM	TUBE	Pin 1	Pin 2	Pin 3	Pin 4	Pin 5	Pin 6	Pin 7	Pin 8	Pin 9
V1	12AX7 ECC83	↑ 420K	10meg	0a	15a	30a	↑ 420K	10meg	0a	NC
V2	12AX7 ECC83	↑ 270K	1.2meg	1500a	50a	50a	↑ 150K	0a	1500a	50a
V3	12AX7 ECC83	↑ 100K	8500a	1800a	50a	50a	↑ 130K	1.3meg	130K	50a
V4	6V6GT	0a	50a	↑ 240a	↑ 1500a	270K	TP	50a	30a	
V5	6V6GT	0a	50a	↑ 270a	↑ 1500a	270K	NC	50a	30a	
V6	12AX7 ECC83	↑ 420K	10meg	0a	0a	15a	↑ 420K	10meg	0a	NC
V7	12AX7 ECC83	↑ 270K	1.2meg	1500a	50a	50a	↑ 150K	0a	1500a	50a
V8	12AX7 ECC83	↑ 100K	89K	1600a	50a	50a	↑ 130K	1.3meg	130K	50a
V9	6V6GT	0a	50a	↑ 240a	↑ 1500a	270K	TP	50a	30a	
V10	6V6GT	0a	50a	↑ 270a	↑ 1500a	270K	NC	50a	30a	
V11	5U4G8	NC	20K(MIN)	NC	52a	NC	48a	NC	20K(MIN)	



1. DC voltage measurements taken with vacuum tube voltmeter; AC voltages measured at 1000 ohms per volt.
2. Socket connections are shown as bottom views.
3. Measured values are from socket pin to common negative.
4. Line voltage maintained at 117 volts for voltage readings.
5. Nominal tolerance of component values makes possible a variation of ±15% in voltage and resistance readings.
6. All controls at minimum, proper output load connected.

SEE PARTS LIST FOR ALTERNATE VALUE OR APPLICATION



CHASSIS BOTTOM VIEW-RESISTOR IDENTIFICATION

PARTS LIST AND DESCRIPTIONS

TUBES (GENERAL ELECTRIC, SYLVANIA)

ITEM No.	USE	TYPE	ITEM No.	USE	TYPE
V1	Left Channel Preamp.	12AX7/ECC83 ①	V6	Right Channel Preamp.	12AX7/ECC83 ①
V2	AF Amplifier	12AX7/ECC83	V7	AF Amplifier	12AX7/ECC83
V3	AF Amp. -Phase Inv.	12AX7/ECC83	V8	AF Amp. -Phase Inv.	12AX7/ECC83
V4	Output	6V6GT	V9	Output	6V6GT
V5	Output	6V6GT	V10	Output	6V6GT
			V11	Rectifier	5U4GB

① Some versions may use 12AY7 in this application

ELECTROLYTIC CAPACITORS

ITEM No.	RATING CAP. VOLT.	REPLACEMENT DATA						
		Bell Sound PART No.	AEROVOX PART No.	CORNELL-DUBILIER PART No.	MALLORY PART No.	PYRAMID PART No.	SANGAMO PART No.	SPRAGUE PART No.
C1A	.40	450	AFB3-43-50	C0344	FP376.9	TMT-59	T-165 LMT-4610	TVL-3786
C1B	.40	450						
C1C	.20	450						
C2A	.20	450	AFH2-61	B0400	FP234	TMD-50	D-215	TVL-2756
C2B	.20	450						
C2C	.150	50						
C4	.250	50	① PRB50V150	BR1505	TC495	TD-150-50	MT-15150	TVA-1311
			PRB50V250	BR1505	TC50025	TD-250-50	S-037	TVA-1312

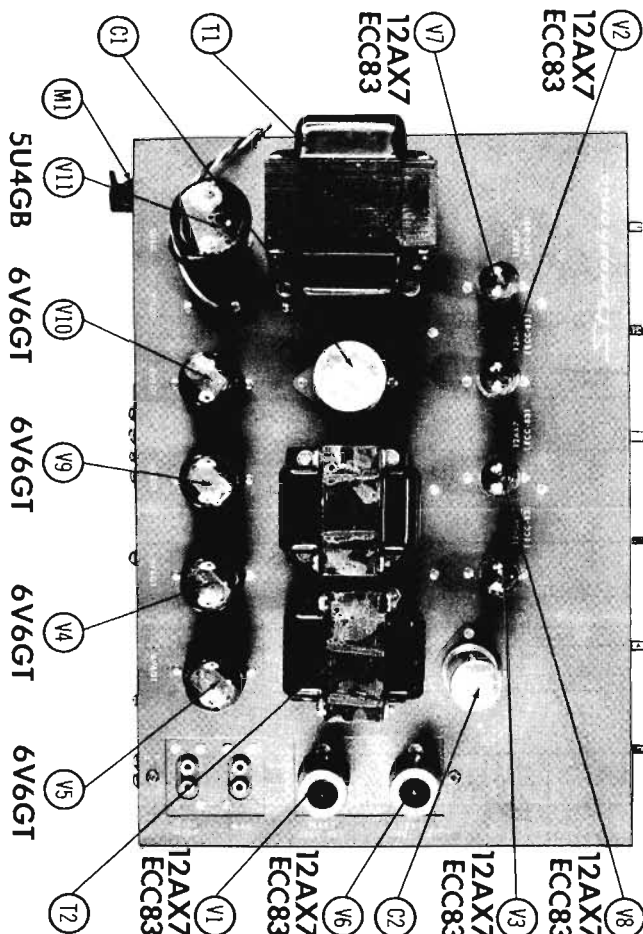
① When C3 is 500µfd, C4 is not used

FIXED CAPACITORS

Capacity values given in the rating column are in mfd. for Paper Capacitors, and in mmfd. for Micro and Ceramic Capacitors.

ITEM No.	RATING CAP. VOLT.	REPLACEMENT DATA							NOTES
		Bell Sound PART No.	AEROVOX PART No.	CORNELL-DUBILIER PART No.	MALLORY PART No.	SPRAGUE PART No.			
C5	.1	200	P288N-1	DF-104	CUB2P1	GEM-201	2TM-P1	10%	
C6	.1	200		DF-104	CUB2P1	GEM-201	2TM-P1		
C7	3000		P488N-01	D6-103	IRSD3	MC9461	M8-23	10%	
C8	.01	400		D6-103	CUB481	GEM-411	4TM-61		
C9	3000		P488N-05	DF-503	IRSD3	MCB461	M8-23	10%	
C10	10000			DF-503	CUB485	GEM-415	4TM-65		
C11	.05	400	BPD-01	DD-103	BYA881	DCS11	5HK-81	10%	
C12	.02	400		P488N-05	DF-503	CUB485	GEM-415		4TM-65
C13	10000		BPD-01	DD-103	BYA881	DCS11	5HK-81	10%	
C14	.05	400		P488N-05	DF-503	CUB485	GEM-415		4TM-65
C15	.05	400	P488N-05	DF-503	CUB485	GEM-415	4TM-65	10%	
C16	200			TCZ-200	LI072	MCB237	M8-32		
C17	2000		P488N-01	D6-103	IRSD1	MCB457	M8-22	10%	
C18	1000			D6-103	CUB481	GEM-411	4TM-61		
C19	.01	400	P488N-05	DF-503	CUB485	GEM-415	4TM-65	10%	
C20	.05	400		DF-503	CUB485	GEM-415	4TM-65		
C21	.05	400	P488N-05	DF-503	CUB485	GEM-415	4TM-65	10%	
C22	.25	400		S125	D6-250	L76Q23	UC-5425		5GA-Q25
C23	.05	400	P488N-05	DF-503	CUB485	GEM-415	4TM-65	10%	
C24	100			NPO-D100	TCZ-100	CI07C	ZT-531		5TCC-T1
C25	.1	200	P288N-1	DF-104	CUB2P1	GEM-201	2TM-P1	NPO 10%	
C26	.1	200	P288N-1	DF-104	CUB2P1	GEM-201	2TM-P1		
C27	.01	400	P488N-01	D6-103	CUB481	GEM-411	4TM-61	10%	
C28	3000			D6-103	CUB481	GEM-411	4TM-61		
C29	10000		BPD-01	DD-103	BYA881	DCS11	5HK-81	10%	
C30	.05	400		P488N-05	DF-503	CUB485	GEM-415		4TM-65
C31	.02	400	BPD-01	DD-103	BYA881	DCS11	5HK-81	10%	
C32	10000			P488N-05	DF-503	CUB485	GEM-415		4TM-65
C33	.05	400	P488N-05	DF-503	CUB485	GEM-415	4TM-65	10%	
C34	.05	400		P488N-05	DF-503	CUB485	GEM-415		4TM-65
C35	200		P488N-01	D6-201	LI072	MCB237	M8-32	10%	
C36	2000			D6-201	IRSD1	MCB255	M8-21		
C37	1000		P488N-01	D6-103	CUB481	GEM-411	4TM-61	10%	
C38	.01	400		D6-103	CUB481	GEM-411	4TM-61		
C39	.05	400	P488N-05	DF-503	CUB485	GEM-415	4TM-65	10%	
C40	.05	400		P488N-05	DF-503	CUB485	GEM-415		4TM-65
C41	.05	400	P488N-05	DF-503	CUB485	GEM-415	4TM-65	10%	
C42	.25	400		S125	D6-250	L76Q25	UC-5425		5GA-Q25
C43	100		NPO-D100	TCZ-100	CI07C	ZT-531	5TCC-T1	NPO 10%	
C44	.05	400		P488N-05	DF-503	CUB485	GEM-415		4TM-65

CHASSIS—TOP VIEW



PARTS LIST AND DESCRIPTIONS (Continued)

CONTROLS

ITEM No.	RATING		REPLACEMENT DATA					INSTALLATION NOTES
	RESISTANCE	WATTS	Bell Sound PART No.	CENTRALAB PART No.	CLAROSTAT PART No.	IRC PART No.	MALLORY PART No.	
R1A	500K	↓	2006P121	B-1041		Q13-133	UR1295	Balance Balance
B	500K		2006P122			M13-133		
R2A	250K	↓					UR1299	Gain, Tap ⊕15K Gain, Tap ⊕15K
B	250K		2006P120			Q13-139	UR1874	
R3A	2meg	↓						Base Base
B	2meg		2006P119			Q13-139	UR1873B	
R4A	2meg	↓						Trebble Trebble
B	2meg					M13-139		
R5A	250K	↓	B2006P123	BB-103	AD47-250K-2	Q13-130		Radio input adjust. Radio input adjust.
B	250K			Not Req.	Not Req.	M13-130		
R6A	100Ω	2(W/W)	B-2006P141	WN101	FE8-1/4	A43-100	RI00L	Hum Balance
B	100Ω			Not Req.	FE8-1/4	Not Req.	Not Req.	

RESISTORS

All wattages 1/2 watt, or less, unless otherwise listed.

ITEM No.	RATING		Bell Sound PART No.	NOTES	ITEM No.	RATING		Bell Sound PART No.	NOTES
	OHMS	WATT				OHMS	WATT		
R7	47K				R40	10meg			
R8	100K				R41	10K			
R9	10meg				R42	100K 5%			
R10	10K				R43	20K 5%			
R11	100K 5%				R44	240K 5%			
R12	20K 5%				R45	24K 5%			
R13	270K 5%				R46	1.5meg			
R14	24K 5%				R47	10meg			
R15	1.5meg				R48	100K			
R16	10meg				R49	15K			
R17	100K				R50	100K			
R18	270K				R51	47K			
R19	15K				R52	15000 5%			
R20	100K				R53	1meg			
R21	15000 5%				R54	1.2meg			
R22	1meg				R55	270K			
R23	1.2meg				R56	15000 5%			
R24	270K				R57	27K			
R25	15000 5%				R58	22K			
R26	27K				R59	220K			
R27	22K				R60	100K			
R28	230K				R61	1800Ω			
R29	100K				R62	24K 5%			
R30	1800Ω				R63	1.2meg			
R31	24K 5%				R64	130K 5%			
R32	1.2meg				R65	4700Ω			
R33	130K 5%				R66	3300Ω			
R34	3300Ω				R67	130K 5%			
R35	130K 5%				R68	270K 5%			
R36	270K 5%				R69	270K 5%			
R37	270K 5%				R70	1500Ω			
R38	47K				R71	470K			
R39	100K								

TRANSFORMER (POWER)

ITEM No.	RATING			REPLACEMENT DATA						
	PRI.	SEC. 1	SEC. 2	Bell Sound PART No.	Halderson PART No.	Merit PART No.	Rom PART No.	Stancor PART No.	Thordarson PART No.	Triad PART No.
T1	117V ⊕1.1A	80VCT ⊕.150A	5V ⊕.3A	B-20373		P-3173		PC8422	22R33	R-16A
	SEC. 3	SEC. 4	SEC. 5							
	8.3V ⊕.3.5A									

PARTS LIST AND DESCRIPTIONS (Continued)

TRANSFORMER (AUDIO OUTPUT)

ITEM No.	IMPEDANCE	REPLACEMENT DATA						NOTES
		Bell Sound PART No.	Halderson PART No.	Merit PART No.	Rom PART No.	Stancor PART No.	Thordarson PART No.	
T2	6500Ω 16Ω Tap CT	B-20374				A-3304	22R33 ⊕	⊕ Tape 250Ω & 500Ω taps
T3	6500Ω 18Ω Tap CT	B20374				A-3304	22R33 ⊕	

FUSES

ITEM No.	TYPE	RATING	REPLACEMENT DATA					
			BELL FUSE		LITTELFUSE		BUSS	
			PART No.	HOLDER	PART No.	HOLDER	PART No.	HOLDER
M1	3AG	2A 250V			313002 (3AG 2A 250V)	342001	AGC2	HXP

MISCELLANEOUS

ITEM No.	PART NAME	Bell Sound PART No.	NOTES
M2	Pilot Lamp		444
M3	Pilot Lamp		444
M4	Switch		Selector (input) (Rotary wafer type)
M5	Switch		Function (Rotary wafer type)

WIRING DATA

General-use Unshielded Hook-up Wire	Use BELDEN No. 8530 (Solid) Available in Ten Colors 8524 (Stranded) Available in Ten Colors
Power Cord	Use BELDEN No. 1765-B (6 Ft. Length) 1725-X (7 Ft. Length)
Low-Loss Shielded Lead (Interconnecting)	Use BELDEN No. 8401
Phono Pick-up Arm Cable	Use BELDEN No. 8430 (Two Conductor - Twisted)



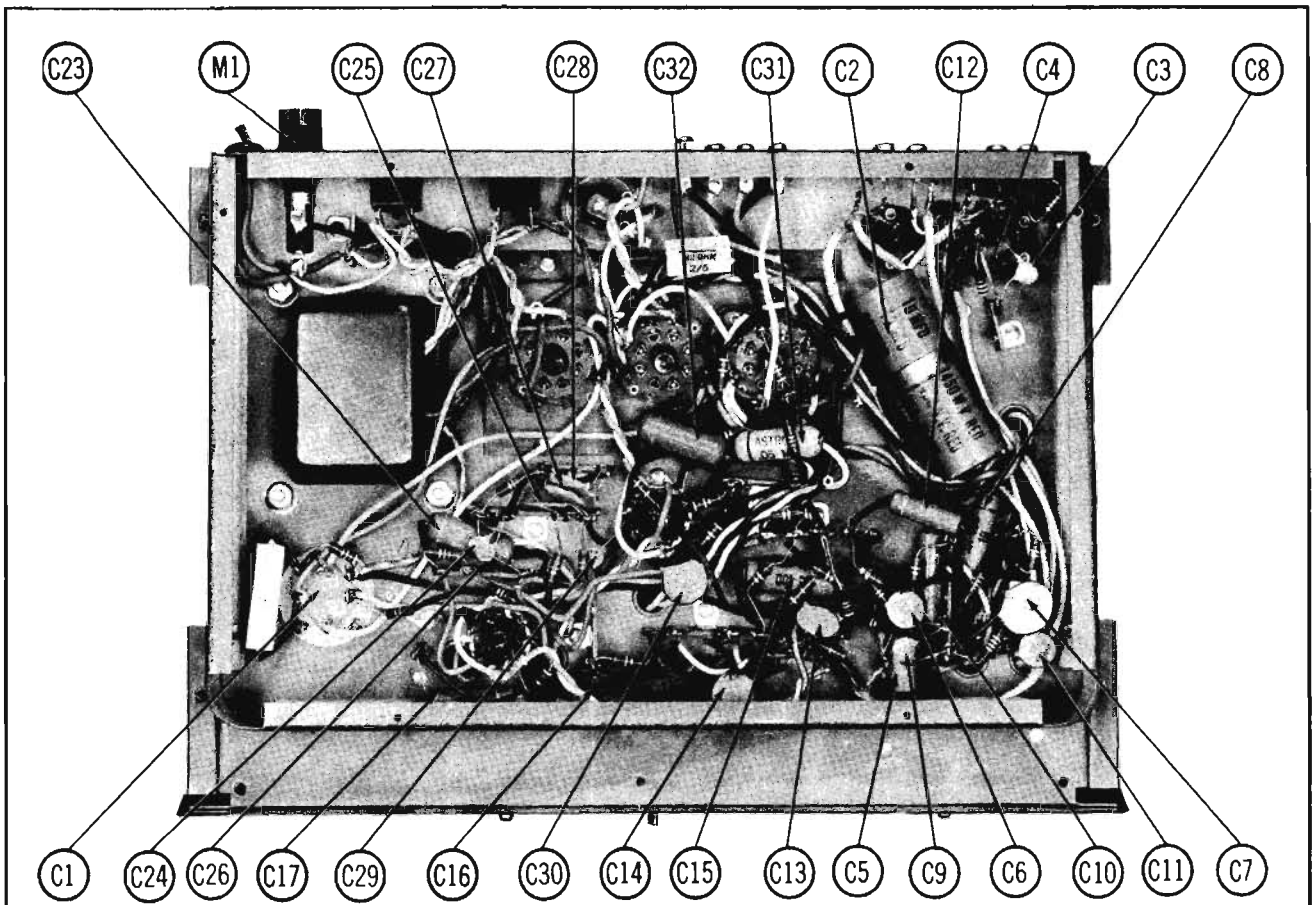
**BELL SOUND
 MODEL 2315**

TRADE NAME	Bell Sound Model 2315	
MANUFACTURER	Bell Sound Systems, Inc., 555 Marlon Road, Columbus 7, Ohio	
TYPE SET	AC Operated 6 Channel 12 Watt Audio Amplifier	
TUBES (Six)	Types 12AX7/ECC83 Phono Preamplifier, 12AX7/ECC83 AF Amplifier, 12AX7/ECC83 AF Amp. - Phase Inv., (2) 6V6GT Output, 5Y3GT Rectifier	
POWER SUPPLY	110-120 Volts AC -60 Cycles	RATING .74 Amp. @ 117 Volts AC (75 Watts)

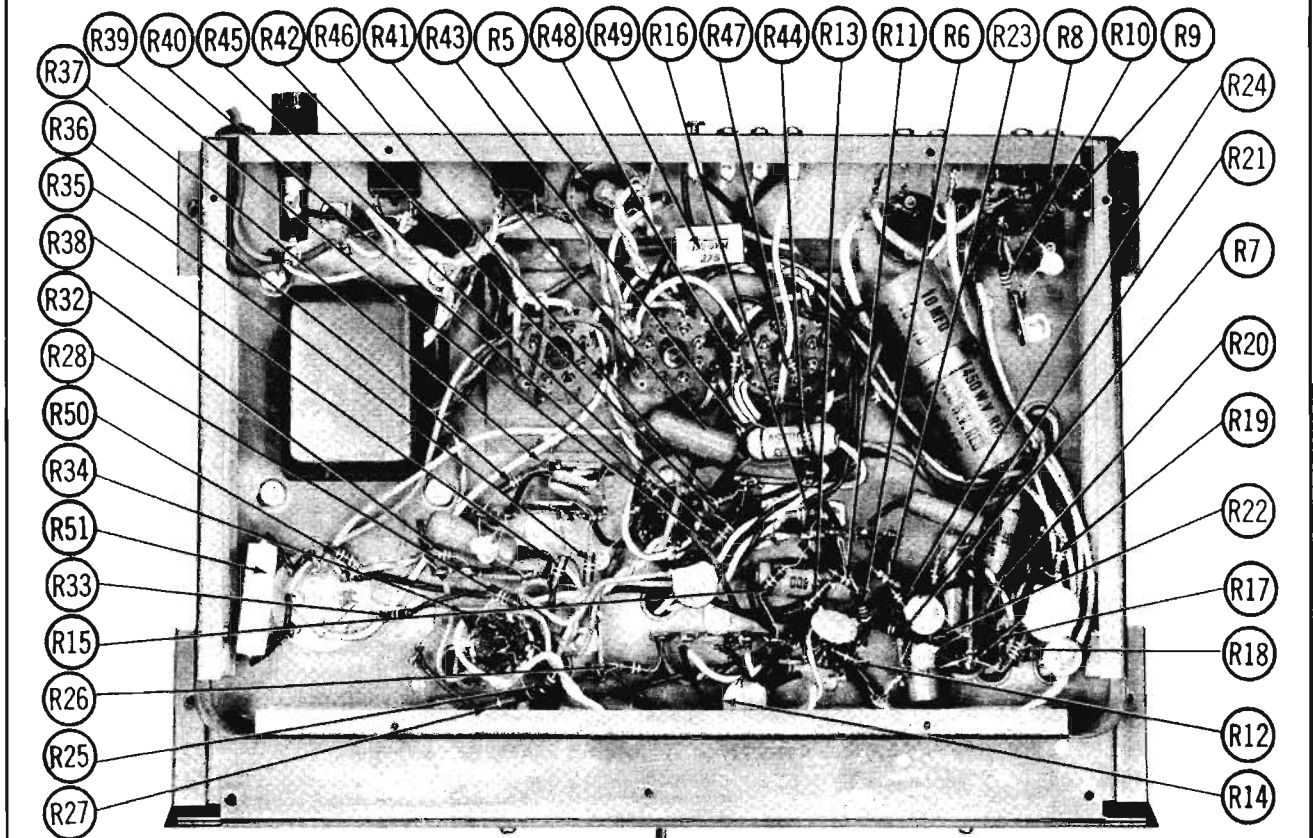
HOWARD W. SAMS & CO., INC. • Indianapolis 5, Indiana

The listing of any available replacement part herein does not constitute in any case a recommendation, warranty or guaranty by Howard W. Sams & Co., Inc., as to the quality and suitability of such replacement part. The numbers of these parts have been compiled from information furnished to Howard W. Sams & Co., Inc., by the manufacturers of H343

the particular type of replacement part listed. Reproduction or use, without express permission, of editorial or pictorial content, in any manner, is prohibited. No patent liability is assumed with respect to the use of the information contained herein. © 1958 Howard W. Sams & Co., Inc., Indianapolis 5, Indiana. Printed in U.S. of America



CHASSIS BOTTOM VIEW CAPACITOR AND MISCELLANEOUS IDENTIFICATION



CHASSIS BOTTOM VIEW-RESISTOR IDENTIFICATION

PARTS LIST AND DESCRIPTIONS

TUBES (GENERAL ELECTRIC, SYLVANIA)

ITEM No.	USE	TYPE	ITEM No.	USE	TYPE
V1	Phono Pre-amplifier	12AX7/ECC83	V4	Output	6V6GT
V2	AF Amplifier	12AX7/ECC83	V5	Output	6V6GT
V3	AF Amp. - Phase Inv.	12AX7/ECC83	V6	Rectifier	5Y3GT

ELECTROLYTIC CAPACITORS

ITEM No.	RATING		REPLACEMENT DATA						
	CAP.	VOLT.	BELL SOUND PART No.	AEROVOX PART No.	CORNELL-DUBILIER PART No.	MALLOY PART No.	PYRAMID PART No.	SANGAMO PART No.	SPRAGUE PART No.
CLA	-40	450							R2555 *
B	15	450							
C	4	450							
D	100	50							
CZA	10	450		PRS450V1010	BBRT11145	TCD72	TDLD-26	MTD-4510	TVA-2722
B	10	450							

* Non Catalog Item

FIXED CAPACITORS

Capacity values given in the rating column are in mfd. for Paper Capacitors, and in mmfd. for Mica and Ceramic Capacitors.

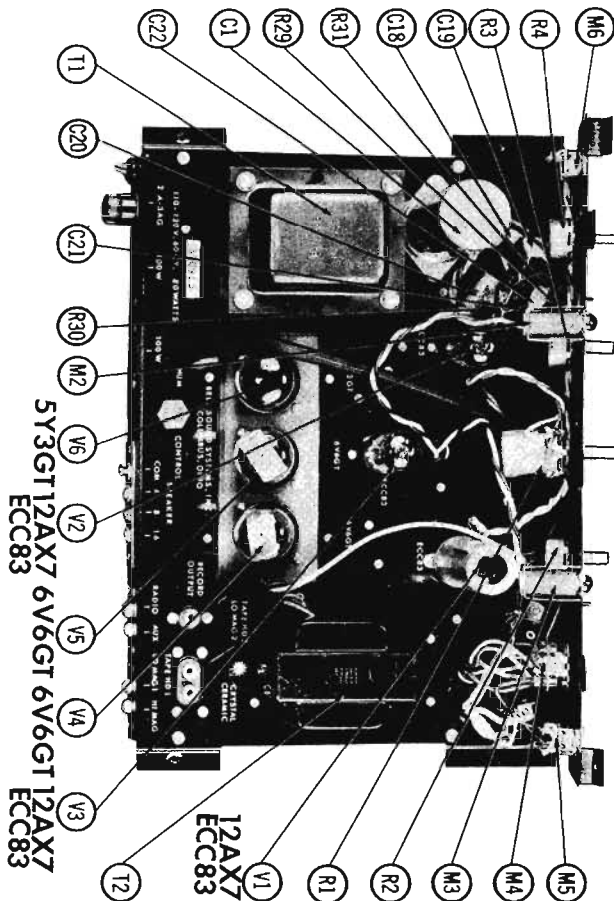
ITEM No.	RATING		REPLACEMENT DATA								NOTES
	CAP.	VOLT.	BELL SOUND PART No.	AEROVOX PART No.	CENTRALAB PART No.	CORNELL-DUBILIER PART No.	ERE PART No.	MALLOY PART No.	SPRAGUE PART No.		
C3	200				TC2-200	L10T2	ED-200	MCB237	MS-32	10%	
C4	68				TC2-68	C10Q8C	TCO-68	GEM-415	5TCC-Q68	10% NPO	
C5	.05	400		NPO-DI 68	DF-503	CUB485			4TM-85		
C6	2400			P488N-05		IR5D24	CY20C242J		MS-224	10%	
C7	5000					IR6D5		MCB465	MS-25	10%	
C8	.01	400						GEM-18L		10%	
C9	470				D6-471	5R5T47	ED-470		MS-324	10%	
C10	.025	400						CY20C242J	MS-224	10%	
C11	2400					IR5D24			MS-224	10%	
C12	.01	400						GEM-18L		10%	
C13	10000			BPD-01	DD-103	BYA6S1	ED-01	DC511	5HK-SI		
C14	10000			BPD-01	DD-103	BYA6S1	ED-01	DC511	5HK-SI		
C15	.05	400		P488N-05	D-503	CUB485		GEM-415	4TM-85		
C16	.1	400		P288N-1	DF-104	CUB2PI		GEM-201	2TM-P1		
C17	.05	400		P488N-05	DF-503	CUB485		GEM-415	4TM-85		
C18	240				D6-241	L10T24	ED-240		MS-324	10%	
C19	2400					IR5D24	CY20C242J		MS-224	10%	
C20	.01	400						GEM-18L		10%	
C21	1000					IR5D1	ED-1000	MCB255	MS-21	10%	
C22	68			NPO-DI 68	TC2-68	C10Q8C	TCO-68		5TCC-Q68	10% NPO	
C23	.1	200		P288N-1	DF-104	CUB2PI		GEM-201	2TM-P1		
C24	470				D6-471	5R5T47	ED-470		MS-347	10%	
C26	10000			BPD-01	DD-103	BYA6S1	ED-01	DC511	5HK-SI		
C26	470				D6-471	5R5T47	ED-470		MS-347	10%	
C27	10000			BPD-01	DD-103	BYA6S1	ED-01	DC511	5HK-SI		
C28	10000			BPD-01	DD-103	BYA6S1	ED-01	DC511	5HK-SI		
C29	270				D6-271	L10T27	ED-270		MS-327		
C30	10000			BPD-01	DD-103	BYA6S1	ED-01	DC511	5HK-SI		
C31	.05	400		P488N-05	DF-503	CUB485		GEM-415	4TM-85	10%	
C32	.05	400		P488N-05	DF-503	CUB485		GEM-415	4TM-85	10%	

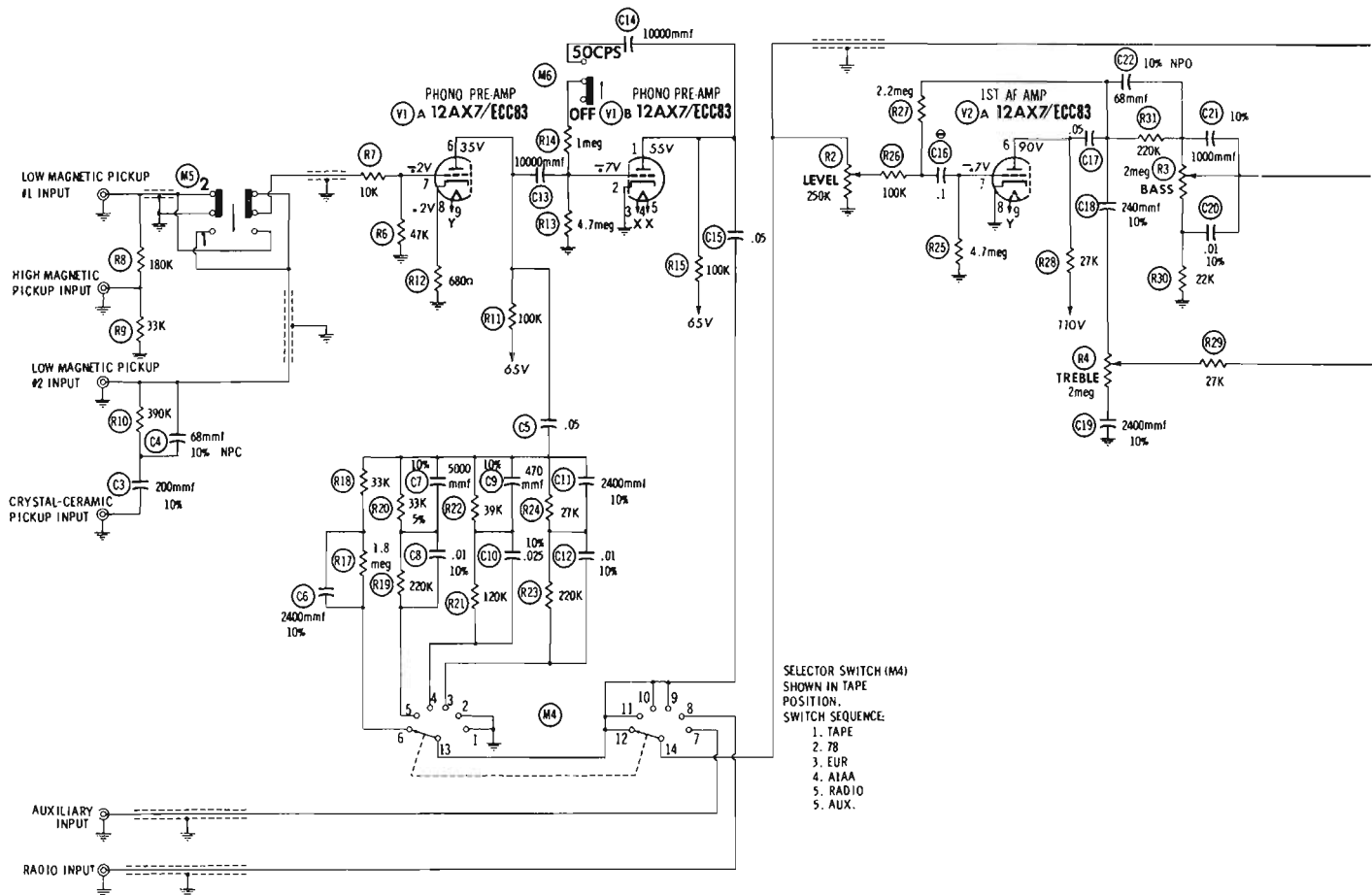
Note 1. Some versions may use .01mfd in this application.

CONTROLS

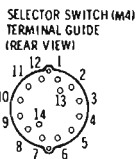
ITEM No.	RATING		REPLACEMENT DATA					INSTALLATION NOTES	
	RESISTANCE	WATTS	BELL SOUND PART No.	CENTRALAB PART No.	CLAROSTAT PART No.	IRC PART No.	MALLOY PART No.		
RIA	150K			B-20068184					Loudness, Tap @ 100K & 150K
B	Switch								Level
R2A	200K			B-20068P102	B-0	A47-250K-S	Q11-130	U46	Not Req.
B	Shaft				Not Req.	FS-3	Not Req.	U56	Not Req.
R3A	200K			B-20068P100	B-70	A47-2meg-Z	Q13-130	U56	Not Req.
B	Shaft				Not Req.	FS-3	Not Req.	U56	Not Req.

CHASSIS—TOP VIEW





SELECTOR SWITCH (M4)
SHOWN IN TAPE
POSITION.
SWITCH SEQUENCE:
1. TAPE
2. 78
3. EUR
4. A1AA
5. RADIO
6. AUX.



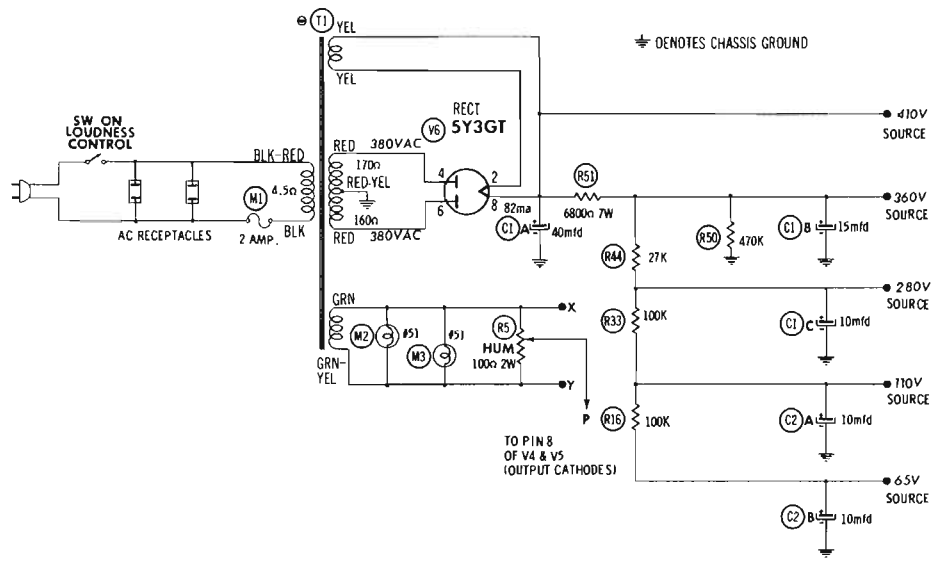
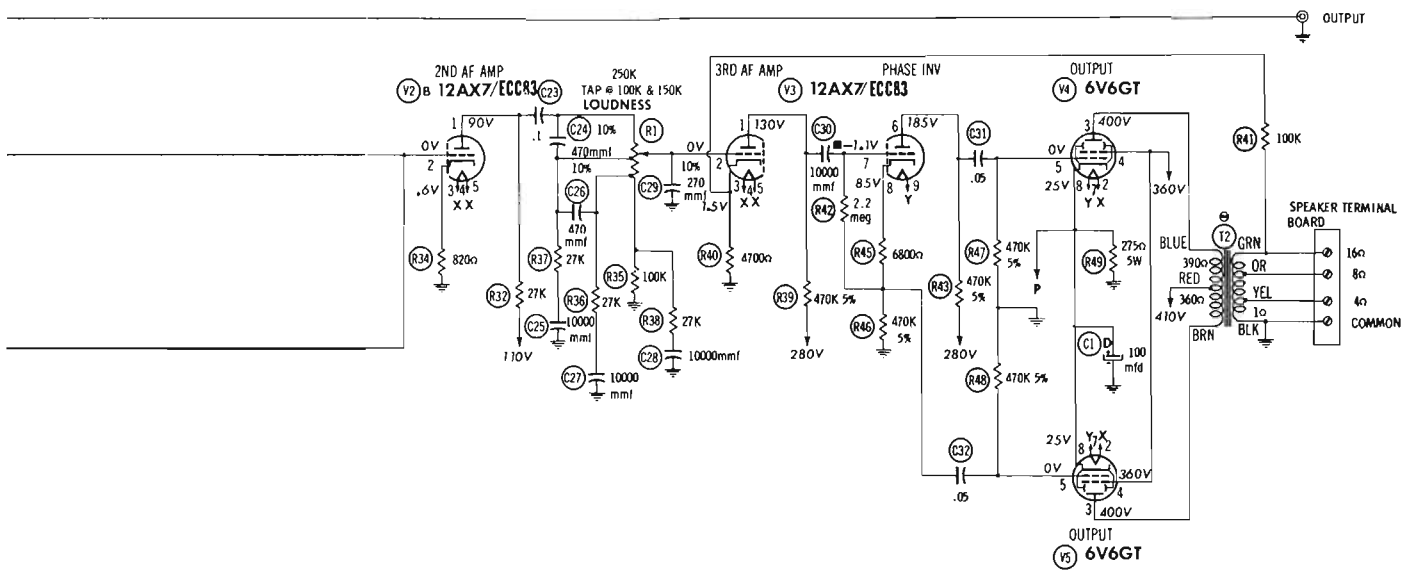
1. DC voltage measurements taken with vacuum tube voltmeter; AC voltages measured at 1000 ohms per volt.
2. Socket connections are shown as bottom views.
3. Measured values are from socket pin to common negative.
4. Line voltage maintained at 117 volts for voltage readings.
5. Nominal tolerance of component values makes possible a variation of ±15% in voltage and resistance readings.
6. All controls at minimum, proper output load connected.

SEE PARTS LIST FOR ALTERNATE VALUE OR APPLICATION

RESISTANCE READINGS

ITEM	TUBE	Pin 1	Pin 2	Pin 3	Pin 4	Pin 5	Pin 6	Pin 7	Pin 8	Pin 9
V1	12AX7 ECC83	† 330K	4.7meg	0Ω	300Ω	300Ω	† 330K	47K	680Ω	300Ω
V2	12AX7 ECC83	† 160K	22K	820Ω	300Ω	300Ω	† 160K	4.7meg	0Ω	300Ω
V3	12AX7 ECC83	† 500K	100K	4200Ω	300Ω	300Ω	† 500K	2.7meg	470K	300Ω
V4	6V6GT	TP	300Ω	† 390Ω	† 6800Ω	470K	TP	300Ω	275Ω	
V5	6V6GT	TP	300Ω	† 360Ω	† 6800Ω	470K	NC	300Ω	275Ω	
V6	5Y3GT	NC	20K(1M)Ω	NC	170Ω	NC	160Ω	NC	20K(1M)Ω	

† MEASURED FROM PIN 8 OF V6
‡ MEASURED FROM PIN 8 OF V3
NC NO CONNECTION
TP TIE POINT



PARTS LIST AND DESCRIPTIONS (Continued)

CONTROLS (cont)

ITEM No.	RATING		REPLACEMENT DATA					INSTALLATION NOTES
	RESIST-ANCE	WATTS	BELL SOUND PART No.	CENTRALAB PART No.	CLAROSTAT PART No.	IRC PART No.	MALLORY PART No.	
R4A B R5A B	2meg Shaft 100Ω Shaft	1 2	B-20066P159 B-20066P141	B-76 Not Req. WN-101 Not Req.	A47-2meg-Z FB-3 A43-100 FKS-1/4	Q13-139 Not Req.	U55 Not Req. C100P * Not Req.	Treble Hum (Wire Wound)

* Use #203 & #212 Fiber Insulating Washers.

RESISTORS

All wattages 1/2 watt, or less, unless otherwise listed.

ITEM No.	RATING		BELL SOUND PART No.	NOTES	ITEM No.	RATING		BELL SOUND PART No.	NOTES
	OHMS	WATT				OHMS	WATT		
R6	47K				R20	27K			
R7	10K				R30	22K			
R8	180K				R31	220K			
R9	33K				R32	27K			
R10	390K				R33	100K			
R11	100K				R34	520Ω			
R12	880Ω				R35	100K			
R13	4.7meg				R36	27K			
R14	1meg				R37	27K			
R15	100K				R38	27K			
R16	100K				R39	470K 5%			
R17	1.8meg				R40	4700Ω			
R18	33K				R41	100K			
R19	220K				R42	2.2meg			
R20	33K 5%				R43	470K 5%			
R21	120K				R44	27K			
R22	39K				R45	8800Ω			
R23	220K				R46	470K 5%			
R24	27K				R47	470K 5%			
R25	4.7meg				R48	470K 5%			
R26	100K				R49	275Ω	5		
R27	2.2meg				R50	470K			
R28	27K				R51	6800Ω	7		

TRANSFORMER (POWER)

ITEM No.	RATING			REPLACEMENT DATA						
	PRI.	SEC. 1	SEC. 2	BELL SOUND PART No.	Hollderson PART No.	Merit PART No.	Ram PART No.	Stancor PART No.	Thorderson PART No.	Triod PART No.
	T1	117V ① .74A	740VCT ② .082A	5V ③ 2A	B20388 ①	P9311 ②			PM6409 ③	24R04 ④
	SEC. 3	SEC. 4	SEC. 5							
	6.3V ⑥ 2.2A									

① Part #B20388 used for 50% operation.

② Tape center tap on 6.3V winding.

PARTS LIST AND DESCRIPTIONS (Continued)

TRANSFORMER (AUDIO OUTPUT)

ITEM No.	IMPEDANCE		REPLACEMENT DATA						NOTES
	BELL SOUND PART No.	Hollderson PART No.	Merit PART No.	Ram PART No.	Stancor PART No.	Thorderson PART No.	Triod PART No.		
T2	7800Ω CT	16Ω Tap ① 8Ω, 4Ω	32B8 ①						① Alternate Part #B20370

FUSES

ITEM No.	TYPE	RATING	REPLACEMENT DATA					
			BELL SOUND PART No.		LITTELFUSE PART No.		BUSS PART No.	
			FUSE	HOLDER	FUSE	HOLDER	FUSE	HOLDER
M1	3AG	2A 250V			312002. (SAG 2A 250V)	342001	AGC2	BKP

MISCELLANEOUS

ITEM No.	PART NAME	BELL SOUND PART No.	NOTES
M2	Pilot Lamp		#51
M3	Pilot Lamp		#51
M4	Switch		Selector (Rotary Water Type)
M5	Switch		Input (Slide Type DPDT)
M6	Switch		Filter (Slide Type DPDT)

WIRING DATA

General-use Unshielded Hook-up Wire	Use BELDEN No. 8530 (Solid) Available in Ten Colors 8524 (Stranded) Available in Ten Colors
Power Cord	Use BELDEN No. 1765-B (6 Ft. Length) 1725-K (7½ Ft. Length)
Low-Loss Shielded Lead (Interconnecting).....	Use BELDEN No. 8401
Phono Pick-up Arm Cable	Use BELDEN No. 8430 (Two Conductor - Twisted)



**CHALLENGER
MODELS CHA33, CHA33Y**

TRADE NAME	Challenger Models CHA33, CHA33Y	
MANUFACTURER	Challenger Amplifier Co., P. O. Box 500, Paramus, N. J.	
TYPE SET	AC Operated 3 Channel 33 Watt Audio Amplifier (Model CHA33Y has 3 Speed Manual Record Player)	
TUBES (Seven)	Types 12AX7/ ECC83 Mic 1-Mic 2 Preamplifier, 6AV6 Mixer, 12AX7/ ECC83 AF Amp. -Phase Inv., (2) 6L6GB Output, (2) 5Y3GT Rectifier	
POWER SUPPLY	110-120 Volt AC-60 Cycle	RATING 1.1 Amp. @ 117 Volt AC (120Watts)

HOWARD W. SAMS & CO., INC. • Indianapolis 5, Indiana

The listing of any available replacement part herein does not constitute in any case a recommendation, warranty or guaranty by Howard W. Sams & Co., Inc., as to the quality and suitability of such replacement part. The numbers of these parts have been compiled from information furnished to Howard W. Sams & Co., Inc., by the manufacturers of H329

the particular type of replacement part listed. Reproduction or use, without express permission, of editorial or pictorial content, in any manner, is prohibited. No patent liability is assumed with respect to the use of the information contained herein. © 1958 Howard W. Sams & Co., Inc., Indianapolis 5, Indiana. Printed in U.S. of America

PARTS LIST AND DESCRIPTIONS

TUBES (GENERAL ELECTRIC, SYLVANIA)

ITEM No.	USE	TYPE	ITEM No.	USE	TYPE
V1	Mic 1-Mic 2 Preamplifier	12AX7/ECC83	V5	Output	6L6GB
V2	Mixer	6AV6	V6	Rectifier	5Y3GT
V3	A.F. Amp. -Phase Inv.	12AX7/ECC83	V7	Rectifier	5Y3GT
V4	Output	6L6GB			

ELECTROLYTIC CAPACITORS

ITEM No.	RATING		REPLACEMENT DATA						
	CAP.	VOLT.	CHALLENGER PART No.	AEROVOX PART No.	CORNELL-DUBILIER PART No.	MALLOY PART No.	PYRAMID PART No.	SANGAMO PART No.	SPRAGUE PART No.
C1	16	500		AFH-59	BR850		TMD-61	D-270	TVL-1980
C2A	5	450		AFH-09	D0680	WP433.6	TMQ-3	Q-03T	TVL-4759.7
B	5	450							
C	5	450							
D	5	450							
C3	50	50		PR550V50	BR505	TC39	TD-50-50	MT-0550	TVA-1308

FIXED CAPACITORS

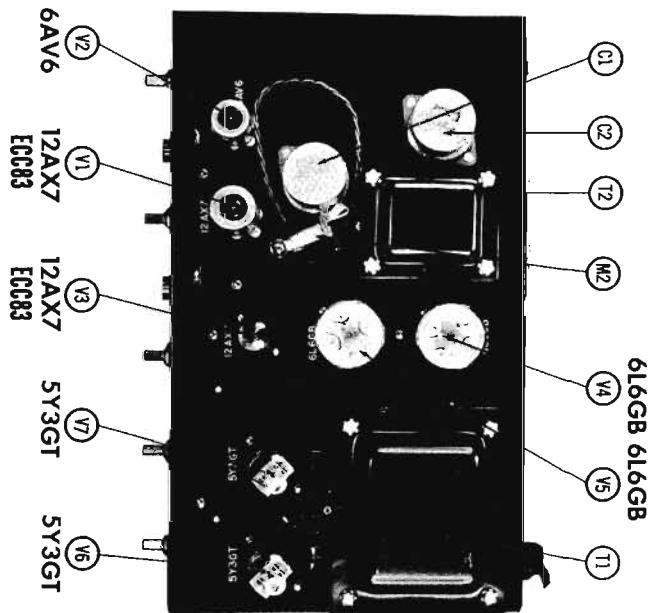
Capacity values given in the rating column are in mfd. for Paper Capacitors, and in mmfd. for Mica and Ceramic Capacitors.

ITEM No.	RATING		REPLACEMENT DATA							NOTES
	CAP.	VOLT	CHALLENGER PART No.	AEROVOX PART No.	CENTRALAB PART No.	CORNELL-DUBILIER PART No.	ERIE PART No.	MALLOY PART No.	SPRAGUE PART No.	
C4	.033	200		P288N-033	DF-303	CUB833		GEM-4133	6TM-333	
C5	.033	400		P488N-033	DF-303	CUB833		GEM-4133	6TM-333	
C6	.033	200		P288N-033	DF-303	CUB833		GEM-4133	6TM-333	
C7	.033	400		P488N-033	DF-303	CUB833		GEM-4133	6TM-333	
C8	.1	400		P488N-1	DF-104	CUB41		GEM-401	4TM-P1	
C9	270				D6-271	BR5T27	ED-270	MS-327		10%
C10	2200					IR5D22	CY20C222K	MS-222		10%
C11	1000					IR5D1	ED-1000	MS-21		10%
C12	.0056	200			D6-562		GP-5600			
C13	.033	200		P288N-033	DF-303	CUB833		GEM-4133	6TM-333	
C14	15000			BFD-015	DD16-153	BYA10815	ED-015	58K-315		
C15	.033	400		P488N-033	DF-303	CUB833		GEM-4133	6TM-333	
C16	.033	400		P488N-033	DF-303	CUB833		GEM-4133	6TM-333	
C17	2200					IR5D22	CY20C222K	MS-222		10%

CONTROLS

ITEM No.	RATING		REPLACEMENT DATA					INSTALLATION NOTES
	RESISTANCE	WATTS	CHALLENGER PART No.	CENTRALAB PART No.	CLAROSTAT PART No.	IRC PART No.	MALLOY PART No.	
R1A	2meg	1/2	V417	B-76	A47-2meg-Z	Q13-139	U55	Treble
B	Shaft			Not Req.	FS-3	Not Req.	Not Req.	
C	Switch			KB-1	SWE-12	78-1	U8-26	
R2A	2meg	1/2	V413	B-76	A47-2meg-Z	Q13-139	U55	Bass
B	Shaft			Not Req.	FS-3	Not Req.	Not Req.	
R3A	500K	1/2	V367	B-60	A47-500K-Z	Q13-133	U48	Phono
B	Shaft			Not Req.	FS-3	Not Req.	Not Req.	
R4A	500K	1/2	V367	B-60	A47-500K-Z	Q13-133	U48	Microphone 2
B	Shaft			Not Req.	FS-3	Not Req.	Not Req.	
R5A	500K	1/2	V367	B-60	A47-500K-Z	Q13-133	U48	Microphone 1
B	Shaft			Not Req.	FS-3	Not Req.	Not Req.	

CHASSIS—TOP VIEW



PARTS LIST AND DESCRIPTIONS (Continued)

RESISTORS

All wattages 1/2 watt, or less, unless otherwise listed.

ITEM No.	RATING		CHALLENGER PART No.	NOTES	ITEM No.	RATING		CHALLENGER PART No.	NOTES
	OHMS	WATT				OHMS	WATT		
R6	3.3meg				R22	83K			
R7	220K				R23	100K	1		
R8	3.3meg				R24	470K			
R9	220K				R25	220K			
R10	220K				R26	10K			
R11	220K				R27	2200Ω	1		
R12	270K				R28	220K			
R13	220K				R29	47K			
R14	470Ω				R30	5000Ω	7		
R15	220K				R31	15K	10		
R16	100K				R32	225Ω	7		
R17	33K				R33	270K			
R18	47K				R34	2200Ω	2		
R19	220K				R35	48Ω			
R20	220K				R36	.68Ω			
R21	390Ω				R37	47Ω			

TRANSFORMER (POWER)

ITEM No.	RATING				REPLACEMENT DATA					
	PRI.	SEC. 1	SEC. 2	SEC. 3	CHALLENGER PART No.	Haldorson PART No.	Merit PART No.	Sonorco PART No.	Thorndorson PART No.	Triod PART No.
T1	117V ①1.1A	800VCT ②.130A	5V ③.4A	6.3VCT ④2.8A	T385-2					R-24B

TRANSFORMER (AUDIO OUTPUT)

ITEM No.	IMPEDANCE	REPLACEMENT DATA					NOTES	
		CHALLENGER PART No.	Haldorson PART No.	Merit PART No.	Sonorco PART No.	Thorndorson PART No.		Triod PART No.
T2	8000Ω CT	PRI. SEC. 1	T279-1					
		SEC. 2						
		150Vtap ② 8Ω & 4Ω						

FUSES

ITEM No.	TYPE	RATING	REPLACEMENT DATA					
			CHALLENGER PART No.		LITTELFUSE PART No.		BUSS PART No.	
			FUSE	HOLDER	FUSE	HOLDER	FUSE	HOLDER
M1	SAG	2A 250V 8/B			313002, (SAG 2A 250V 8/B)	342001	MDL2	80KP

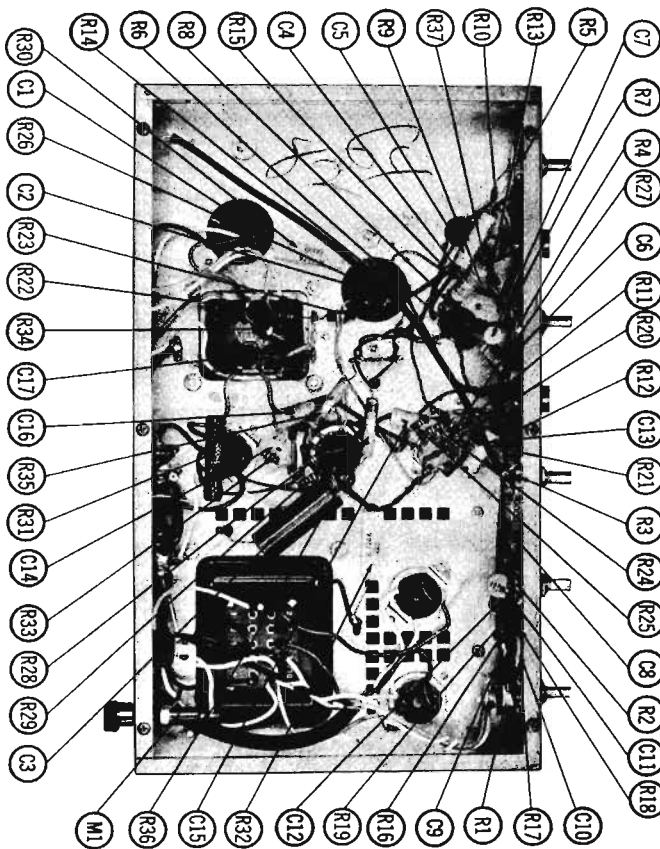
MISCELLANEOUS

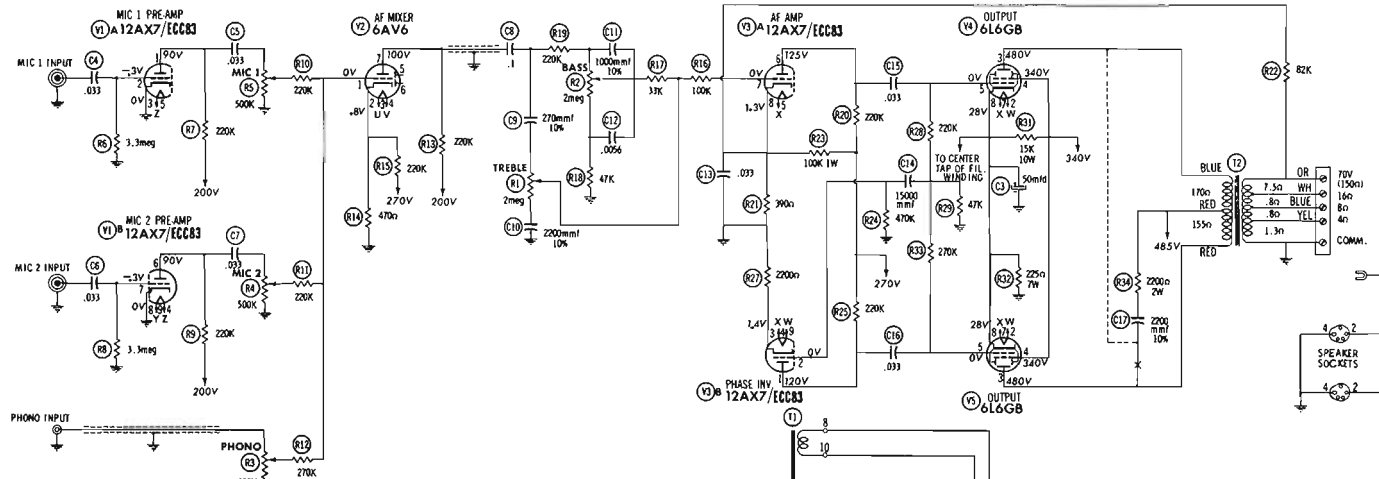
ITEM No.	PART NAME	CHALLENGER PART No.	NOTES
M2	Pilock Lamp		#51

WIRING DATA

General-use Unshielded Hook-up Wire	Use BELDEN No. 8630 (Solid) Available in Ten Colors 8634 (Stranded) Available in Ten Colors
Power Cord	Use BELDEN No. 1786-B (6 Ft. Length) 1786-K (7 1/2 Ft. Length)
Low-Loss Shielded Lead (Interconnecting)	Use BELDEN No. 8401
Phone Pick-up Arm Cable	Use BELDEN No. 8430 (Two Conductor - Twisted)

CHASSIS—BOTTOM VIEW





- DC voltage measurements taken with vacuum tube voltmeter; AC voltages measured at 1000 ohms per volt.
- Socket connections are shown as bottom views.
- Measured values are from socket pin to common negative.
- Line voltage maintained at 117 volts for voltage readings.
- Nominal tolerance of component values makes possible a variation of $\pm 15\%$ in voltage and resistance readings.
- All controls at minimum, proper output load connected.

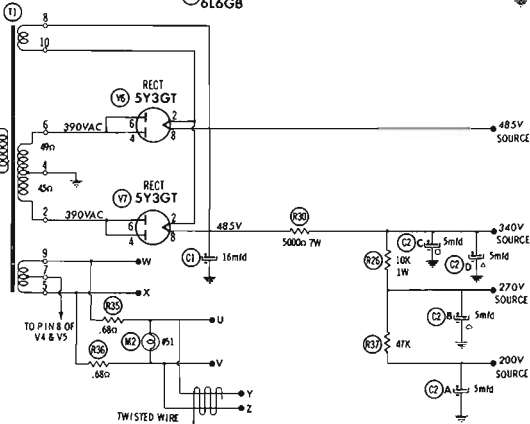
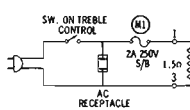
RESISTANCE READINGS

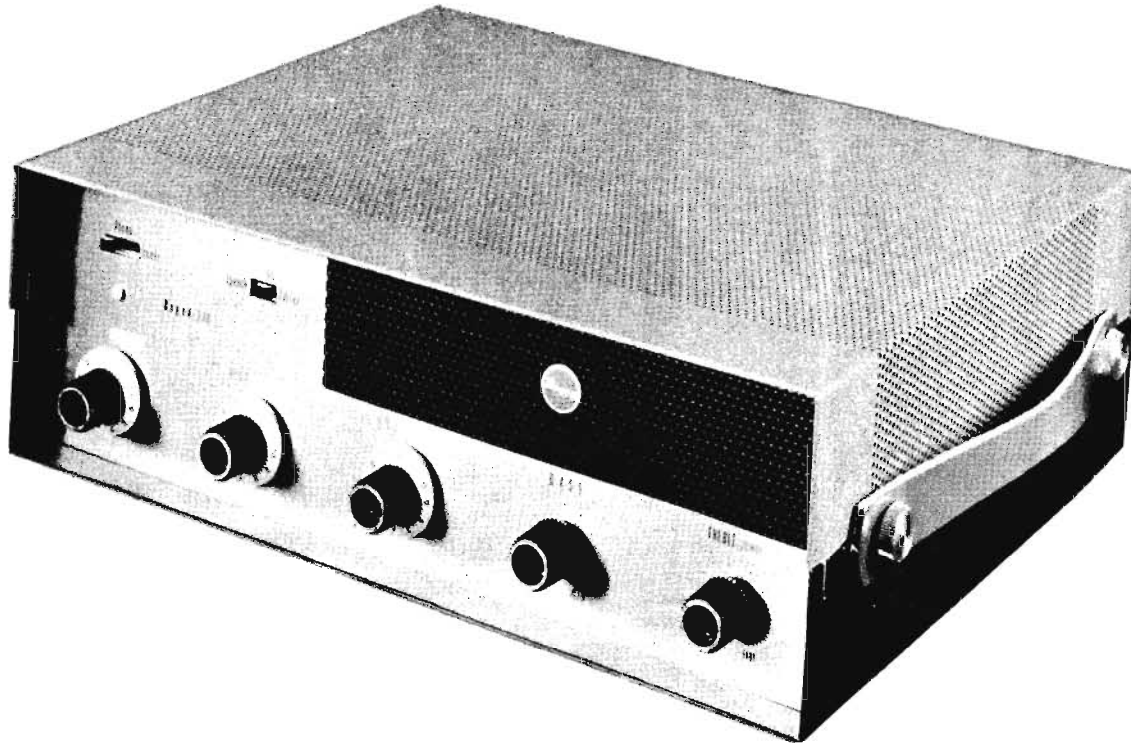
ITEM	TUBE	Pin 1	Pin 2	Pin 3	Pin 4	Pin 5	Pin 6	Pin 7	Pin 8	Pin 9
V1	12AX7/ECC83	1.280K	3.3meg	0n	225n	225n	1.280K	3.3meg	0n	225n
V2	6AV6	70K	470n	225n	225n	NC	NC	1.280K		
V3	12AX7/ECC83	1.275K	470K	2200n	225n	225n	1.275K	180K	390n	225n
V4	6L6GB	TP	225n	1.170n	1.5000n	220K	NC	225n	225n	
V5	6L6GB	NC	225n	1.175n	1.5000n	270K	NC	225n	225n	
V6	5Y3GT	NC	20K(min)	NC	45n	NC	45n	NC	20K(min)	
V7	5Y3GT	NC	20K(min)	NC	40n	NC	40n	NC	20K(min)	

† MEASURED FROM PIN 8 OF V7

NC NO CONNECTION

TP TIE POINT





**DAVID BOGEN
 MODEL L60**

TRADE NAME	David Bogen Model L60	
MANUFACTURER	David Bogen Co., Inc. P. O. Box 500, Paramus, N. J.	
TYPE SET	AC Operated 8 Channel 80 Watt Audio Amplifier	
TUBES	Twelve	
POWER SUPPLY	110-120 Volts AC-60 Cycle	RATING 1.1 Amp. @ 117 Volts AC (130 Watts)

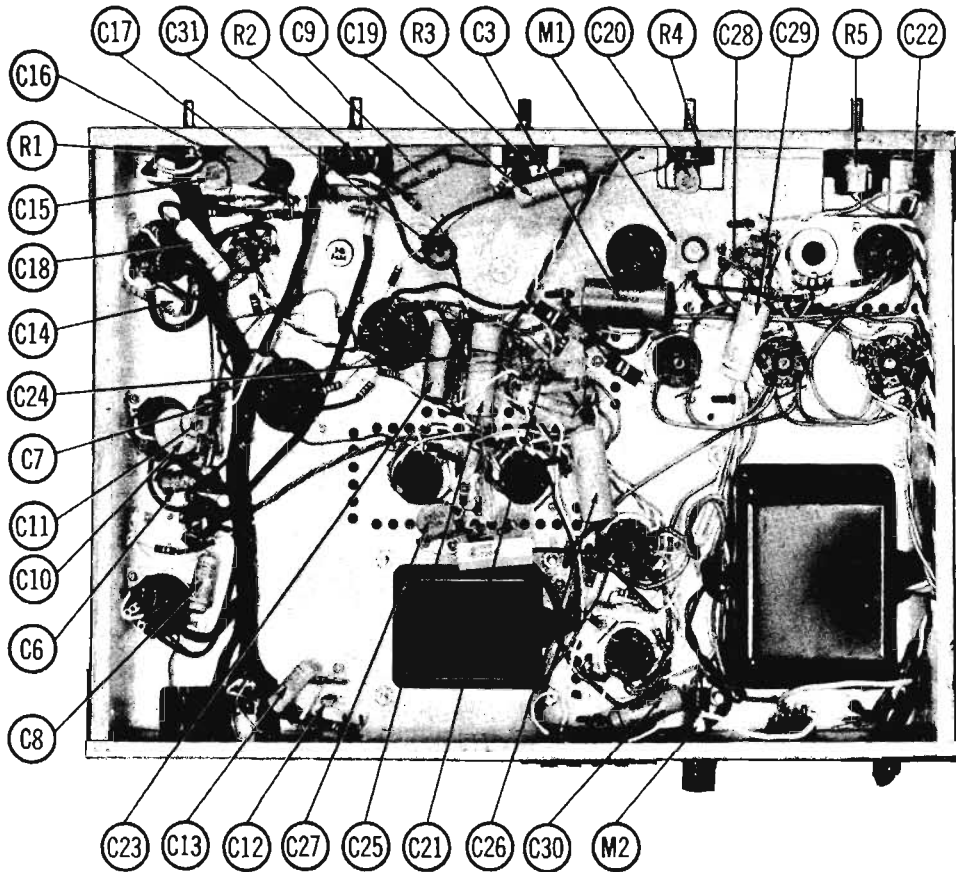
VOLTAGE REGULATOR ADJUSTMENT (R6)

- The voltage regulator (R6) should be adjusted if V5, V6, V7, V8 or V9 tubes are replaced.
1. Set "Volt Reg." Control (R6) and volume controls (R1, R2, R3) at minimum. Allow the amplifier to warm up for four minutes.
 2. Using an accurate low range DC voltmeter, connect the positive lead to terminal 1 of the "CUR MON" test strip. Connect the negative lead to ground.
 3. Turn the voltage regulator (R6) for a SLIGHT meter deflection. Measure the voltage at terminals 1, 2, 3, and 4 on the "CUR MON" strip. Keep the meter connected to that terminal which measures the highest voltage.
 4. Turn the voltage regulator (R6) until the meter indicates .25 volt.

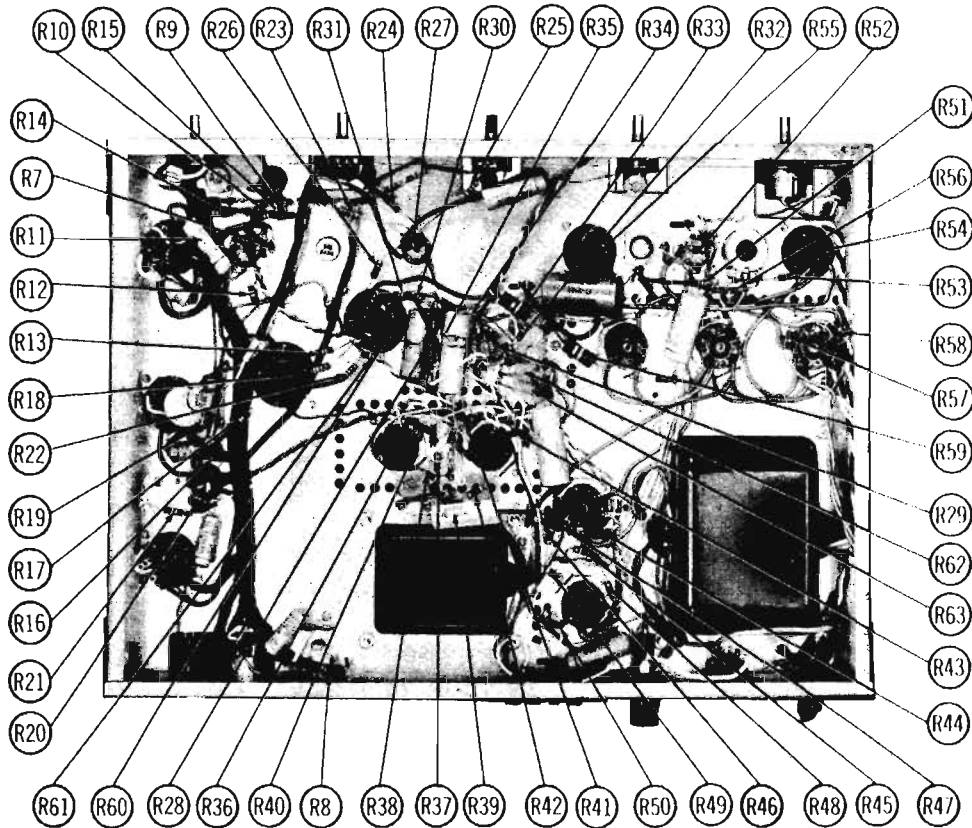
HOWARD W. SAMS & CO., INC. • Indianapolis 5, Indiana

The listing of any available replacement part herein does not constitute in any case a recommendation, warranty or guaranty by Howard W. Sams & Co., Inc., as to the quality and suitability of such replacement part. The numbers of these parts have been compiled from information furnished to Howard W. Sams & Co., Inc., by the manufacturers of H313

the particular type of replacement part listed. Reproduction or use, without express permission, of editorial or pictorial content, in any manner, is prohibited. No patent liability is assumed with respect to the use of the information contained herein. © 1958 Howard W. Sams & Co., Inc., Indianapolis 5, Indiana. Printed in U.S. of America



CHASSIS BOTTOM VIEW-CAPACITOR IDENTIFICATION



CHASSIS BOTTOM VIEW-RESISTOR IDENTIFICATION

PARTS LIST AND DESCRIPTIONS TUBES (GENERAL ELECTRIC, SYLVANIA)

ITEM No.	USE	TYPE	ITEM No.	USE	TYPE
V1	Mic 1-Tuner-Phono Preamp.	12AX7/ ECC83	V7	Output	6AV5GA
V2	Mic 2-Mic3 Preampifier	12AX7/ ECC83	V8	Output	6AV5GA
V3	AF Amplifier	6AV6	V9	Volt. Reg. -Reg. Cont.	6CM7
V4	AF Amp. -Phase Inv.	6U8	V10	Rectifier	5Y3GT
V5	Output	6AV5GA	V11	Rectifier	5Y3GT
V6	Output	6AV5GA	V12	Rectifier	5Y3GT

ELECTROLYTIC CAPACITORS

ITEM No.	RATING		REPLACEMENT DATA						
	CAP.	VOLT.	DAVID BOGEN PART No.	AEROVOX PART No.	CORNELL-DUBILIER PART No.	MALLORY PART No.	PYRAMID PART No.	SANGAMO PART No.	SPRAGUE PART No.
C1	30	400		A FH1-51	A0470	FP145	TMS-56	S-285	TVL-1720
C2	30	400		A FH1-51	A0470	FP145	TMS-56	S-285	TVL-1720
C3	50	100		PR3190V50	BR5015	TC49	TD-50-150	MT-1550	TVA-1414
C4A	5	200		A FH4-09	D0080	WP433. 8	TMQ-9	Q-027	TVL-4769. 7
B	5	200							
C	5	200							
D	5	200							
C5A	10	350		AFH4-19-10	D0179. 3	FP474. 5	TMQ-113	Q-035	TVL-4826
B	10	350							
C	20	450							
D	20	450							

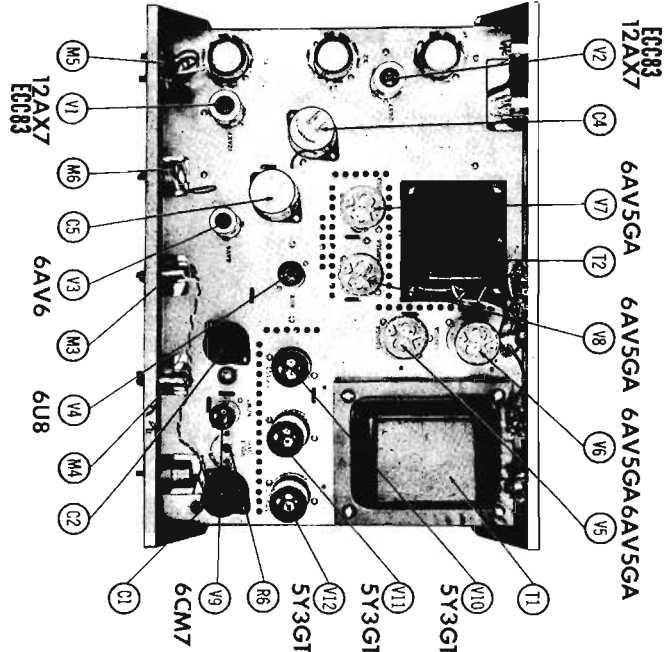
FIXED CAPACITORS

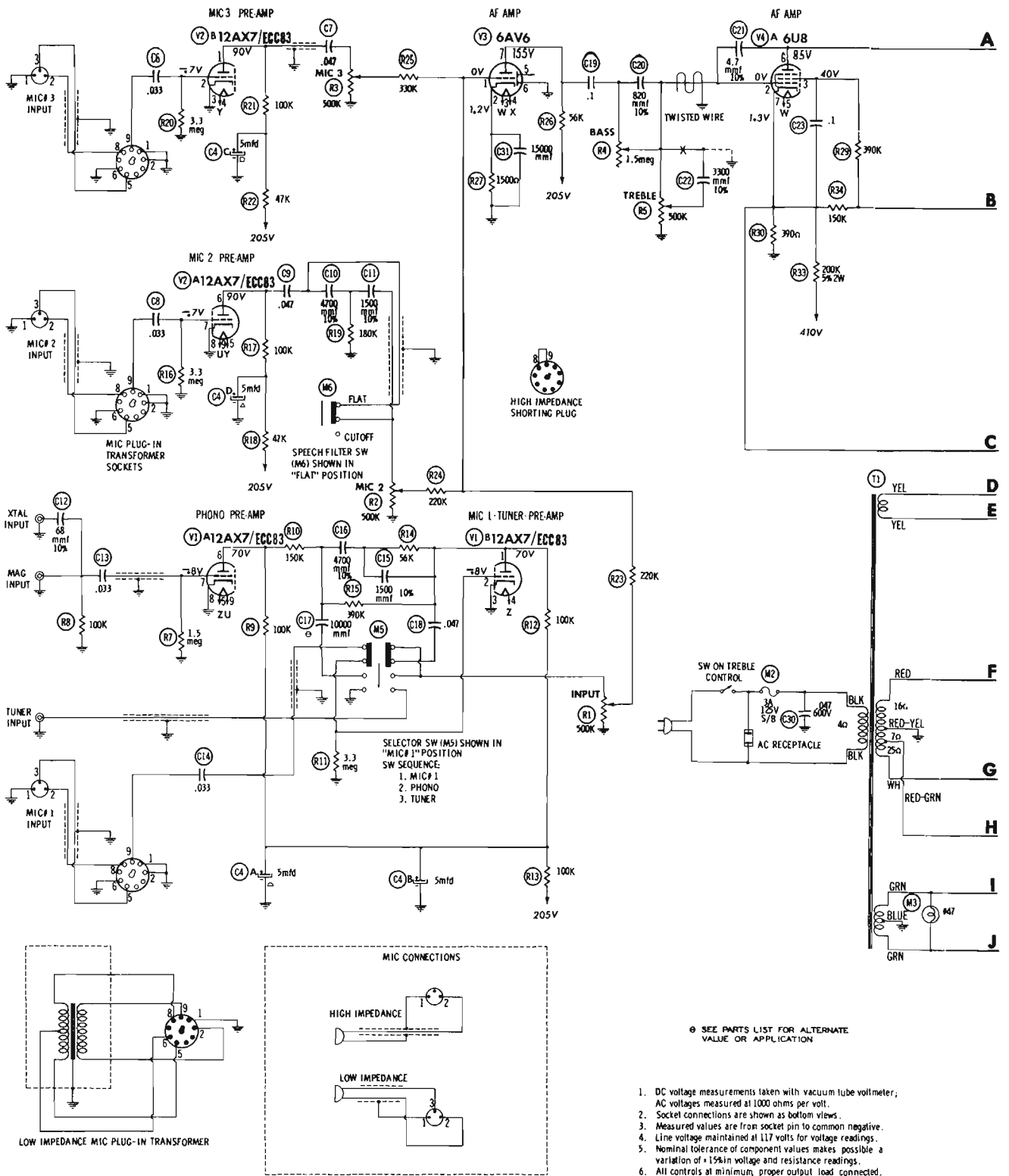
Capacity values given in the rating column are in mfd. for Paper Capacitors, and in mmfd. for Mica and Ceramic Capacitors.

ITEM No.	RATING		REPLACEMENT DATA						NOTES
	CAP.	VOLT.	DAVID BOGEN PART No.	AEROVOX PART No.	CENTRALAB PART No.	CORNELL-DUBILIER PART No.	ERIE PART No.	MALLORY PART No.	
C6	.033	200		P288N-033	DF-303	CUB8833		GEM-4133	6TM-533
C7	.047	200		P288N-047	DF-503	CUB2847		GEM-4147	2TM-547
C8	.033	200		P288N-033	DF-303	CUB8833		GEM-4133	6TM-533
C9	.047	200		P288N-047	DF-503	CUB2847		GEM-4147	2TM-547
C10	4700					RS5D47	CY20C472K		MS-247
C11	1500					RS5D15	ED-1500		MS-215
C12	.68					RS5D68	ED-68		MS-468
C13	.033	200		NP0-DI66	DD-660	CUB6633		GEM-4133	6TM-533
C14	.033	200		P288N-033	DF-303	CUB6633		GEM-4133	6TM-533
C15	1500			P288N-033	DF-303	CUB6633		GEM-4133	6TM-533
C16	4700					RS5D47	ED-1500		MS-247
C17	10000					RS5D47	ED-01	DC511	5HK-51
C18	.047	200		BPD-01	DD-103	BYA681		GEM-4147	2TM-547
C19	.1	200		P288N-047	DF-503	CUB2847		GEM-201	MS-232
C20	820			P288N-1	DF-104	CUB221		ED-820	5Y3GT
C21	4.7			NP0-DI4.7	TCZ-4RT	C10V47C	TC0-4.7	ZT-5547	5Y3GT
C22	3300					RS5D33	CY20C332K		MS-233
C23	.1	200		P288N-1	DF-104	CUB221		GEM-201	2TM-P1
C24	100			NP0-DI100	DD-101	L1071		MC5255	MS-31
C25	.1	800		P688N-1	DF-104	CUB6P1		GEM-801	6TM-P1
C26	.1	800		P688N-1	DF-104	CUB6P1		GEM-801	6TM-P1
C27	3300								
C28	10000			BPD-01	DD-103	BYA681		DC511	5HK-51
C29	.1	600		P688N-1	DF-104	CUB6P1		GEM-801	6TM-P1
C30	.047	600		P688N-047	DF-503	CUB6S47		GEM-8147	6TM-S47
C31	15000			BPD-015	DD18-153	BYA10815	ED-015		5RK-815

① Some version may use 15000mmf in this application.

CHASSIS—TOP VIEW





SEE PARTS LIST FOR ALTERNATE VALUE OR APPLICATION

- DC voltage measurements taken with vacuum tube voltmeter; AC voltages measured at 1000 ohms per volt.
- Socket connections are shown as bottom views.
- Measured values are from socket pin to common negative.
- Line voltage maintained at 117 volts for voltage readings.
- Nominal tolerance of component values makes possible a variation of $\pm 15\%$ in voltage and resistance readings.
- All controls at minimum, proper output load connected.

PARTS LIST AND DESCRIPTIONS (Continued) CONTROLS

ITEM No.	RATING		REPLACEMENT DATA					INSTALLATION NOTES
	RESISTANCE	WATTS	DAVID BOGEN PART No.	CENTRALAB PART No.	CLAROSTAT PART No.	IRC PART No.	MALLOY PART No.	
R1A	500K	↓	V387	B-60	A47-500K-Z	Q13-133	U48	Input
B	Shaft	↓		Not Req.	FS-3	Not Req.	Not Req.	
R2A	500K	↓	V387	B-60	A47-500K-Z	Q13-133	U48	Mic 2
B	Shaft	↓		Not Req.	FS-3	Not Req.	Not Req.	
R3A	500K	↓	V387	B-60	A47-500K-Z	Q13-133	U48	Mic 3
B	Shaft	↓		Not Req.	FS-3	Not Req.	Not Req.	
R4A	1.5meg	↓	V407	B-78	A47-3meg-Z	Q13-139	U65	Bass
B	Shaft	↓		Not Req.	FS-3	Not Req.	Not Req.	
R5A	500K	↓	V377	B-60	A47-500K-Z	Q13-133	U48	Treble
B	Shaft	↓		Not Req.	FS-3	Not Req.	Not Req.	
C	Switch	↓		Not Req.	SWE-12	78-1	U8-26	
R6A	100K	↓	V592	AB-40*	A47-100K-S*	B11-128	TA15L	Volt Regulator
B	Shaft	↓		AK-1	FKS-1/4	TMG-K11	Not Req.	

* Enlarge Mounting Hole to 3/8"

RESISTORS

All wattages 1/2 watt, or less, unless otherwise listed.

ITEM No.	RATING		DAVID BOGEN PART No.	NOTES	ITEM No.	RATING		DAVID BOGEN PART No.	NOTES
	OHMS	WATT				OHMS	WATT		
R7	1.5meg				R36	10000			
R8	100K				R37	220K			
R9	100K				R38	470			
R10	150K				R39	10000	7		
R11	3.3meg				R40	150 5%			
R12	100K				R41	10000			
R13	100K				R42	470			
R14	50K				R43	150 5%			
R15	390K				R44	10000			
R16	3.3meg				R45	220K			
R17	100K				R46	470			
R18	47K				R47	150 5%			
R19	180K				R48	10000			
R20	3.3meg				R49	470			
R21	100K				R50	150 5%			
R22	47K				R51	68K			
R23	220K				R52	1meg			
R24	220K				R53	2.7meg			
R25	330K				R54	1meg			
R26	50K				R55	1meg			
R27	15000				R56	880K			
R28	470K				R57	150			
R29	390K				R58	150			
R30	390K				R59	27K	2		
R31	22K				R60	22K			
R32	100K				R81	33K			
R33	200K 5%	2			R82	0.47	1		
R34	150K				R83	0.47	1		
R35	22K								

PARTS LIST AND DESCRIPTIONS (Continued) TRANSFORMER (POWER)

ITEM No.	RATING				REPLACEMENT DATA					
	PRI	SEC. 1	SEC. 2	SEC. 3	DAVID BOGEN PART No.	Halderson PART No.	Merit PART No.	Stancor PART No.	Thordarson PART No.	Triad PART No.
T1	117V ① L IA	870VCT ② .052A Tap ③ 37V ④ .001A	5V ⑤ 8A	6.3VCT ⑥ 7A	T3150					

TRANSFORMER (AUDIO OUTPUT)

ITEM No.	IMPEDANCE		REPLACEMENT DATA						NOTES
	PRI	SEC. 1	DAVID BOGEN PART No.	Halderson PART No.	Merit PART No.	Stancor PART No.	Thordarson PART No.	Triad PART No.	
T2	33000 CT	TOV (83Ω) SEC. 2 180 Tap ① 80, 40,	T2124						

RECTIFIER

ITEM No.	RATING		REPLACEMENT DATA				NOTES
	(Measured)	Current	DAVID BOGEN PART No.	FEDERAL PART No.	INTERNATIONAL PART No.	SARKES TARZIAN PART No.	
M1	.001A		R373	1283A	RB008	10	

FUSE

ITEM No.	TYPE	RATING	REPLACEMENT DATA					
			DAVID BOGEN PART No.		LITTELFUSE PART No.			
			FUSE	HOLDER	FUSE	HOLDER		
M2	3AG	3A 125V S/B			313003, (3AG 3A 125V S/B)	342001	MDX3	HKP

MISCELLANEOUS

ITEM No.	PART NAME	DAVID BOGEN PART No.	NOTES
M3	Pilot Lamp		447
M4	Pilot Lamp		447
M5	Switch	8475	Selector (Slide Type DPDT)
M6	Switch	8381	Speech Filter (Slide Type SPDT)

WIRING DATA

General-use Unshielded Hook-up Wire	Use BELDEN No. 8530 (Solid) Available in Ten Colors
Power Cord	Use BELDEN No. 8524 (Stranded) Available in Ten Colors
Low-Loss Shielded Lead (Interconnecting)	Use BELDEN No. 1765-B (6 Ft. Length)
	1725-K (7 1/2 Ft. Length)
Phono Pick-up Arm Cable	Use BELDEN No. 8430 (Two Conductor - Twisted)



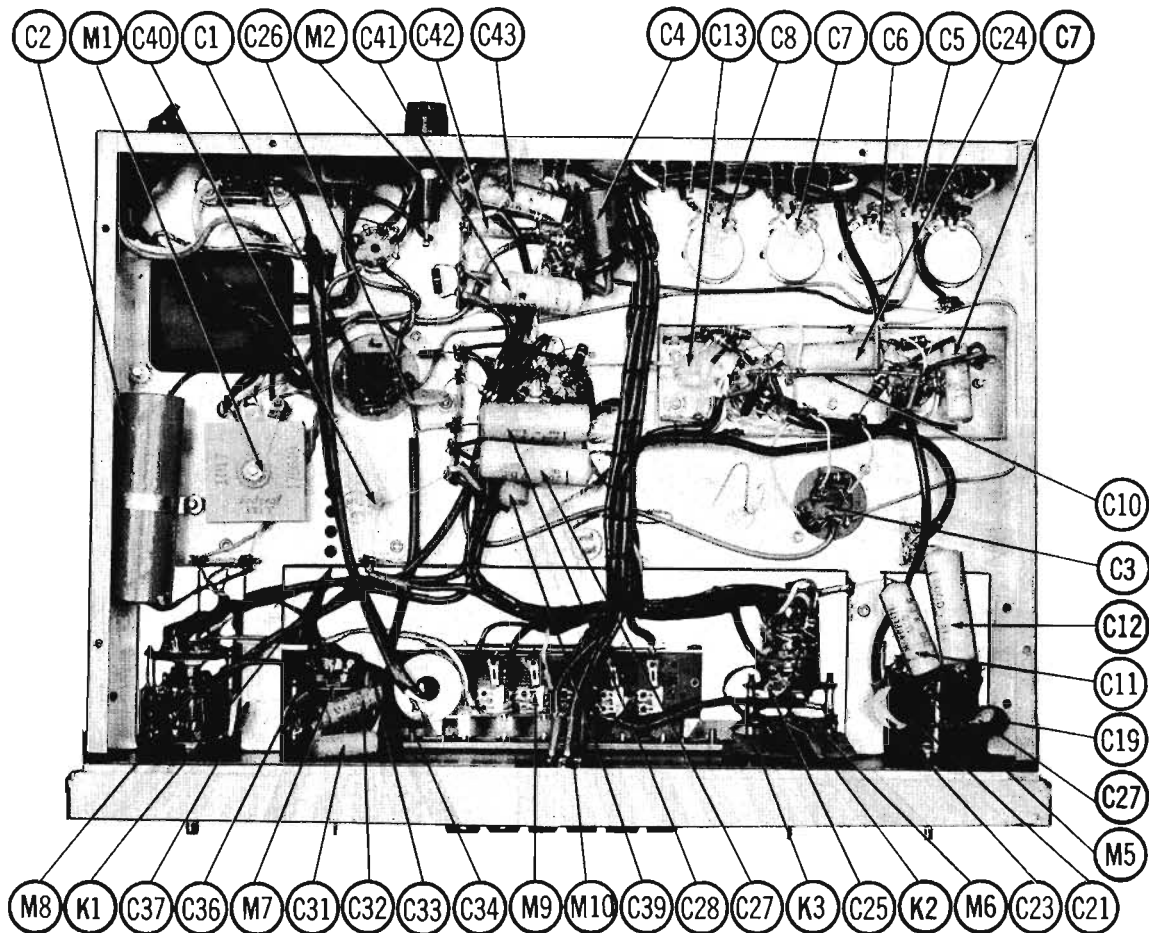
**DAVID BOGEN
 MODEL PR100A**

TRADE NAME	David Bogen Model PR100A	
MANUFACTURER	David Bogen Co., Inc., P. O. Box 500, Paramus, N. J.	
TYPE SET	AC Operated 8 Channel Equalizer Preamplifier	
TUBES (Five)	Types 12AU7/ECC82 Phono Preamplifier, 12AX7/ECC83 Phono AF Amplifier, 12AT7/ECC81 AF Amplifier, 12AU7/ECC82 AF Amp. - Cath. Follower, 6X4 Rectifier	
POWER SUPPLY	110-120 Volts AC-60 Cycles	RATING .23 Amp @ 117 Volts AC (23 Watts)

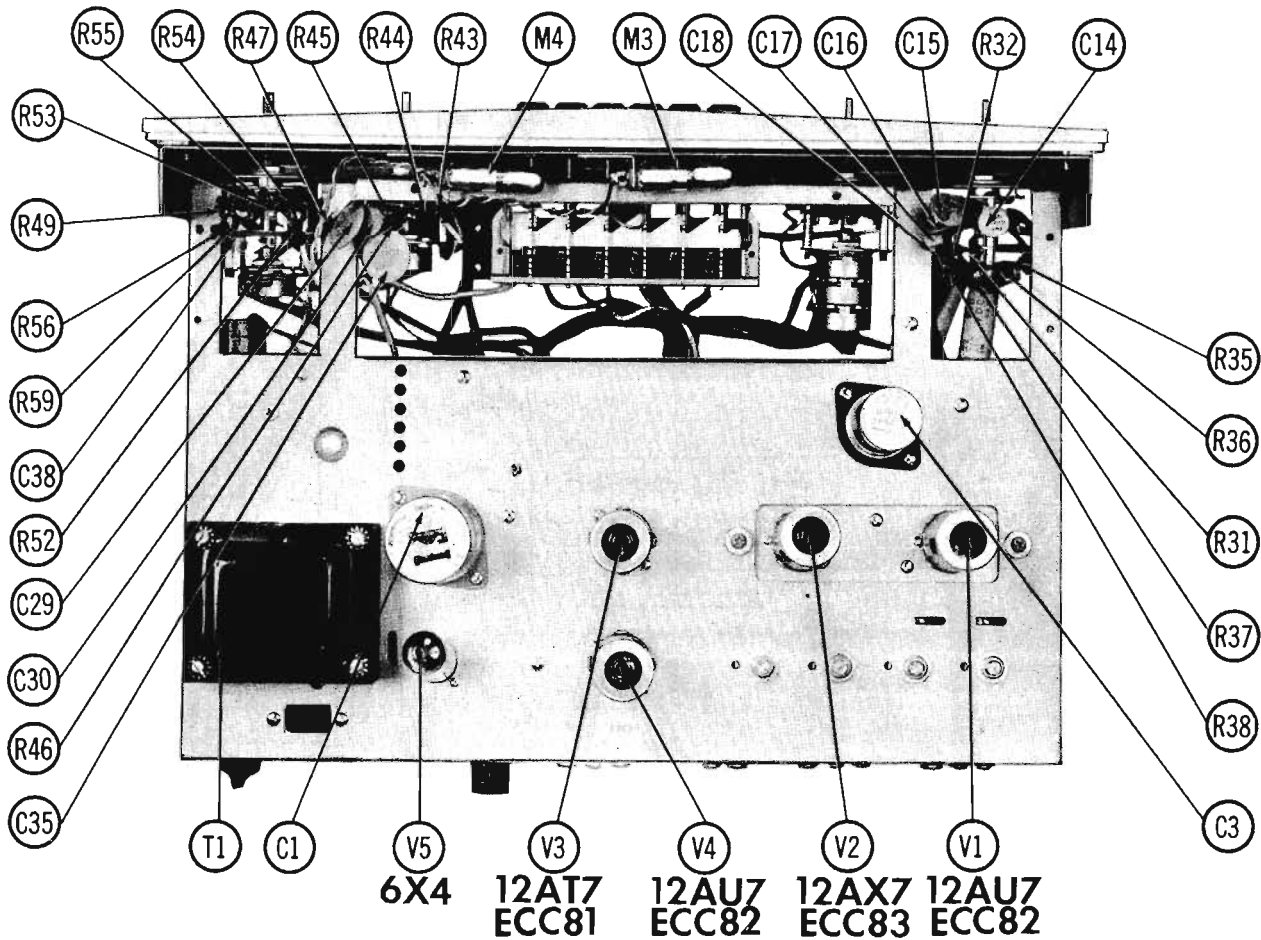
HOWARD W. SAMS & CO., INC. • Indianapolis 5, Indiana

The listing of any available replacement part herein does not constitute in any case a recommendation, warranty or guaranty by Howard W. Sams & Co., Inc., as to the quality and suitability of such replacement part. The numbers of these parts have been compiled from information furnished to Howard W. Sams & Co., Inc., by the manufacturers of H218

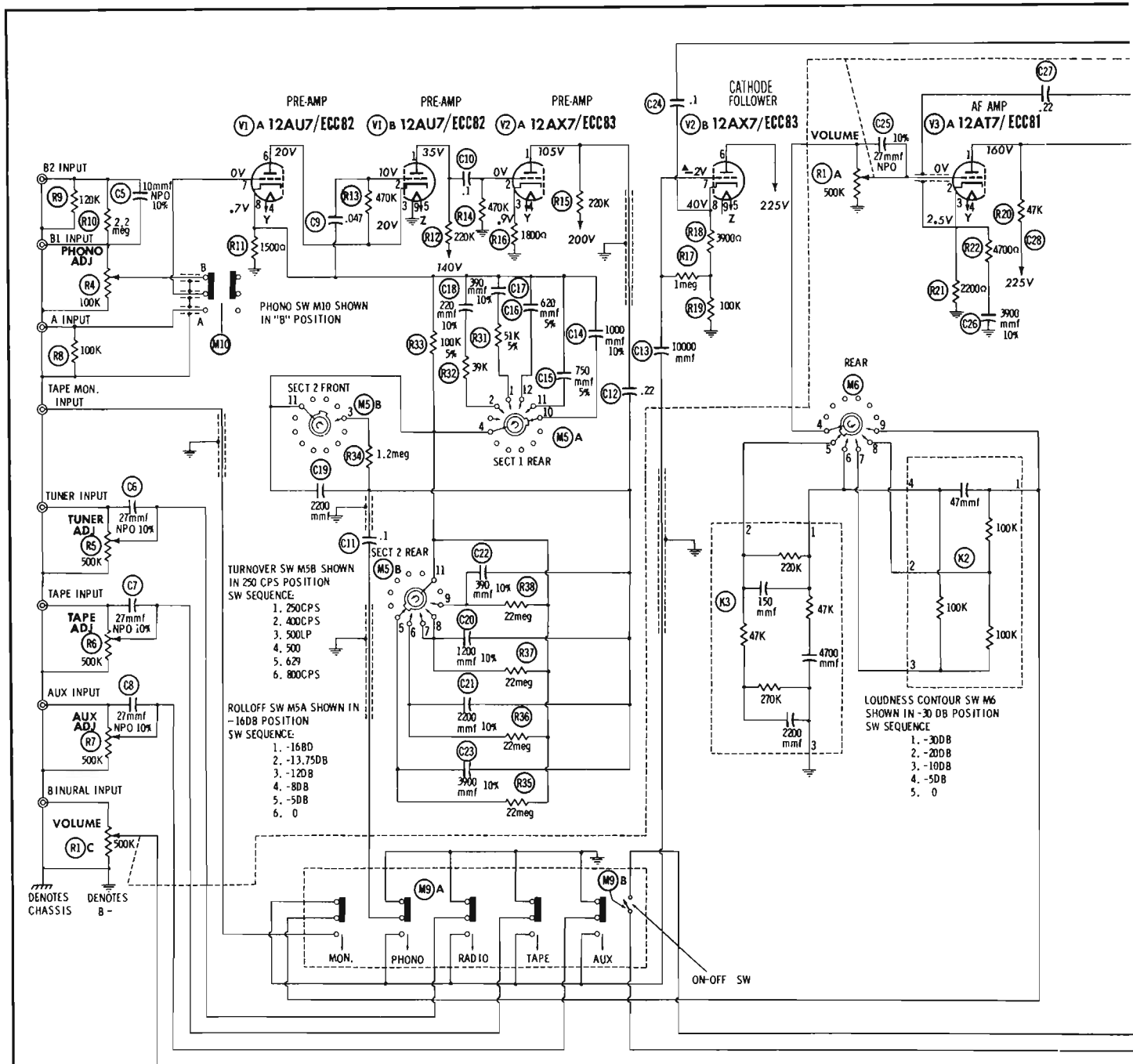
the particular type of replacement part listed. Reproduction or use, without express permission, of editorial or pictorial content, in any manner, is prohibited. No patent liability is assumed with respect to the use of the information contained herein. © 1957 Howard W. Sams & Co., Inc., Indianapolis 5, Indiana. Printed in U.S. of America



CHASSIS BOTTOM VIEW-CAPACITOR IDENTIFICATION



CHASSIS TOP VIEW



PHONO SW M10 SHOWN IN "B" POSITION

TURNOVER SW M5B SHOWN IN 250 CPS POSITION
SW SEQUENCE:
1. 250CPS
2. 400CPS
3. 500LP
4. 500
5. 629
6. 800CPS

ROLLOFF SW M5A SHOWN IN -16DB POSITION
SW SEQUENCE:
1. -16DB
2. -13.75DB
3. -12DB
4. -8DB
5. -5DB
6. 0

LOUDNESS CONTOUR SW M6 SHOWN IN -30 DB POSITION
SW SEQUENCE:
1. -30DB
2. -20DB
3. -10DB
4. -5DB
5. 0

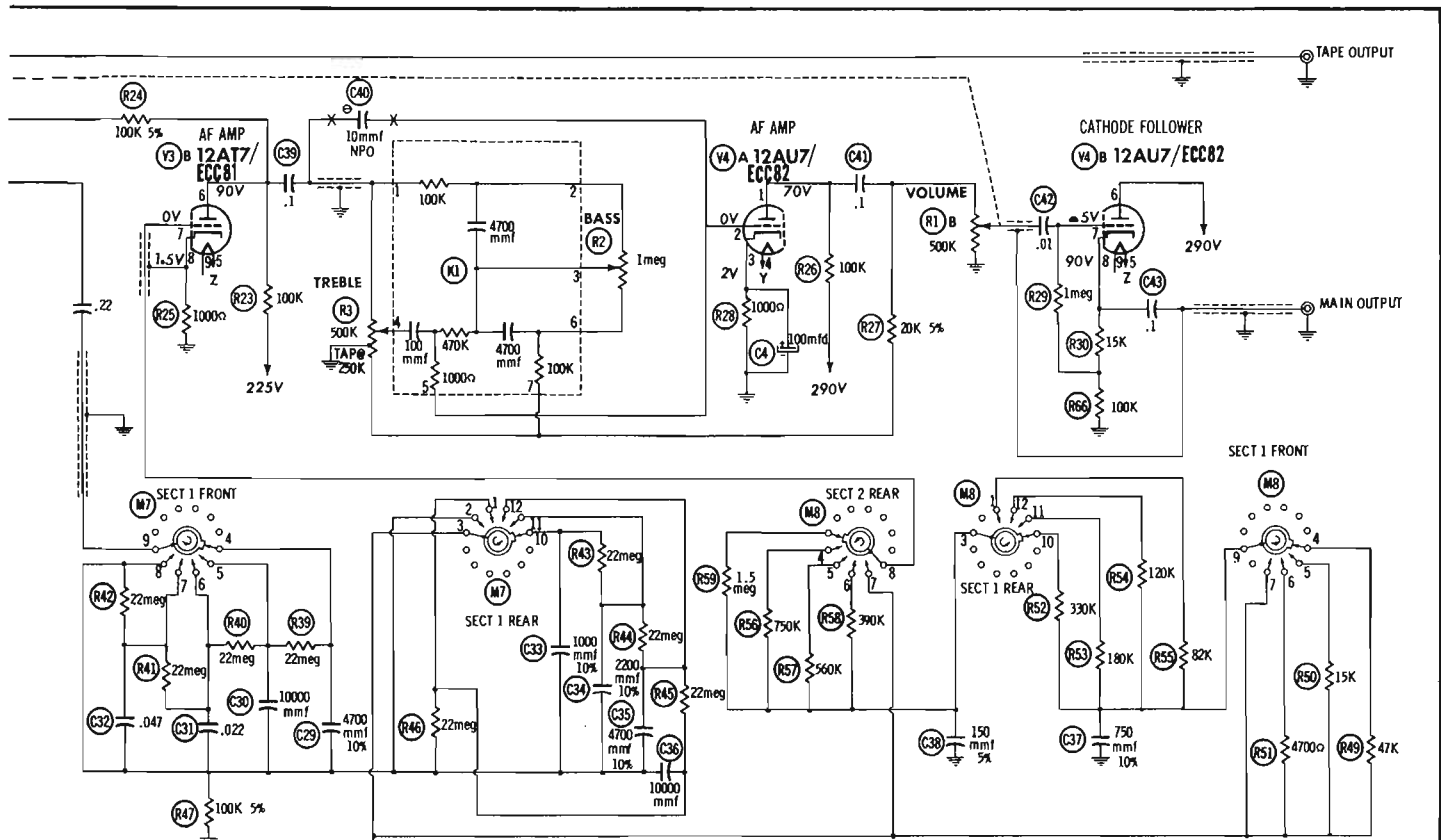
RESISTANCE READINGS

ITEM	TUBE	Pin 1	Pin 2	Pin 3	Pin 4	Pin 5	Pin 6	Pin 7	Pin 8	Pin 9
V1	12AU7/ECC82	† 370K	INF	INF	6Ω	6Ω	INF	100K	1500Ω	0Ω
V2	12AX7/ECC83	† 250K	470K	1800Ω	6Ω	6Ω	† 30K	1.1Meg	100K	9Ω
V3	12AT7/ECC81	† 77K	0Ω	2200Ω	6Ω	6Ω	† 130K	2.2Meg	1000Ω	9Ω
V4	12AU7/ECC82	† 120K	600K	1000Ω	6Ω	6Ω	† 20K	1.1Meg	115K	9Ω
V5	6X4	1000Ω	NC	0Ω	.3Ω	NC	1000Ω	20KIM(Ω)		

- DC voltage measurements taken with vacuum tube voltmeter; AC voltages measured at 1000 ohms per volt.
- Socket connections are shown as bottom views.
- Measured values are from socket pin to common negative.
- Line voltage maintained at 117 volts for voltage readings.
- Nominal tolerance of component values makes possible a variation of ±15% in voltage and resistance readings.
- All controls at minimum, proper output load connected.

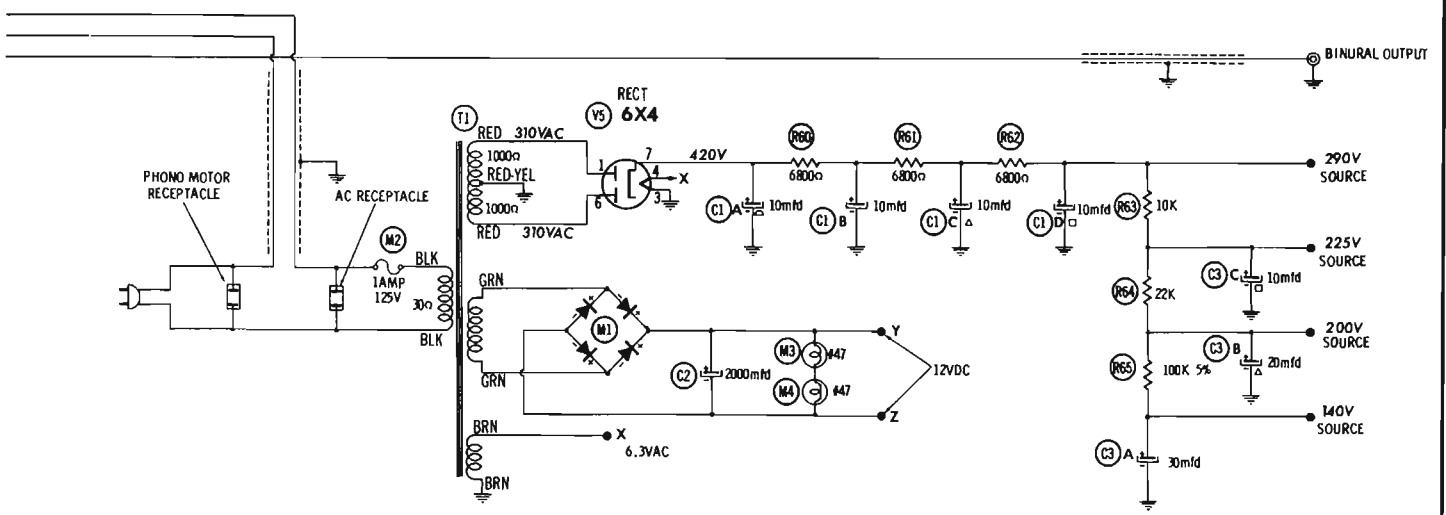
SEE PARTS LIST FOR ALTERNATE VALUE OR APPLICATION

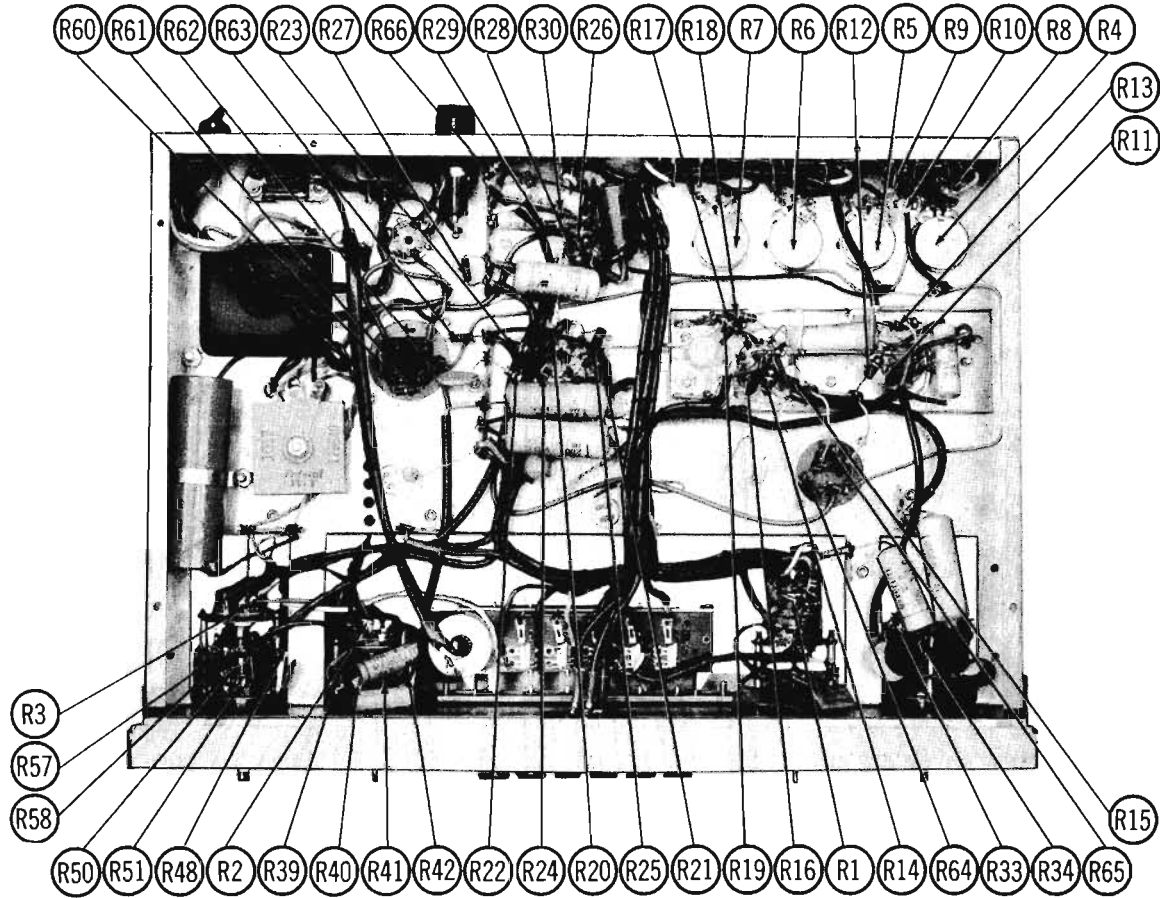
ALL MEASUREMENTS TAKEN IN "AUX" POSITION
 † MEASURED FROM PIN 8 OF V4
 ‡ MEASURED FROM PIN 8 OF V2
 † MEASURED FROM PIN 7 OF V5
 NC NO CONNECTION



LO FILTER SW M7 SHOWN IN 120 CPS POSITION SW SEQUENCE:
 1. 120CPS
 2. 60CPS
 3. 30CPS
 4. 15CPS
 5. FLAT

HI FILTER SW M8 SHOWN IN 3KC POSITION SW SEQUENCE:
 1. 3KV
 2. 6KC
 3. 8KC
 4. 10KV
 5. FLAT





CHASSIS BOTTOM VIEW-RESISTOR IDENTIFICATION

PARTS LIST AND DESCRIPTIONS TUBES (GENERAL ELECTRIC, SYLVANIA)

ITEM No.	USE	TYPE	ITEM No.	USE	TYPE
V1	Phono Preamplifier	12AU7/ECC82	V4	AF Amp. - Cath. Follower	12AU7/ECC82
V2	Phono AF Amplifier	12AX7/ECC83	V5	Rectifier	6X4
V3	AF Amplifier	12AT7/ECC81			

ELECTROLYTIC CAPACITORS

ITEM No.	RATING		REPLACEMENT DATA						
	CAP.	VOLT.	David Bogen PART No.	AEROVOX PART No.	CORNELL DUBILIER PART No.	MALLORY PART No.	PYRAMID PART No.	SANGAMO PART No.	SPRAGUE PART No.
C1A	.10	450		AFH4-10	DD090	FP434	TMQ-10	Q-030	TVL-4760
B	10	450							
C	10	450							
D	10	450							
C2	2000	15		AFH1-03	BR20001	TC1501 TC1501	TD-1000-15 TD-1000-15	B-025	R2425 *
C3A	30	150		AFH3-47		FP230.3 TC47		D335 MT-1530	TVL-3537
B	±20	200							
C	10	250							
C4	100	8		PR86V100	BBR100-6	TC2501	TD-100-6	MTH-0810	TVA-1101

* NON CATALOG ITEM

FIXED CAPACITORS

Capacity values given in the rating column are in mfd. for Paper Capacitors, and in mmfd. for Mica and Ceramic Capacitors.

ITEM No.	RATING		REPLACEMENT DATA							NOTES
	CAP.	VOLT	David Bogen PART No.	AEROVOX PART No.	CENTRALAB PART No.	CORNELL DUBILIER PART No.	EBE PART No.	MALLORY PART No.	SPRAGUE PART No.	
C5	10			NP0-SI 10	TCZ-10	C10Q1C	TCO-10	ZT-541	5TCC-Q1	NP0 10%
C6	27				TCZ-10	C10Q27C	TCO-27			NP0 10%
C7	27				TCZ-27	C10Q27C	TCO-27			NP0 10%
C8	27				TCZ-27	C10Q27C	TCO-27			NP0 10%
C9	.047	200		P288N-047	DF-503	CUB2547	GEM-4147	2TM-547		
C10	.1	200		P288N-1	DF-104	CUB2P1	GEM-201	2TM-P1		
C11	.1	200		P288N-1	DF-104	CUB2P1	GEM-201	2TM-P1		
C12	.22	200		P288N-22	DF-104	CUB2P22	GEM-201	2TM-P22		
C13	10000			BPD-01	DD-103	BYA6S1	ED-01	DC511	5HK-S1	
C14	1000						ED-1000			10%
C15	750									5%
C16	620									5%
C17	390				D8-391	LIOT39	ED-390			10%
C18	220				D8-221	LIOT22	ED-220			10%
C19	2200			BPD-0022	DD-222	BYA10D22	ED-2222	UC-5222	5GA-D22	
C20	1200									10%
C21	2200				D8-391	LIOT39	ED-390			10%
C22	390									10%
C23	3900									10%
C24	.1	200		P288N-1	DF-104	CUB2P1	TCO-27	GEM-201	2TM-P1	
C25	27				TCZ-27	C10Q27C				10%
C26	3900									10%
C27	.22	200		P288N-22		CUB2P22	GEM-2022	2TM-P22		
C28	.22	200		P288N-22		CUB2P22	GEM-2022	2TM-P22		
C29	4700									10%
C30	10000			BPD-01	DD-103	BYA6S1	ED-01	DC511	5HK-S1	
C31	.022	200		P288N-022	DF-503	CUB2547	ED-02	GEM-4122	2TM-547	
C32	.047	200		P288N-047	DF-503	CUB2547	ED-1000	GEM-4147	2TM-547	
C33	1000									10%
C34	2200									10%
C35	4700									10%
C36	10000			BPD-01	DD-103	BYA6S1	ED-01	DC511	5HK-S1	
C37	750						ED-750			10%
C38	150						TCO-150	ZT-5315	5TCC-T15	5%
C39	.1	200		P288N-1	DF-104	CUB2P1	GEM-201	2TM-P1		
C40	.1	200		P288N-1	DF-104	CUB2P1	GEM-201	2TM-P1		
C41	.1	400		P488N-1	DF-104	CUB4P1	TCO-10	ZT-541	5TCC-Q1	① NP0
C42	.01	200		P288N-01	DD-103	CUB4S1	GP-10000	GEM-411	4TM-S1	
C43	.1	200		P288N-1	DF-104	CUB2P1	GEM-201	2TM-P1		

① Not used in some versions.

PARTS LIST AND DESCRIPTIONS (Continued) CONTROLS

ITEM No.	RATING		REPLACEMENT DATA						INSTALLATION NOTES
	RESISTANCE	WATTS	David Bogen PART No.	CENTRALAB PART No.	CLAROSTAT PART No.	IRC PART No.	MALLORY PART No.		
R1A	500K	1/2	S452B				Q13-133	Volume	
B	500K	1/2					M13-133	Volume	
C	500K	1/2					M13-133	Volume	
R2A	1Meg	1/2		B-60	A47-1Meg-S		Q11-137	U54	
B	500K	1/2		Not Req.	FKS 1/4		Not Req.	Not Req.	
R3A	500K	1/2		BT-85	A47F5-500K		Q19-133X	UT-43	
B	500K	1/2		Not Req.	FKS 1/4		Not Req.	Not Req.	
R4A	100K	1/2	V381	AB-40	A47-100K-S		Q11-128	U41	
B	500K	1/2		AK-1	FKS-1/4		RQ	Not Req.	
R5A	500K	1/2	V275B	AB-80	A47-500K-Z		Q13-133	U48	
B	500K	1/2		AK-1	FKS-1/4		RQ	Not Req.	
R6A	500K	1/2	V275B	AB-80	A47-500K-Z		Q13-133	U48	
B	500K	1/2		AK-1	FKS-1/4		RQ	Not Req.	
R7A	500K	1/2	V275B	AB-60	A47-500K-Z		Q13-133	U48	
B	500K	1/2		AK-1	FKS-1/4		RQ	Not Req.	

RESISTORS

All wattages 1/2 watt, or less, unless otherwise listed.

ITEM No.	RATING		David Bogen PART No.	NOTES	ITEM No.	RATING		David Bogen PART No.	NOTES
	OHMS	WATT				OHMS	WATT		
R8	100K				R38	22Meg			
R9	120K				R39	22Meg			
R10	2.2Meg				R40	22Meg			
R11	1500Ω				R41	22Meg			
R12	220K				R42	22Meg			
R13	470K				R43	22Meg			
R14	470K				R44	22Meg			
R15	220K				R45	22Meg			
R16	1800Ω				R46	22Meg			
R17	1Meg				R47	100K 5%			
R18	3900Ω				R48	470K			
R19	100K				R49	47K			
R20	47K				R50	15K			
R21	2200Ω				R51	4700Ω			
R22	4700Ω				R52	330K			
R23	100K				R53	180K			
R24	100K 5%				R54	120K			
R25	1000Ω				R55	82K			
R26	100K				R56	750K			
R27	20K 5%				R57	800K			
R28	1000Ω				R58	390K			
R29	1Meg				R59	1.5Meg			
R30	15K				R60	8800Ω			
R31	51K 5%				R61	6900Ω			
R32	39K				R62	8900Ω			
R33	100K 5%				R63	10K			
R34	1.2Meg				R64	22K			
R35	22Meg				R65	100K 5%			
R36	22Meg				R66	100K			
R37	22Meg								

TRANSFORMER (POWER)

ITEM No.	RATING				REPLACEMENT DATA					
	PRI.	SEC. 1	SEC. 2	SEC. 3	David Bogen PART No.	Hollandson PART No.	Merit PART No.	Stancor PART No.	Thordarson PART No.	Triad PART No.
T1	117VAC ② 23A	840VCT ② .008A	6.3VAC ② .6A	12VAC ② .135A	T3133-1					

PARTS LIST AND DESCRIPTIONS (Continued)

COMPONENT COMBINATIONS

ITEM No.	USE	DESCRIPTION	David Bogen PART No.	REPLACEMENT DATA
K1	Tone Compensation	4700MMF, 4700MMF, 100MMF 100K, 470K, 1000 Ω , 100K	C392	Centralab PC190
K2	Tone Compensation	47MMF, 100K, 100K, 100K	C419	Sprague 104C-11
K3	Tone Compensation	150MMF, 4700MMF, 2200MMF 47K, 47K, 270K, 220K	C420	Sprague 102C-22

SELENIUM RECTIFIER

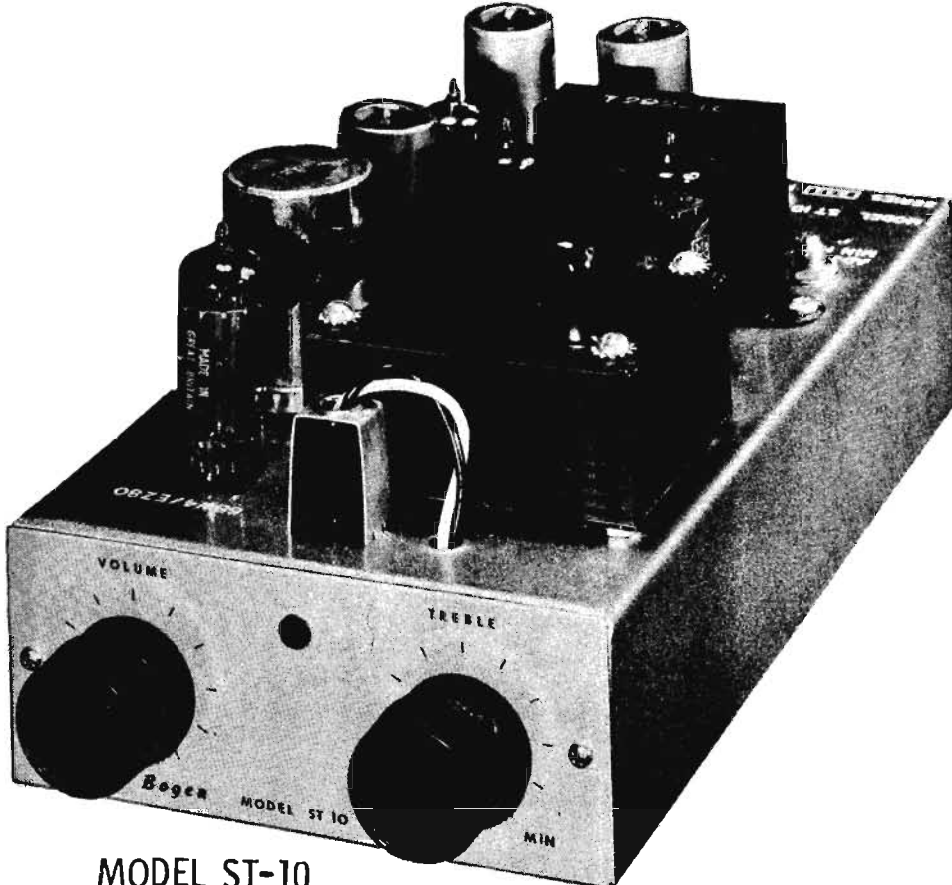
ITEM No.	RATING	REPLACEMENT DATA				NOTES
	CURRENT (Measured)	David Bogen PART No.	FEDERAL PART No.	INTERNATIONAL PART No.	SARKIS TARZIAN PART No.	
M1	.720A	R-432	1Q17	C1B	604B	

FUSES

ITEM No.	TYPE	RATING	REPLACEMENT DATA					
			David Bogen PART No.		LITTELFUSE PART No.		BUSS PART No.	
			FUSE	HOLDER	FUSE	HOLDER	FUSE	HOLDER
M2	3AG	1A 125V Slo-Blo			31300L (3AG 1A 125V S/B)	342001	MDL1	HKP

MISCELLANEOUS

ITEM No.	PART NAME	David Bogen PART No.	NOTES
M3	Pilot Lamp		#47
M4	Pilot Lamp		#47
M5A	Switch	S422A	Roll-off (Rotary Wafer Type)
B	Switch		Turnover (Rotary Wafer Type)
M6	Switch	S452A	Contour (Rotary Wafer Type)
M7	Switch	S424C	Lo Filter (Rotary Wafer Type)
M8	Switch	S425C	Hi Filter (Rotary Wafer Type)
M9A	Switch	S436E	Input Selector Assy (Pushbutton Slide Type)
B	Switch		On-Off (Pushbutton Slide Type)
M10	Switch	S476	Phono (A & B) (Slide Type SPST)



MODEL ST-10

**DAVID BOGEN
 MODELS ST-10, ST-10G**

TRADE NAME	David Bogen Models ST-10, ST-10G		
MANUFACTURER	David Bogen Co., Inc., P. O. Box 500, Paramus, N. J.		
TYPE SET	AC Operated Audio Amplifier		
TUBES (Seven)	Types ECC83/12AX7 (or) 12AD7 Ch. 2 Preamplifier, 6C4 Ch. 2 Cathode Follower, ECC83/12AX7 (or) 12AD7 Ch. 1 Preamplifier, 6U8 Ch. 1 AF Amp. - Phase Inv., (2) 6A4Q5 Ch. 1 Output, EZ80/6V4 (or) EZ81/6BW4 Rectifier		
POWER SUPPLY	110-120 Volts AC-60 Cycles	RATING	.52 Amp. @ 117 Volts AC (52 Watts)

HOWARD W. SAMS & CO., INC. • Indianapolis 5, Indiana

The listing of any available replacement part herein does not constitute in any case a recommendation, warranty or guaranty by Howard W. Sams & Co., Inc., as to the quality and suitability of such replacement part. The numbers of these parts have been compiled from information furnished to Howard W. Sams & Co., Inc., by the manufacturers of H196

the particular type of replacement part listed. Reproduction or use, without express permission, of editorial or pictorial content, in any manner, is prohibited. No patent liability is assumed with respect to the use of the information contained herein. © 1957 Howard W. Sams & Co., Inc., Indianapolis 5, Indiana. Printed in U.S. of America

PARTS LIST AND DESCRIPTIONS

TUBES (GENERAL ELECTRIC, SYLVANIA)

ITEM No.	USE	TYPE	NOTES	ITEM No.	USE	TYPE	NOTES
V1	Ch. 2 Preamplifier	ECC83/ 12AX7	Note 1	V4	Ch. 1 AF Amp. - Phase Inv.	6U8 6AQ5	
V2	Ch. 2 Cathode Follower	6C4		V5	Ch. 1 Output	6AQ5	
V3	Ch. 1 Preamplifier	ECC83/ 12AX7	Note 1	V6	Ch. 1 Output	6AQ5	
				V7	Rectifier	EZ80/ 6V4	Note 2

Note 1. Type 12AX7 may be used in some versions.
Note 2. Type EZ80/6V4 may be used in some versions.

ELECTROLYTIC CAPACITORS

ITEM No.	RATING		REPLACEMENT DATA						
	CAP.	VOLT.	David Bogen PART No.	AEROVOX PART No.	CORNELL-DUBILIER PART No.	MALLORY PART No.	PYRAMID PART No.	SANGAMO PART No.	SPRAGUE PART No.
C1A	.30	350		AFH4-49	DD080 -BR3036				
B	.5	350							
C	.5	350							
D	10	25							
C2	8	250	①	PR8250V8	BBR8-250	TC51	TD-8-250	MT-2508	TVA-1503

① Some versions may use 20MF in this application.

FIXED CAPACITORS

Capacity values given in the rating column are in mfd. for Paper Capacitors, and in mmfd. for Mica and Ceramic Capacitors.

ITEM No.	RATING		REPLACEMENT DATA								NOTES
	CAP.	VOLT	David Bogen PART No.	AEROVOX PART No.	CENTRALAB PART No.	CORNELL-DUBILIER PART No.	EME PART No.	MALLORY PART No.	SPRAGUE PART No.		
C3	.022	200		P288N-022	DD-203	CUB4822	ED-02	GEM-4122	2TM-822		
C4	.022	200		P288N-022	DD-203	CUB4822	ED-02	GEM-4122	2TM-822		
C5	270			BPD-00027	DD-271	LIOT27	ED-270	UC-5327	5GA-T27		
C6	.033	200		P288N-033	DF-303	CUB6833		GEM-4133	6TM-833		
C7	.1	200		P288N-1	DF-104	CUB2P1		GEM-201	2TM-P1		
C8	.022	200		P288N-022	DD-203	CUB4822	ED-02	GEM-4122	2TM-822		
C9	.022	200		P288N-022	DD-203	CUB4822	ED-02	GEM-4122	2TM-822		
C10	270			BPD-00027	DD-271	LIOT27	ED-270	UC-5327	5GA-T27		
C11	.033	200		P288N-033	DF-303	CUB6833		GEM-4133	6TM-833		
C12	.022	200		P288N-0022	DF-222	CUB4D22	OP-2200	GEM-0222	8TM-722		
C13	.033	200		BPD-035	DF-303	CUB6833		GEM-4133	6TM-833		
C14	.022	400		P488N-022	DD-203	CUB4822	ED-02	GEM-4122	4TM-822		
C15	880			BPD-00088	DD-881	BYA10T88	ED-880	UC-5388	5GA-T88		
C16	88			BPD-00088	DD-880	LIQ88	ED-88	UC-5488	5GA-Q88		
C17	15000			BPD-015	DD16-165	BYA10S15	ED-015		5HK-815		
C18	15000			BPD-015	DD16-153	BYA10S15	ED-015		5HK-815		
C19	1000			BPD-001	DD-102	BYA8D1	ED-1000	DC521	5HK-D1		

① Some versions may use .033MFD in this application.

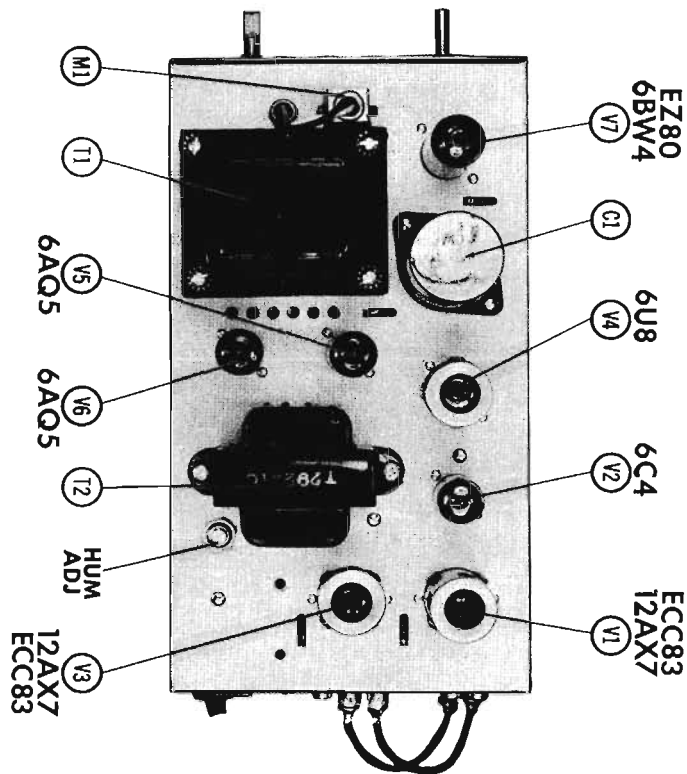
② Some versions may use 270MMF in this application.

③ Not used in some versions.

CONTROLS

ITEM No.	RATING		REPLACEMENT DATA					INSTALLATION NOTES
	RESISTANCE	WATTS	David Bogen PART No.	CENTRALAB PART No.	CLAROSTAT PART No.	IRC PART No.	MALLORY PART No.	
RIA	500K	1/2	V41A	BB-104	AD47-500K-2	Q13-133	UR1402	Volume
B	500K	1/2		Not Req.	Not Req.	M13-133	Not Req.	Volume
C	500K	1/2		Not Req.	FS-3	Not Req.	Not Req.	Treble
RIA	500K	1/2	V323A	B-80	A47-500K-8	Q13-133	U48	Treble
B	500K	1/2		Not Req.	FS-3	Not Req.	Not Req.	
C	Switch			KB-1	8WE-12	76-1	US-26	
D	Cover			KB-5				
RIA	800	2	V113A	WN-800	A43-50	WPK50	R50L	Hum Balance (Wire Wound)
B	800	2		Not Req.	FKB-1/4	Not Req.	Not Req.	

CHASSIS—TOP VIEW



PARTS LIST AND DESCRIPTIONS (Continued)

RESISTORS

All wattages 1/2 watt, or less, unless otherwise listed.

ITEM No.	RATING		REPLACEMENT DATA		NOTES	ITEM No.	RATING		REPLACEMENT DATA		NOTES
	OHMS	WATT	David Bogen PART No.	IRC PART No.			OHMS	WATT	David Bogen PART No.	IRC PART No.	
R4	100K			BTS-100K		R20	300K			BTS-300K	
R5	3.3Meg			BTS-3.3Meg		R21	300Ω			BTS-300	
R6	220K			BTS-220K		R22	100K			BTS-100K	
R7	180K			BTS-180K		R23	600Ω			BTS-600	Note 2
R8	3.3Meg			BTS-3.3Meg		R24	150K			BTS-150K	Note 3
R9	220K			BTS-220K		R25	22K			BTS-22K	Note 4
R10	47K			BTS-47K		R26	100K 5%			BTS-100K 5%	Note 5
R11	100K			BTS-100K		R27	22K			BTS-22K	
R12	3.3Meg			BTS-3.3Meg		R28	600K			BTS-600K	
R13	220K			BTS-220K		R29	1200Ω	1		BTA-1200	Note 6
R14	180K			BTS-180K		R30	300Ω	7		PW7-300	
R15	3.3Meg			BTS-3.3Meg		R31	600K			BTS-600K	
R16	220K			BTS-220K		R32	2200Ω	2		BTS-2200	
R17	150K			BTS-150K	Note 1	R33	.47Ω	1		BTA-.47	
R18	47K			BTS-47K		R34	.47Ω	1		BTA-.47	
R19	470K			BTS-470K		R35	.27Ω 5%	1		BTA-.27 5%	
						R36	.27Ω 5%	1		BTA-.27 5%	

Note 1. Some versions may use 100K in this application.
 Note 2. Some versions may use 22K in this application.
 Note 3. Some versions may use 100K in this application.
 Note 4. Some versions may use 33K in this application.
 Note 5. Some versions may use #2K in this application.
 Note 6. Not used in some versions.

TRANSFORMER (POWER)

ITEM No.	RATING				REPLACEMENT DATA					
	PRI.	SEC. 1	SEC. 2	SEC. 3	David Bogen PART No.	Holldorson PART No.	Merit PART No.	Stancor PART No.	Thordorson PART No.	Triod PART No.
T1	117VAC ① .52A	580VCT ② .068A	6.3VAC ③ 2.8A		T3174 ①				22R02 ②	R-5B

① Alternate Part #T3159

② Tape 5V @ 2A winding and center tap on 6.3V winding.

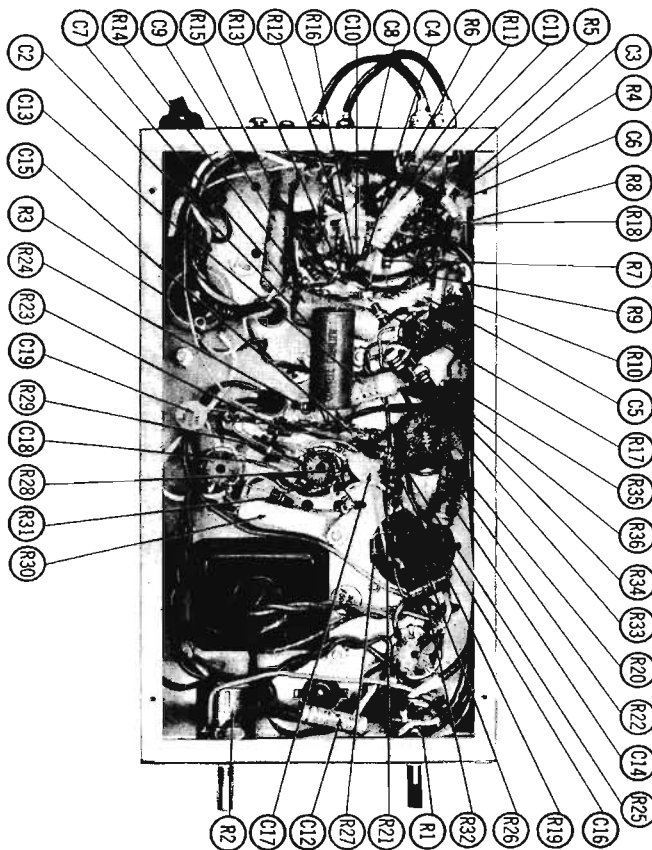
TRANSFORMER (AUDIO OUTPUT)

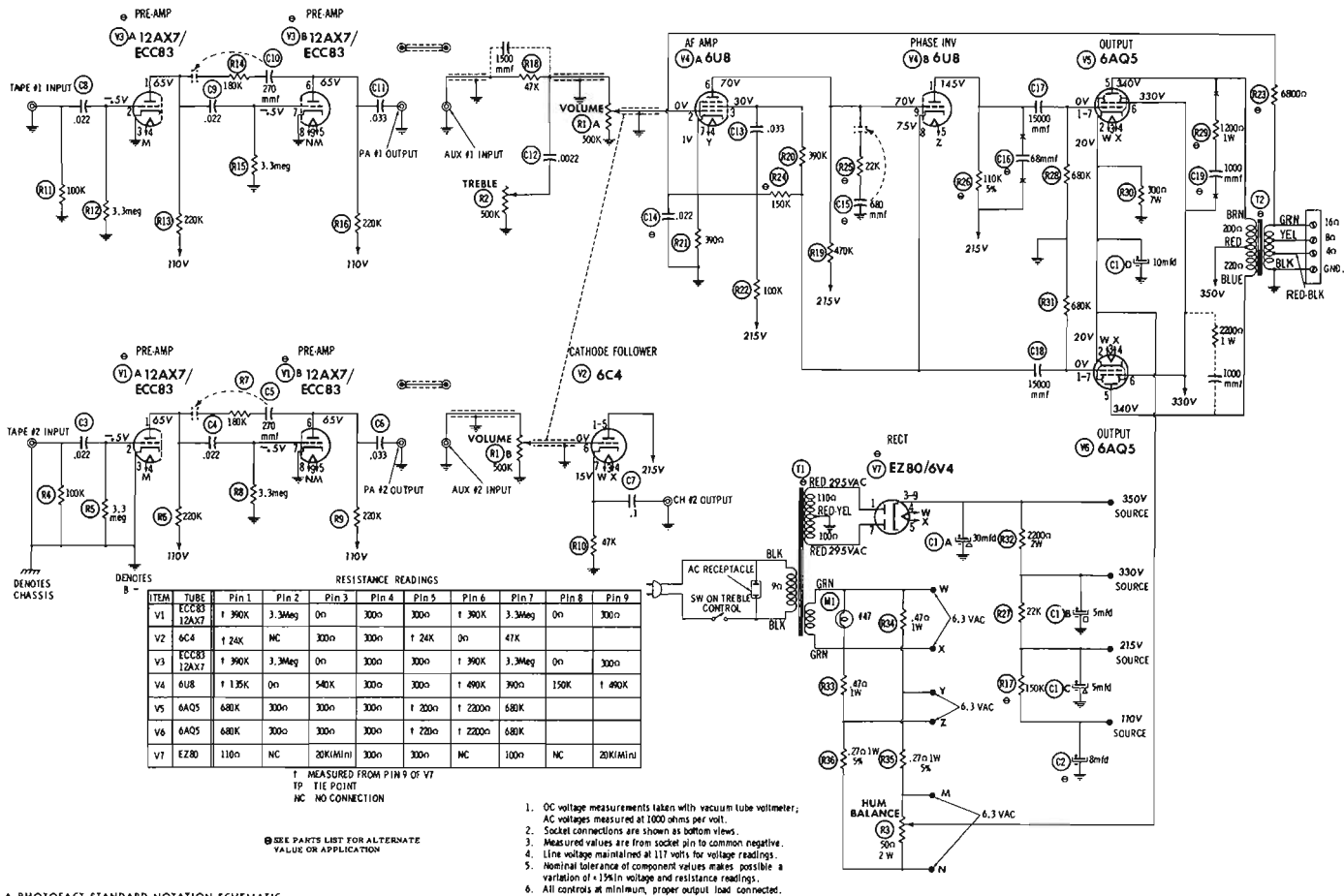
ITEM No.	IMPEDANCE		REPLACEMENT DATA						NOTES
	PRI.	SEC.	David Bogen PART No.	Holldorson PART No.	Merit PART No.	Stancor PART No.	Thordorson PART No.	Triod PART No.	
T2	780Ω	16Ω	T282-1	21112	A-3027			S-28X	① Alternate Part Number ② Drill new mounting holes
	CT Tap @ 8Ω, 4Ω	360Ω CT							

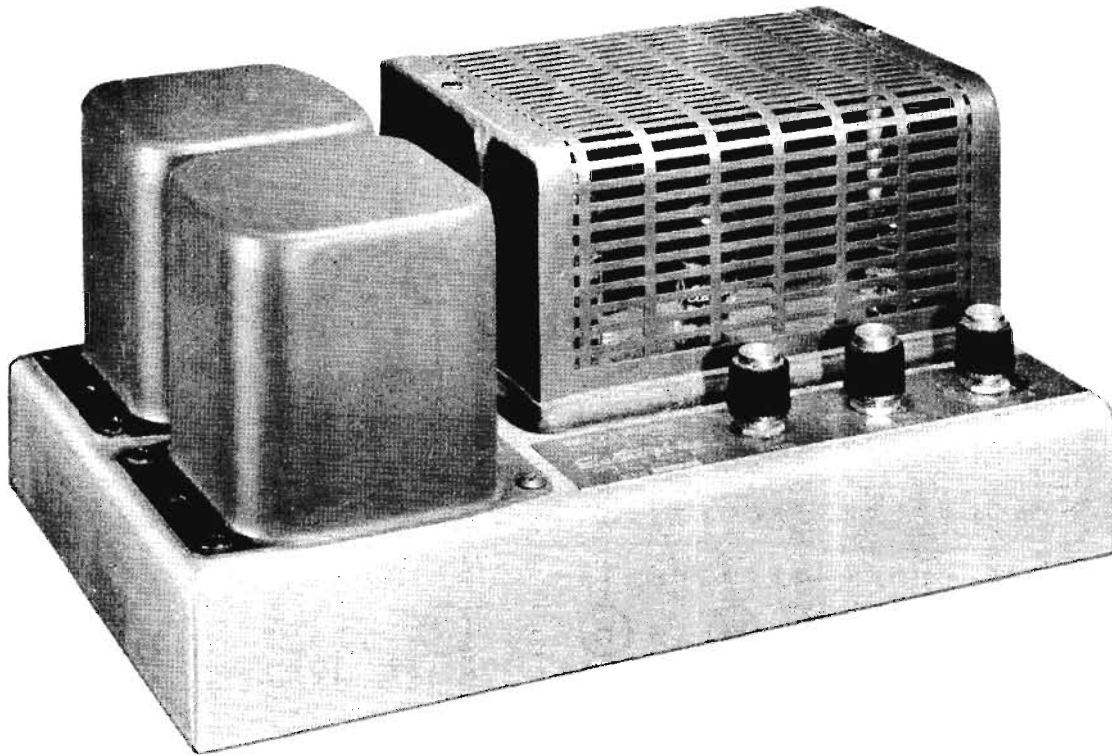
MISCELLANEOUS

ITEM No.	PART NAME	David Bogen PART No.	NOTES
M1	Pilot Light		#47

CHASSIS—BOTTOM VIEW







ELECTRO-VOICE
MODEL A15

TRADE NAME	Electro-Voice Model A15	
MANUFACTURER	Electro-Voice, Inc., Buchanan, Mich.	
TYPE SET	AC Operated Amplifier	
TUBES (Six)	Types 12AX7 AF Amp.-Phase Inv., 12BH7A Driver, (2) EL84 Output, (2) 6X4 Rectifier	
POWER SUPPLY	105-125 Volts AC-60 Cycles	RATING .48 Amp. @ 117 Volts AC

HOWARD W. SAMS & CO., INC. • Indianapolis 5, Indiana

"The listing of any available replacement part herein does not constitute in any case a recommendation, warranty or guaranty by Howard W. Sams & Co., Inc., as to the quality and suitability of such replacement part. The numbers of these parts have been compiled from information furnished to Howard W. Sams & Co., Inc., by the manufacturers of the particular type of replacement part listed."
"Reproduction or use, without express permission, of editorial or pictorial con-

tent, in any manner, is prohibited. No patent liability is assumed with respect to the use of the information contained herein. Copyright 1956 by Howard W. Sams & Co., Inc., Indianapolis 5, Indiana, U. S. of America. Copyright under international Copyright Union. All rights reserved under Inter-American Copyright Union (1910) by Howard W. Sams & Co., Inc." Printed in U. S. of America

PARTS LIST AND DESCRIPTIONS

TUBES (GENERAL ELECTRIC, SYLVANIA)

ITEM No.	USE	TYPE	NOTES	ITEM No.	USE	TYPE	NOTES
V1	A F Amp. -Phase Inv.	12AX7		V4	Output	EL84	
V2	Driver	12BH7A		V5	Rectifier	6X4	
V3	Output	EL84		V8	Rectifier	6X4	

ELECTROLYTIC CAPACITORS

ITEM No.	RATING		REPLACEMENT DATA						SPRAGUE PART No.
	CAP.	VOLT.	Electro-Voice PART No.	AEROVOX PART No.	CORNELL-DUBILER PART No.	MALLOY PART No.	PYRAMID PART No.	SANGAMO PART No.	
C1A	.40	400	4208	AFH2-57	B0450	FP238	TMD-43	D-185	TVL-2784
C1B	.40	400							
C2A	.40	400	4208	AFH2-57	B0450	FP238	TMD-43	D-185	TVL-2784
C2B	.40	400							
C3	20	400	4207	AFH1-45	A0480	FP144	TMS-50	S-280	TVL-1080
C4	50	100	4242	PR8150V50	BR5015	TC49	TD-50-150	FM-1550	TVA-1414

FIXED CAPACITORS

Capacity values given in the rating column are in mfd. for Paper Capacitors, and in mmfd. for Mica and Ceramic Capacitors.

ITEM No.	RATING		REPLACEMENT DATA						NOTES
	CAP.	VOLT.	Electro-Voice PART No.	AEROVOX PART No.	CENTRALAB PART No.	CORNELL-DUBILER PART No.	ERIE PART No.	MALLOY PART No.	
C5	.1	200	4285	P288N-1	DF-104	CUB2P1	831-101	P7401	2TM-P1
C6	100	4281		BPD-0001	DD-101	G042	817-02	UC-531	5GA-71
C7	.022	400	4260	BPD-02	DD-203	CUB4822		PT4122	4TM-822
C8	.047	400	4243	BPD-05	DF-503	CUB4847		PT4147	4TM-847
C9	.047	400	4243	BPD-05	DF-503	CUB4847		PT4147	4TM-847
C10	10000	4257	BPD-01	DD-103	X8R2		811-01	DC-511	5EX-01
C11	.1	600	4241	P888N-1	DF-104	CUB8P1		P7601	6TM-P1
C12	.1	600	4241	P888N-1	DF-104	CUB8P1		P7601	6TM-P1
C13	.047	400	4243	BPD-05	DF-503	CUB4847		PT4147	4TM-847
C14	.047	400	4243	BPD-05	DF-503	CUB4847		PT4147	4TM-847

CONTROLS

ITEM No.	RATING		REPLACEMENT DATA				INSTALLATION NOTES	
	RESISTANCE	WATTS	Electro-Voice PART No.	CENTRALAB PART No.	CLAROSTAT PART No.	IRC PART No.		MALLOY PART No.
R1A	250K	1	74688	B-51	A47-250K-Z	Q13-130	U44	Level Attach to R1A Damping Factor-wire wound Damping Factor-wire wound
R2A	5hft	2	Not Reg. K4688	Not Reg.	PS-3	Not Reg.	Not Reg.	
R1B	1800Ω	2						

RESISTORS

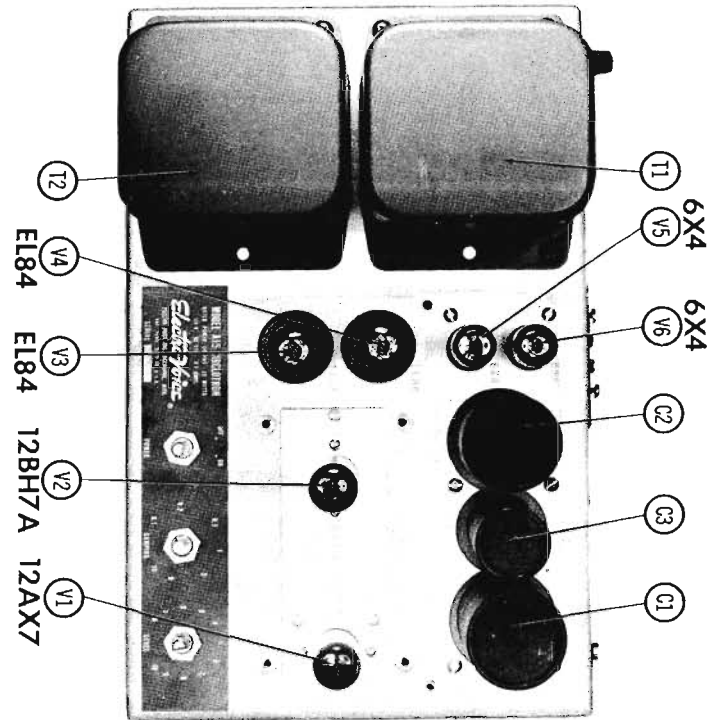
All wattages 1/2 watt, or less, unless otherwise listed.

ITEM No.	RATING		REPLACEMENT DATA		NOTES	ITEM No.	RATING		REPLACEMENT DATA		NOTES
	OHMS	WATT	Electro-Voice PART No.	IRC PART No.			OHMS	WATT	Electro-Voice PART No.	IRC PART No.	
R3	270K		4689	B7S-270K		R14	1200Ω		4658	B7S-1200	
R4	22K		4651	B7S-22K		R15	120Ω		4607	B7S-120	
R5	1.2Meg		4656	B7S-1.2Meg		R16	470K		4650	B7S-470K	
R6	27K		4651	B7S-27K		R17	470K		4650	B7S-470K	
R7	470Ω		4654	B7S-470		R18	120Ω		4607	B7S-120	
R8	27K		4651	B7S-27K		R19	47K		4668	B7S-47K	
R9	470Ω		4650	B7S-470K		R20	1800Ω			B7S-1800	Note 2
R10	470K		4650	B7S-470K		R21	58K		4652	B7S-58K	
R11	470K		4650	B7S-470K	Note 1	R22	58K		4652	B7S-58K	
R12	12K	2	4679	B7S-12K		R23	100Ω	2	4655	B7B-100	
R13	12K	2	4679	B7S-12K		R24	100Ω	2	4655	B7B-100	

Note 1. Not used in some versions.

Note 2. Some versions use 3300Ω in this application (Part #46017).

CHASSIS—TOP VIEW



PARTS LIST AND DESCRIPTIONS (Continued)

TRANSFORMER (POWER)

ITEM No.	RATING				REPLACEMENT DATA					
	PR1.	SEC. 1	SEC. 2	SEC. 3	Electro-Voice PART No.	Holderson PART No.	Merit PART No.	Stancor PART No.	Thorderson PART No.	Triod PART No.
T1	117VAC ①.48A	550VCT ①.024A	550VCT ③.026A	6.3VAC ③3.6A SEC. 4 20V *	1501					

* Bias Supply.

TRANSFORMER (AUDIO OUTPUT)

ITEM No.	IMPEDANCE		REPLACEMENT DATA						NOTES	
	PR1.	SEC.	Electro-Voice PART No.	Holderson PART No.	Merit PART No.	Stancor PART No.	Thorderson PART No.	Triod PART No.		
T2	3000Ω	16Ω tap ④ 80,40	1590							

FUSES

ITEM No.	TYPE	RATING	REPLACEMENT DATA					
			Electro-Voice PART No.		LITTELFUSE PART No.		BUSS PART No.	
			FUSE	HOLDER	FUSE	HOLDER	FUSE	HOLDER
M1	3AG 8/B	1 1/2A 125V	20171		31301.5 (3AG 8/B 1 1/2A)	342001	MDX 1 1/2	HEXP

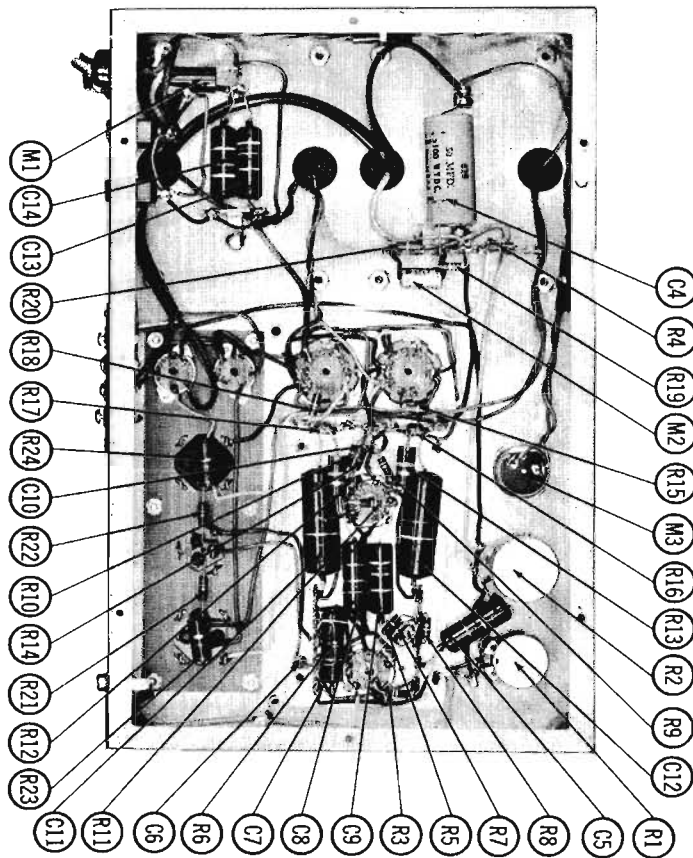
SELENIUM RECTIFIER

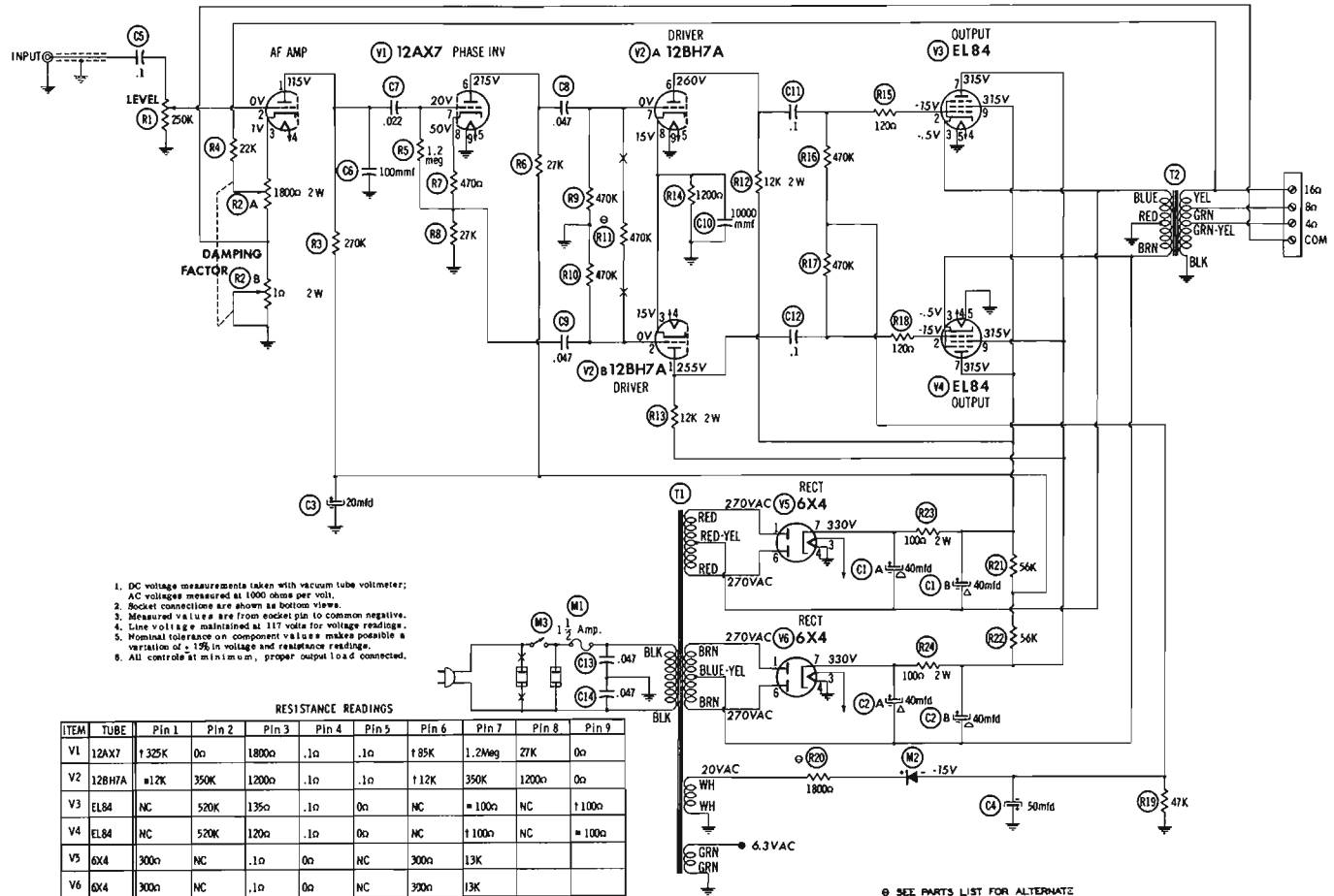
ITEM No.	RATING		REPLACEMENT DATA						NOTES
	CURRENT		Electro-Voice PART No.	FEDERAL PART No.	INTERNATIONAL PART No.	MALORY PART No.	RADIO RECEPTOR PART No.	SARKES TARZIAN PART No.	
M2			5814	1159	CR10	8820		10	

MISCELLANEOUS

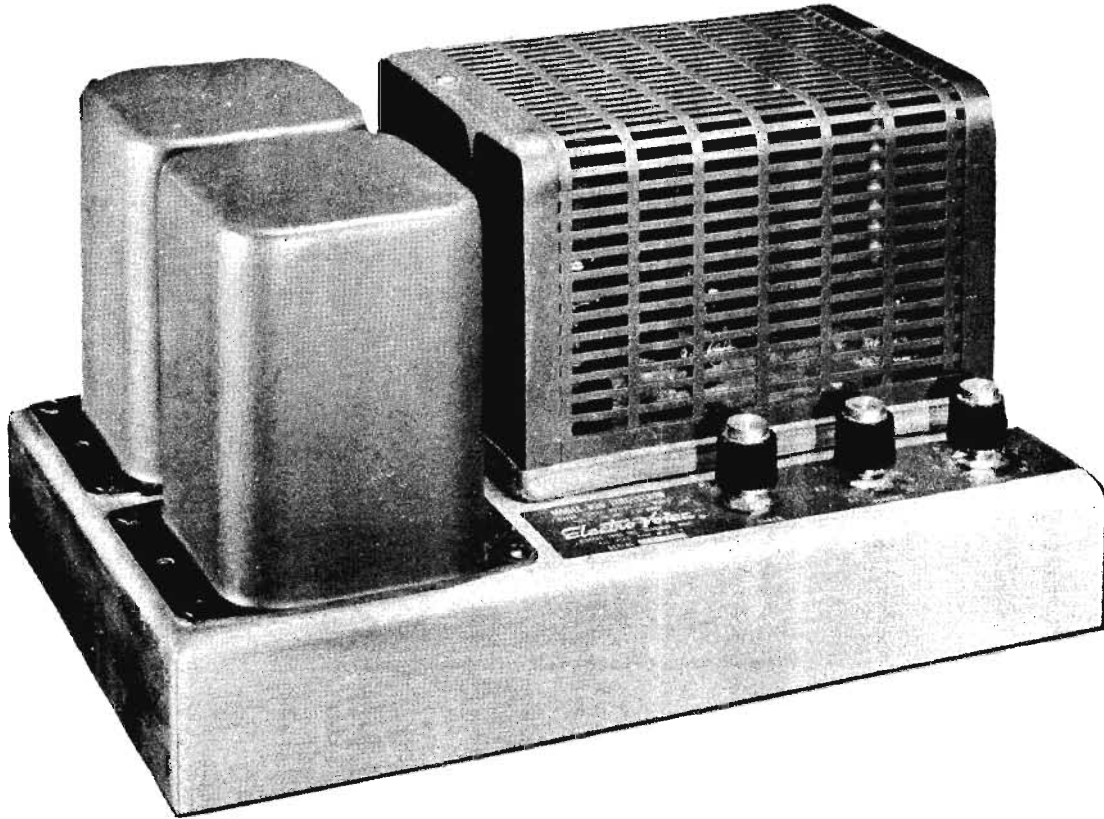
ITEM No.	PART NAME	Electro-Voice PART No.	NOTES
M3	Switch	B5641	On-off (Power) SPST

CHASSIS—BOTTOM VIEW





A PHOTOFAC STANDARD NOTATION SCHEMATIC
 © Howard W. Sams & Co., Inc. 1956



ELECTRO-VOICE
MODEL A20

TRADE NAME	Electro-Voice Model A20		
MANUFACTURER	Electro-Voice, Inc., Buchanan, Mich.		
TYPE SET	AC Operated 20 Watt Amplifier		
TUBES (Six)	Types 12AX7 AF Amplifier-Phase Inverter, 12BH7A Driver, (2) 6V6GT Output, (2) 6X4 Rectifier		
POWER SUPPLY	105-125 Volts AC - 60 Cycles	FATMG	.59 Amp. ② 117 Volts AC

HOWARD W. SAMS & CO., INC. • Indianapolis 5, Indiana

"The listing of any available replacement part herein does not constitute in any case a recommendation, warranty or guaranty by Howard W. Sams & Co., Inc., as to the quality and suitability of such replacement part. The numbers of these parts have been compiled from information furnished to Howard W. Sams & Co., Inc., by the manufacturers of the particular type of replacement part listed."
"Reproduction or use, without express permission, of editorial or pictorial con-

tent, in any manner, is prohibited. No patent liability is assumed with respect to the use of the information contained herein. Copyright 1956 by Howard W. Sams & Co., Inc., Indianapolis 5, Indiana, U. S. of America. Copyright under International Copyright Union. All rights reserved under Inter-American Copyright Union (1910) by Howard W. Sams & Co., Inc." Printed in U. S. of America

PARTS LIST AND DESCRIPTIONS

TUBES (GENERAL ELECTRIC, SYLVANIA)

ITEM No.	USE	TYPE	NOTES
V1	AF Amp. -Phase Inv.	12AX7	
V2	Driver	12BH7A	
V3	Output	6V6GT	

ITEM No.	USE	TYPE	NOTES
V4	Output Rectifier	6V6GT	
V5	Rectifier	6X4	
V6	Rectifier	6X4	

ELECTROLYTIC CAPACITORS

ITEM No.	RATING		REPLACEMENT DATA						
	CAP.	VOLT.	Electro-Voice PART No.	AEROVOX PART No.	CORNELL DUBILIER PART No.	MALLORY PART No.	PYRAMID PART No.	SANGAMO PART No.	SPRAGUE PART No.
C1A	.40	500	4247	AFH2-72	B053	FP288	TMD-82	D-275	R1495 *
C2A	.40	500	4247	AFH2-72	B053	FP288	TMD-82	D-275	R1495 *
C3	.40	500							
C4	20	450	4246	AFEL-50	A046	FP144	TMB-55	B-280	TVL-1714
	50	100	4242	PRSI50V50	BR6015	TC49	TD-50-150	FM-1650	TYA-1414

* Non-catalog item.

FIXED CAPACITORS

Capacity values given in the rating column are in mfd. for Paper Capacitors, and in mmfd. for Mica and Ceramic Capacitors.

ITEM No.	RATING		REPLACEMENT DATA						NOTES
	CAP.	VOLT.	Electro-Voice PART No.	AEROVOX PART No.	CENTRALAB PART No.	CORNELL DUBILIER PART No.	ERIE PART No.	MALLORY PART No.	
C5	.1	200	4285	P288N-1	DF-104	CUB2P1		PT401	2TM-P1
C6	100	4281	4281	BPD-0001	DD-101	G042	831-101	UC-531	5GA-T1
C7	.022	400	4280	BPD-02	DD-203	CUB4822	817-02	PT4122	4TM-322
C8	.047	400	4243	BPD-05	DF-503	CUB4847		PT4147	4TM-847
C9	.047	400	4243	BPD-05	DF-503	CUB4847		PT4147	4TM-847
C10	10000	4257			DD-103	K082	811-01	DC-511	5HK-81
C11	.1	800	4241	P688N-1	DF-104	CUB2P1		PT601	8TM-P1
C12	.1	800	4241	P688N-1	DF-104	CUB2P1		PT601	8TM-P1
C13	.047	400	4243	BPD-05	DF-503	CUB4847		PT4147	4TM-847
C14	.047	400	4243	BPD-05	DF-503	CUB4847		PT4147	4TM-847

CONTROLS

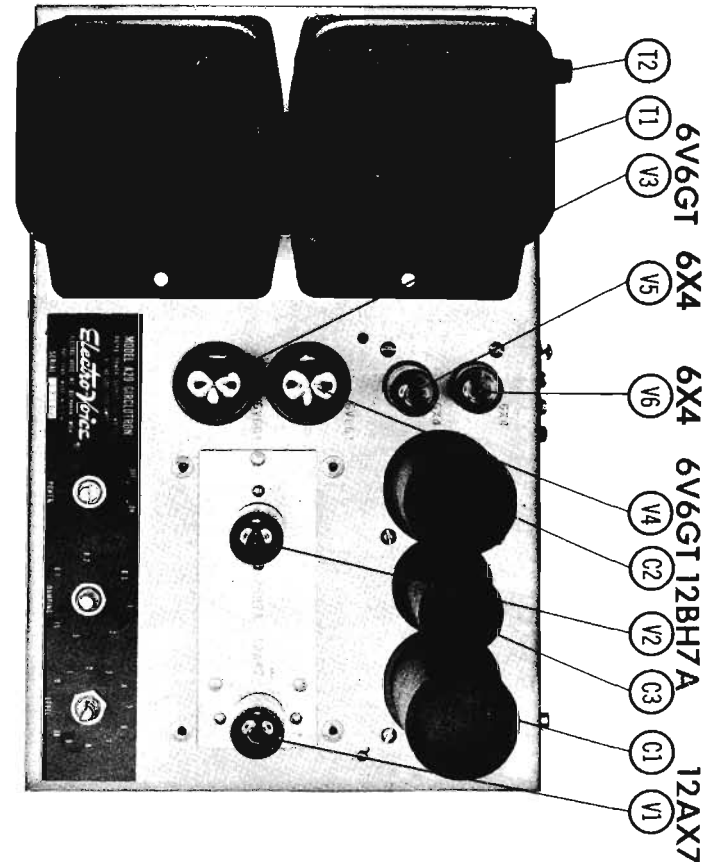
ITEM No.	RATING		REPLACEMENT DATA				INSTALLATION NOTES	
	RESISTANCE	WATTS	Electro-Voice PART No.	CENTRALAB PART No.	CLAROSTAT PART No.	IRC PART No.		MALLORY PART No.
R1A	250K	1	J4686	B-51	A47-250K-Z	Q13-130	U44	Level Attach to R1A Damping factor- wire wound Damping factor- wire wound
R2A	Shaft	2	Not Req.	Not Req.	F8-3	Not Req.	Not Req.	
R3A	1800Ω	2	K4688					

RESISTORS

All wattages 1/2 watt, or less, unless otherwise listed.

ITEM No.	RATING		REPLACEMENT DATA		NOTES	ITEM No.	RATING		REPLACEMENT DATA		NOTES
	OHMS	WATT	Electro-Voice PART No.	IRC PART No.			OHMS	WATT	Electro-Voice PART No.	IRC PART No.	
R4	270K		4669	B7B-270K		R14	120Ω		4607	B7B-120	
R5	27K		4651	B7B-27K		R15	470K		4650	B7B-470K	
R6	1.2Meg		4658	B7B-1.2Meg		R16	470K		4650	B7B-470K	
R7	27K		4651	B7B-27K		R17	120Ω		4607	B7B-120	
R8	470Ω		4654	B7B-470		R18	47K		4686	B7B-47K	
R9	27K		4651	B7B-27K		R19	1000Ω		4693	B7B-1000	
R10	470K		4650	B7B-470K		R20	56K		4652	B7B-56K	
R11	470K		4650	B7B-470K		R21	56K		4652	B7B-56K	
R12	12K	2	4678	B7B-12K		R22	100Ω	2	4655	B7B-100	
R13	1200Ω	2	4679	B7B-1200		R23	100Ω	2	4655	B7B-100	

CHASSIS—TOP VIEW



PARTS LIST AND DESCRIPTIONS (Continued)

TRANSFORMER (POWER)

ITEM No.	RATING				REPLACEMENT DATA					
	PRI.	SEC. 1	SEC. 2	SEC. 3	Electro-Voice PART No.	Halderson PART No.	Merit PART No.	Stancor PART No.	Thordarson PART No.	Triad PART No.
T1	117VAC ④ .58A	710VCT ④ .028A	715VCT ④ .025A	8.3VAC ④ 3.05A SEC. 4 20VAC *	1580					

* Bias supply.

TRANSFORMER (AUDIO OUTPUT)

ITEM No.	IMPEDANCE		REPLACEMENT DATA						NOTES
	PRI.	SEC.	Electro-Voice PART No.	Halderson PART No.	Merit PART No.	Stancor PART No.	Thordarson PART No.	Triad PART No.	
T2	2000Ω	18Ω tap ④ 80, 41Ω	1579						

FUSES

ITEM No.	TYPE	RATING	REPLACEMENT DATA					
			Electro-Voice PART No.		LITTELFUSE PART No.		BUSS PART No.	
			FUSE	HOLDER	FUSE	HOLDER	FUSE	HOLDER
M1	3AG S/B	1½A 125V			31301.5 (3AG S/B 1½A)	342001	MDL 1½	HKP

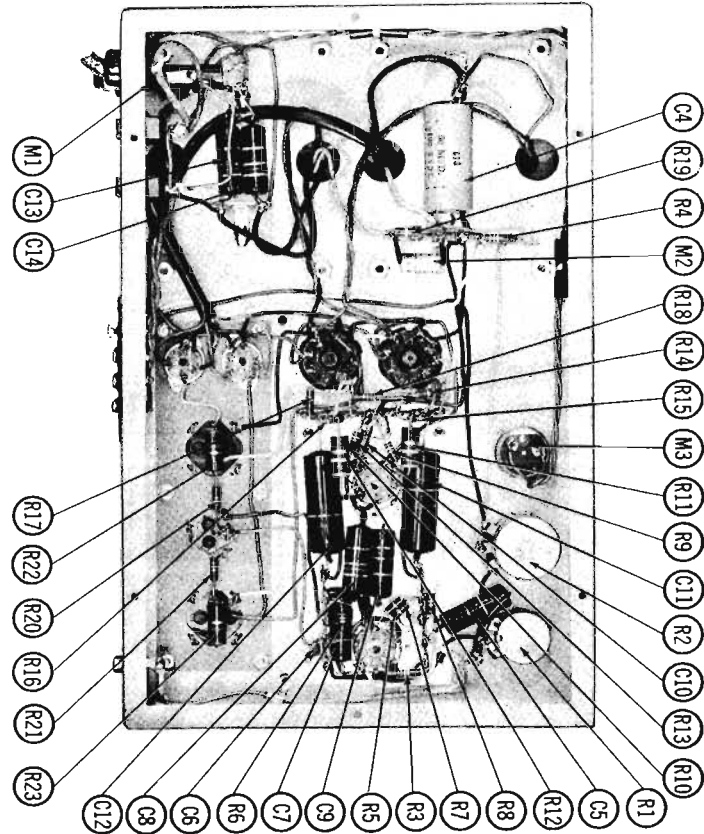
SELENIUM RECTIFIER

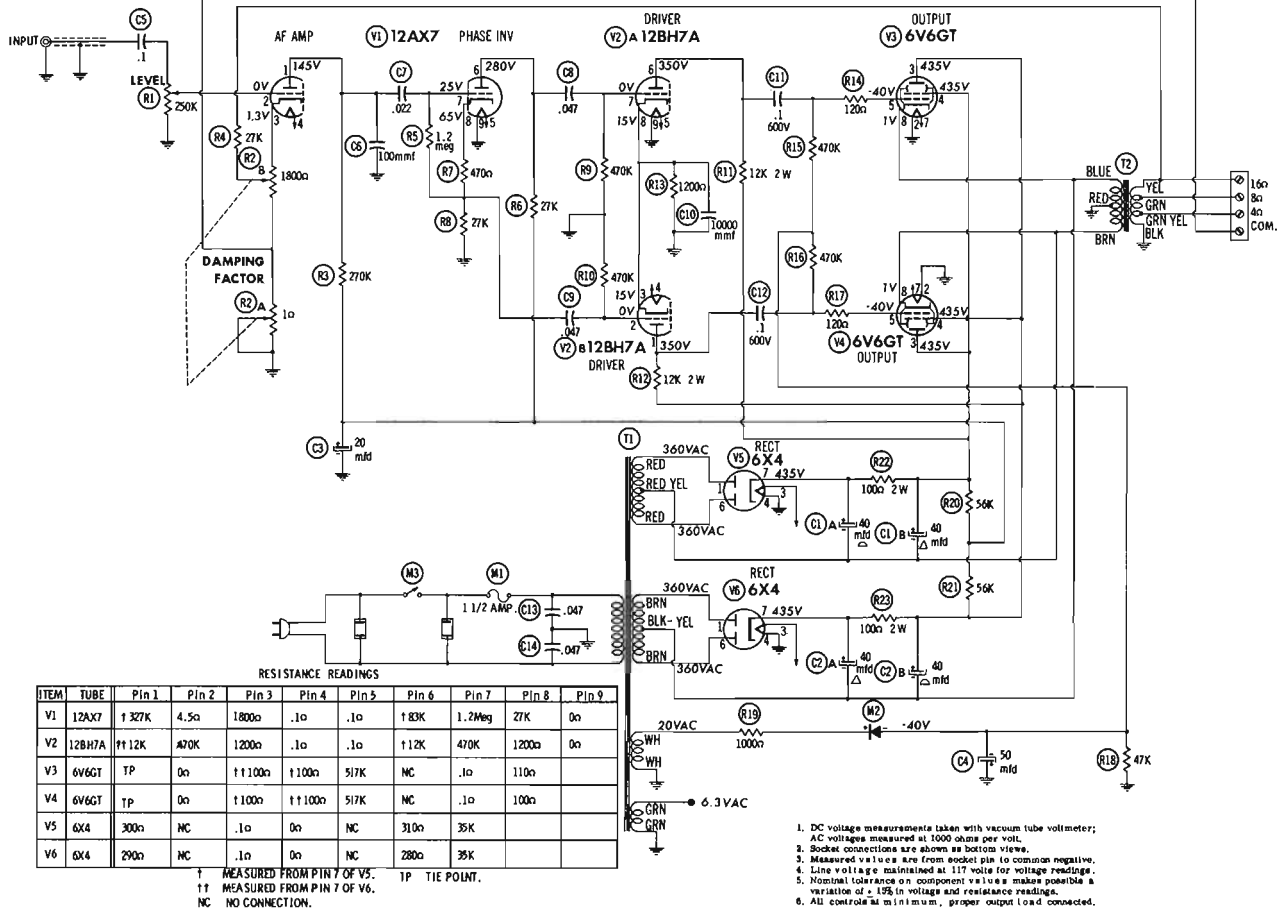
ITEM No.	RATING		REPLACEMENT DATA					NOTES
	CURRENT	Electro-Voice PART No.	FEDERAL PART No.	INTERNATIONAL PART No.	MALLORY PART No.	RADIO RECEPTOR PART No.	SARKIS TARZIAN PART No.	
M2		5814	1159	CR10	8820		10	

MISCELLANEOUS

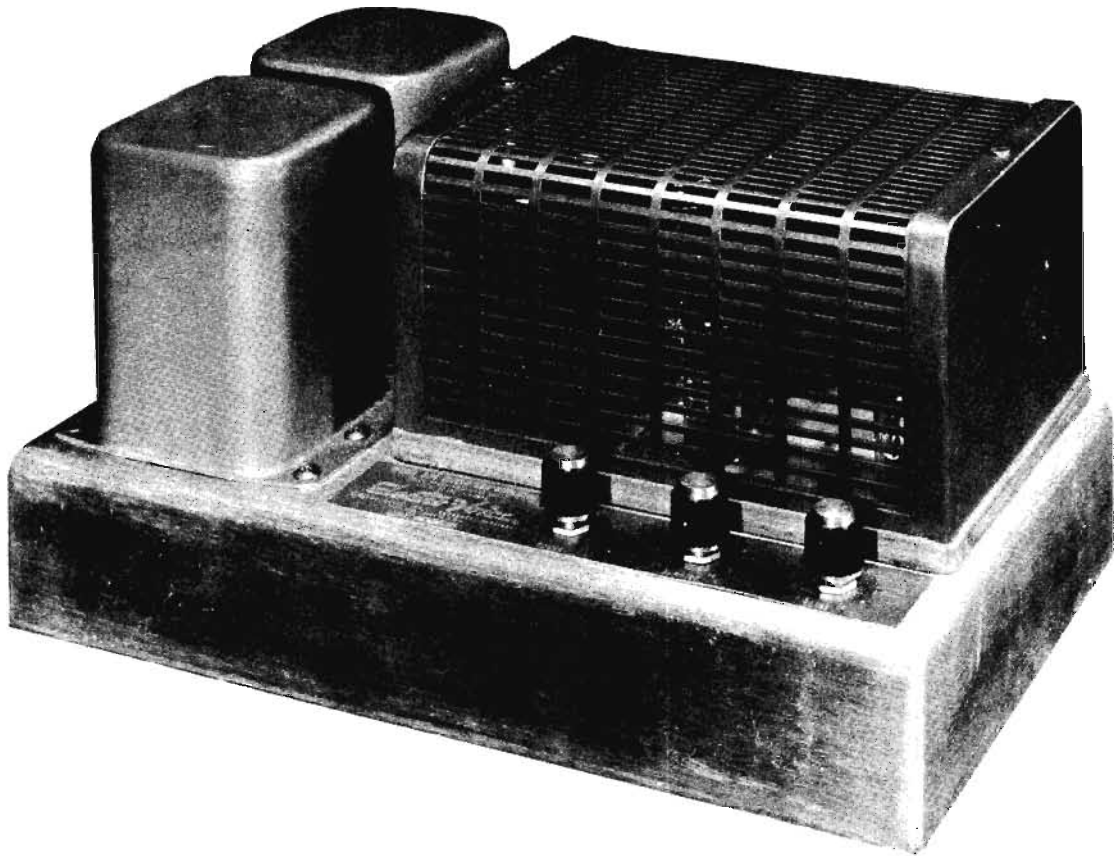
ITEM No.	PART NAME	Electro-Voice PART No.	NOTES
M3	Switch	B5641	On-off (power) SPST

CHASSIS—BOTTOM VIEW





A PHOTOFAC STANDARD NOTATION SCHEMATIC
 © Howard W. Sams & Co., Inc. 1956



**ELECTRO-VOICE
 MODEL A30**

TRADE NAME	Electro-Voice Model A30	
MANUFACTURER	Electro-Voice, Inc., Buchanan, Michigan	
TYPE SET	AC Operated 30 Watt Audio Amplifier	
TUBES (Six)	Types 12AX7 AF Amp. -Phase Inv., 12BH7A Driver, (2) 1614 Output, (2) 5Y3GT Rectifier	
POWER SUPPLY	105-125 Volts AC - 60 Cycles	RATING 1 Amp. @ 117 Volts AC (110 Watts)

HOWARD W. SAMS & CO., INC. • Indianapolis 5, Indiana

"The listing of any available replacement part herein does not constitute in any case a recommendation, warranty or guaranty by Howard W. Sams & Co., Inc., as to the quality and suitability of such replacement part. The numbers of these parts have been compiled from information furnished to Howard W. Sams & Co., Inc., by the manufacturers of the particular type of replacement part listed."
 "Reproduction or use, without express permission, of editorial or pictorial content, in any manner, is prohibited. No patent liability is assumed with respect to the use of the information contained herein. Copyright 1957 by Howard W. Sams & Co., Inc., Indianapolis 5, Indiana, U. S. of America. Copyright under international Copyright Union. All rights reserved under Inter-American Copyright Union (1910) by Howard W. Sams & Co., Inc." Printed in U. S. of America

tent, in any manner, is prohibited. No patent liability is assumed with respect to the use of the information contained herein. Copyright 1957 by Howard W. Sams & Co., Inc., Indianapolis 5, Indiana, U. S. of America. Copyright under international Copyright Union. All rights reserved under Inter-American Copyright Union (1910) by Howard W. Sams & Co., Inc." Printed in U. S. of America

PARTS LIST AND DESCRIPTIONS

TUBES (GENERAL ELECTRIC, SYLVANIA)

ITEM No.	USE	TYPE	NOTES	ITEM No.	USE	TYPE	NOTES
V1	AF Amp. -Phase Inverter	12AX7		V4	Output	1814	
V2	Driver	12BH7A		V5	Rectifier	5Y3GT	
V3	Output	1814		V6	Rectifier	5Y3GT	

ELECTROLYTIC CAPACITORS

ITEM No.	RATING		REPLACEMENT DATA						
	CAP.	VOLT.	Electro-Voice PART No.	AEROVOX PART No.	CORNELL-DUBILIER PART No.	MALLORY PART No.	PYRAMID PART No.	SANGAMO PART No.	SPRAGUE PART No.
C1A	4 40	500	4247	AFH2-72	BOS30	FP288	TMD-82	D-275	TVL-2940
B	4 40	500							
C2A	4 40	500	4247	AFH2-72	BOS30	FP288	TMD-82	D-275	TVL-2940
B	4 40	500							
C3	20	450	4248	AFH1-50	AO480	FP144	TMS-55	S-260	TVL-1714
C4	50	100	4242	PRS150V5	BR5015	TC49	TD-50-150	FM-1550	TVA-1414

FIXED CAPACITORS

Capacity values given in the rating column are in mfd. for Paper Capacitors, and in mmfd. for Mica and Ceramic Capacitors.

ITEM No.	RATING		REPLACEMENT DATA								NOTES
	CAP.	VOLT.	Electro-Voice PART No.	AEROVOX PART No.	CENTRALAB PART No.	CORNELL-DUBILIER PART No.	ERIE PART No.	MALLORY PART No.	SPRAGUE PART No.		
C5	.1	200	4285	P288N-1	DF-104	CUB2P1		GEM-401	27M-P1		
C6	100	400	4281	BPD-0001	DD-101	L10T1	ED-100	UC-531	5GA-T1		
C7	.022	400	4280	BPD-02	DD-203	CUB4S22	ED-02	GEM-4122	47M-S22		
C8	.022	400	4280	BPD-02	DD-203	CUB4S22	ED-02	GEM-4122	47M-S22		
C9	.1	800	4241	P688N-1	DF-104	CUB8P1		GEM-601	67M-P1		
C10	100000		4257	BPD-01	DD-103	BYA684	GP-10000	DC611	58K-S1		
C11	.022	400	4280	BPD-02	DD-203	CUB4S22	ED-02	GEM-4122	47M-S22		
C12	.1	800	4241	P688N-1	DF-104	CUB8P1		GEM-601	67M-P1		
C13	.047	400	4243	BPD-05	DF-503	CUB4S47		GEM-4147	47M-S47		
C14	.047	400	4243	BPD-05	DF-503	CUB4S47		GEM-4147	47M-S47		
C15	.05	1800		P1888N-05		CUB18S5		GEM-1815	187M-S5	Note 1	
C18	.05	1800		P1888N-05		CUB18S5		GEM-1815	187M-S5	Note 1	

Note 1: Not used in some versions.

CONTROLS

ITEM No.	RATING		REPLACEMENT DATA					INSTALLATION NOTES
	RESISTANCE	WATTS	Electro-Voice PART No.	CENTRALAB PART No.	CLAROSTAT PART No.	IRC PART No.	MALLORY PART No.	
R1A	250K	1	74888	B-51	A47-250K-Z	Q13-130	U44	Level
B	Shaft			Not Req.	PS-3	Not Req.	Not Req.	Damping (Wire-wound)
R2A	1K	2	K4888					Damping (Wire-wound)
B	1800Ω							

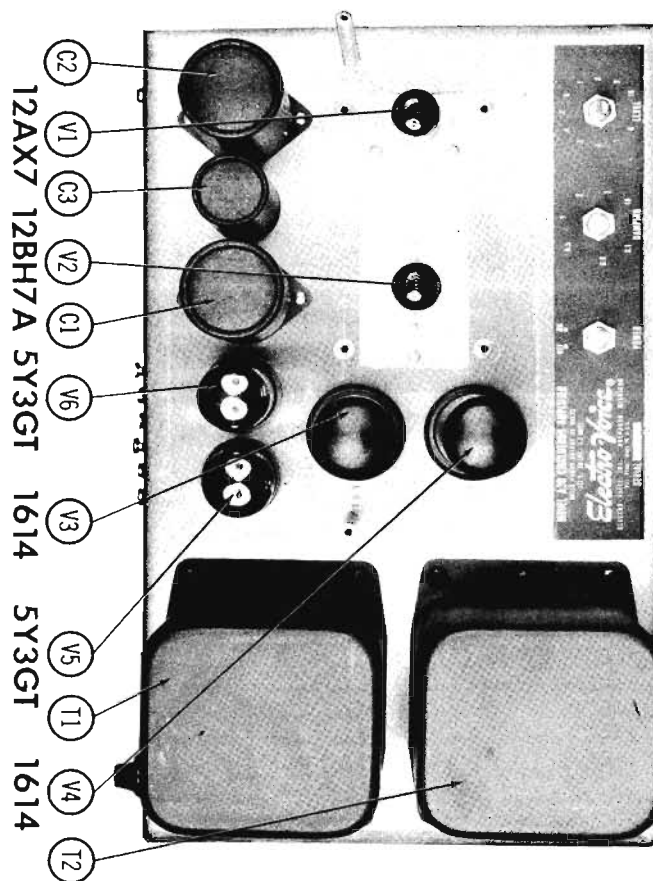
RESISTORS

All wattages 1/2 watt, or less, unless otherwise listed.

ITEM No.	RATING		REPLACEMENT DATA		NOTES	ITEM No.	RATING		REPLACEMENT DATA		NOTES
	OHMS	WATT	Electro-Voice PART No.	IRC PART No.			OHMS	WATT	Electro-Voice PART No.	IRC PART No.	
R3	270K		4889	BTS-270K		R18	1200Ω		4858	BTS-1200	
R4	2.7K 5%	1	4880			R17	470K		4850	BTS-470K	Note 1
R5	33K		4885	BTS-33K		R18	470K		4850	BTS-470K	
R6	1.2M eg		4888	BTS-1.2M eg		R19	120Ω		4807	BTS-120	
R7	27K		4851	BTS-27K		R20	1000Ω		4893	BTS-1000	
R8	470Ω		4884	BTS-470		R21	47K		4888	BTS-47K	
R9	27K		4851	BTS-27K		R22	470K		4850	BTS-470K	Note 1
R10	58K		4852	BTS-58K		R23	470K		4850	BTS-470K	
R11	58K		4852	BTS-58K		R24	120Ω		4807	BTS-120	
R12	470K		4850	BTS-470K		R25	1000Ω		4893	BTS-1000	
R13	12K	2	4878	BTS-12K		R28	1000Ω		4893	BTS-1000	
R14	470K		4850	BTS-470K		R27	100Ω	4	4884	PW4-100	
R15	12K	2	4878	BTS-12K		R28	100Ω	4	4884	PW4-100	

Note 1: Not used in some versions.

CHASSIS—TOP VIEW



PARTS LIST AND DESCRIPTIONS (Continued)

TRANSFORMER (POWER)

ITEM No.	RATING				REPLACEMENT DATA					
	PRI.	SEC. 1	SEC. 2	SEC. 3	Electro-Voice PART No.	Holldorson PART No.	Merit PART No.	Stancor PART No.	Thordarson PART No.	Triad PART No.
T1	117VAC ⊕ 1A	760VCT ⊕ .050A	760VCT ⊕ .050A	48VAC ⊕ 0A (Bias winding)	1894					
		SEC. 4	SEC. 5	SEC. 6						
		5VAC ⊕ 3A	5VAC ⊕ 3A	5.3VAC ⊕ 2.7A						

TRANSFORMER (AUDIO OUTPUT)

ITEM No.	IMPEDANCE		REPLACEMENT DATA					NOTES	
	PRI.	SEC.	Electro-Voice PART No.	Holldorson PART No.	Merit PART No.	Stancor PART No.	Thordarson PART No.		Triad PART No.
T2	1500Ω CT Tap⊕ 70V	18Ω Tap⊕ 8Ω, 4Ω	1593						

SELENIUM RECTIFIER

ITEM No.	RATING	REPLACEMENT DATA					NOTES
	CURRENT	Electro-Voice PART No.	FEDERAL PART No.	INTERNATIONAL PART No.	MAILORY PART No.	RADIO RECEPTOR PART No.	
M1		5914	1159	CRI10	8520		10

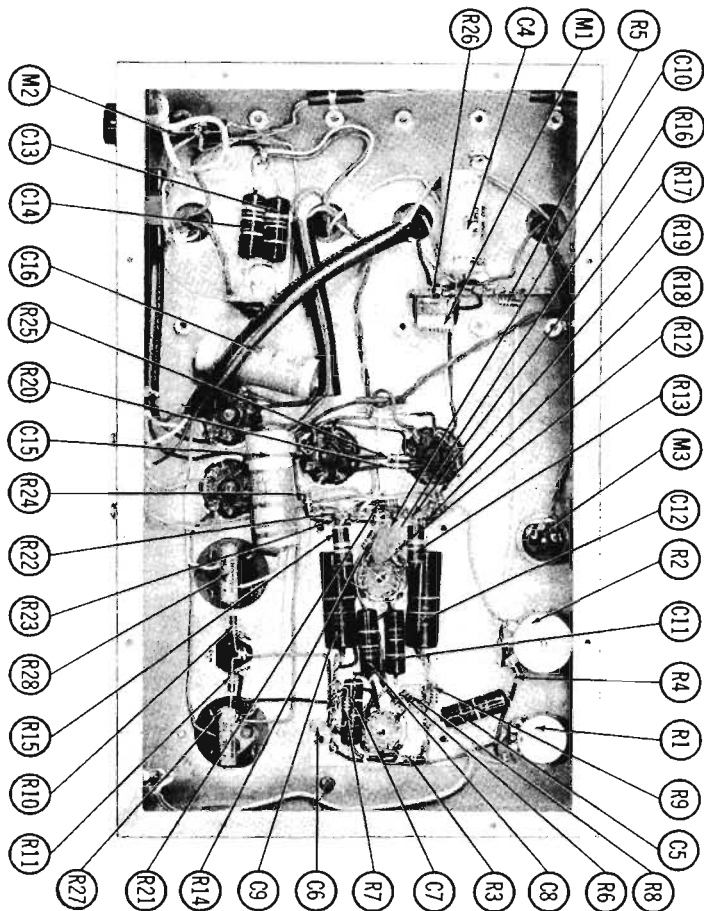
FUSES

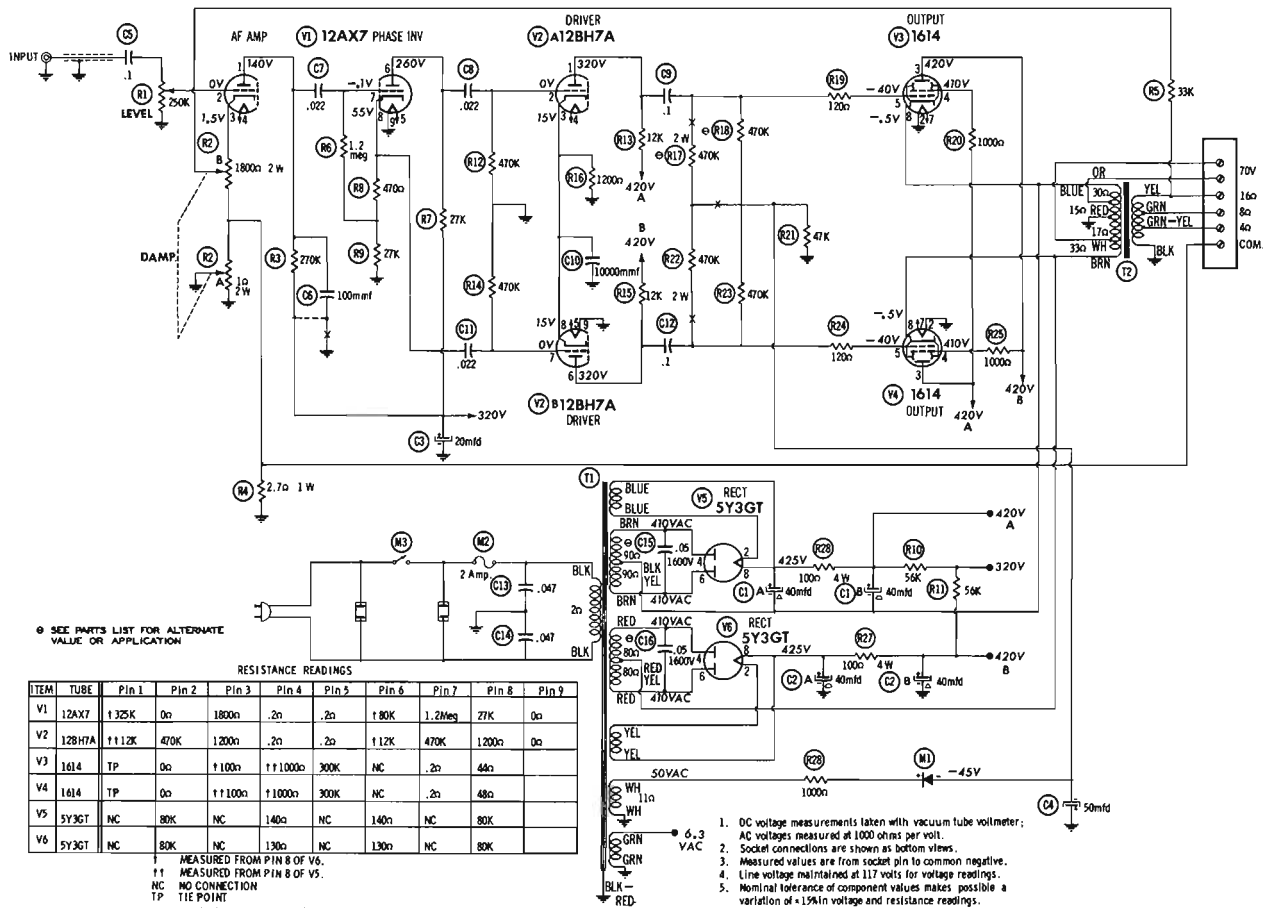
ITEM No.	TYPE	RATING	REPLACEMENT DATA						
			Electro-Voice PART No.		LITTELFUSE PART No.		BUSS PART No.		
			FUSE	HOLDER	FUSE	HOLDER	FUSE	HOLDER	
M2	3AG S/B	2A 125V	20143		313002. (3AG-S/B-2A)	34200L		MDX 2	HXP

MISCELLANEOUS

ITEM No.	PART NAME	Electro-Voice PART No.	NOTES
M3	Switch	B5641	On-Off, Rotary

CHASSIS—BOTTOM VIEW







**ELECTRO-VOICE
 MODEL PC2**

TRADE NAME	Electro-Voice Model PC2	
MANUFACTURER	Electro-Voice Inc., Buchanan, Mich.	
TYPE SET	AC Operated Equalizer Preamplifier	
TUBES (Three)	Types 12AX7 Phono Preamplifier, 12AX7 AF Amplifier, 6X4 Rectifier	
POWER SUPPLY	105-125 Volts AC - 60 Cycles	RATING .22 Amp. @ 117 Volts AC

HOWARD W. SAMS & CO., INC. • Indianapolis 5, Indiana

"The listing of any available replacement part herein does not constitute in any case a recommendation, warranty or guaranty by Howard W. Sams & Co., Inc., as to the quality and suitability of such replacement part. The numbers of these parts have been compiled from information furnished to Howard W. Sams & Co., Inc., by the manufacturers of the particular type of replacement part listed."
 "Reproduction or use, without express permission, of editorial or pictorial content, in any manner, is prohibited. No patent liability is assumed with respect to the use of the information contained herein. Copyright 1957 by Howard W. Sams & Co., Inc., Indianapolis 5, Indiana, U. S. of America. Copyright under international Copyright Union. All rights reserved under Inter-American Copyright Union (1910) by Howard W. Sams & Co., Inc." Printed in U. S. of America

tent, in any manner, is prohibited. No patent liability is assumed with respect to the use of the information contained herein. Copyright 1957 by Howard W. Sams & Co., Inc., Indianapolis 5, Indiana, U. S. of America. Copyright under international Copyright Union. All rights reserved under Inter-American Copyright Union (1910) by Howard W. Sams & Co., Inc." Printed in U. S. of America

PARTS LIST AND DESCRIPTIONS

TUBES (GENERAL ELECTRIC, SYLVANIA)

ITEM No.	USE	TYPE	NOTES
V1	Phono Preamplifier	12AX7	
V2	AF Amplifier	12AX7	

ITEM No.	USE	TYPE	NOTES
V3	Rectifier	6X4	

ELECTROLYTIC CAPACITORS

ITEM No.	RATING		REPLACEMENT DATA						
	CAP.	VOLT.	Electro-Voice PART No.	AEROVOX PART No.	CORNELL-DUBILIER PART No.	MALLORY PART No.	PYRAMID PART No.	SANGAMO PART No.	SPRAGUE PART No.
C1A	.20	350	42045						
B	.20	350							
C	.20	350							
C2	12	250	(Note 1)	PR8250V12	BBR12-250	TC53	TD-12-250	FM-2512	TVA-1505
C3	20	25	42046	PR850V20	BBR20-25	TC28	TD-25-25	FM-0225	TVA-1205

Note 1: Not used in some versions.

FIXED CAPACITORS

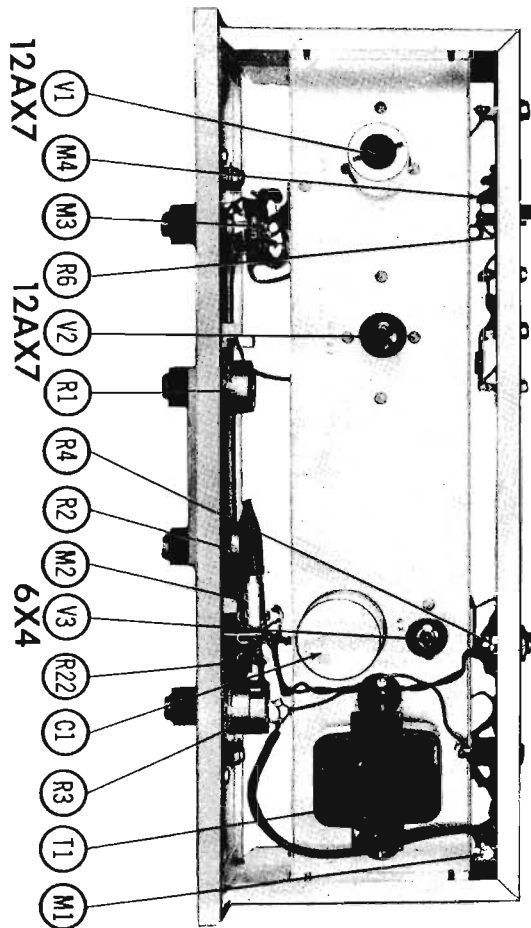
Capacity values given in the rating column are in mfd. for Paper Capacitors, and in mmfd. for Mica and Ceramic Capacitors.

ITEM No.	RATING		REPLACEMENT DATA							NOTES
	CAP.	VOLT.	Electro-Voice PART No.	AEROVOX PART No.	CENTRALAB PART No.	CORNELL-DUBILIER PART No.	ERIE PART No.	MALLORY PART No.	SPRAGUE PART No.	
C4	10000		4252	BPD-01	DD-103	BYA8S1	GP-10000	DC511	5HK-81	
C5	5000		42002	BPD-005	DD-502	BYA10D5	GP-5000	DC525	5HK-D5	
C6	10000		4252	BPD-01	DD-103	BYA8S1	GP-10000	DC511	5HK-81	
C7	2000		4259	BPD-002	DD-202	BYA10D2	GP-2000	DC522	5HK-D2	
C8	10000		4252	BPD-01	DD-103	BYA8S1	GP-10000	DC511	5HK-81	
C9	.1	400	4245	P48BN-1	DF-104	CUB4P1	ED-500	UC-535	5GA-T5	
C10	500		42003	BPD-0005	DD-501	BYA10T5	ED-500	UC-535	5GA-T5	
C11	500		42003	BPD-0005	DD-501	BYA10T5	ED-500	UC-535	5GA-T5	
C12	.1	400	4245	P48BN-1	DF-104	CUB4P1	ED-500	UC-535	5GA-T5	
C13	200		4256	BPD-0002	DD-201	LI0T3	ED-200	UC-532	5GA-T2	
C14	2000		4259	BPD-002	DD-202	BYA10D2	GP-2000	DC522	5HK-D2	
C15	10000		4257	BPD-01	DD-103	BYA8S1	GP-10000	DC511	5HK-81	
C16	1000		4258	BPD-001	DD-102	BYA6D2	ED-1000	DC521	5HK-D1	
C17	.1	400	4245	P48BN-1	DF-104	CUB4P1	ED-1000	GBM-401	4TM-P1	

CONTROLS

ITEM No.	RATING		REPLACEMENT DATA					INSTALLATION NOTES
	RESISTANCE	WATTS	Electro-Voice PART No.	CENTRALAB PART No.	CLAROSTAT PART No.	IRC PART No.	MALLORY PART No.	
R1A	50K		448086	B-32	A47-50K-Z	Q13-123	U33	Volume
B	Shaft			Not Req.	FS-3	Not Req.	Not Req.	
R2A	1Meg		44886	B-70	A47-1Meg-Z	Q13-137	U53	Treble
B	Shaft			Not Req.	FS-3	Not Req.	Not Req.	
R3A	1Meg		24666	B-70	A47-1Meg-Z	Q13-137	U55	Bass
B	Shaft			Not Req.	FS-3	Not Req.	Not Req.	
C	Switch			KB-1	SWE-12	76-1	US-26	
R4A	5000	1	R4888	AB-4	A47-500-S	Q11-103	U2	Hum Balance (Ceramic)
B	Shaft			AK-1	FKS-1/4	RQ	Not Req.	
R5A	5000	1	R4888	AB-4	A47-500-S	Q11-103	U2	Hum Balance (Magnetic)
B	Shaft			AK-1	FKS-1/4	RQ	Not Req.	

CHASSIS—TOP VIEW



PARTS LIST AND DESCRIPTIONS (Continued)

RESISTORS

All wattages 1/2 watt, or less, unless otherwise listed.

ITEM No.	RATING		REPLACEMENT DATA		NOTES	ITEM No.	RATING		REPLACEMENT DATA		NOTES
	OHMS	WATT	Electro-Voice PART No.	IRC PART No.			OHMS	WATT	Electro-Voice PART No.	IRC PART No.	
R6	22Meg		4008	BTS-22Meg		R20	4700R		4675	BTS-4700	
R7	47K		4688	BTS-47K		R21	120K		4670	BTS-120K	
R8	120K		4670	BTS-120K		R22	12K		4649	BTS-12K	
R9	2200Ω		4676	BTS-2200		R23	120K		4670	BTS-120K	
R10	12Meg		4672	BTS-12Meg		R24	18K		40029	BTS-18K	
R11	120K		4670	BTS-120K		R25	800R		45045	BTS-800	
R12	1.2Meg		4656	BTS-1.2Meg		R26	390K		40028	BTS-390K	
R13	120K		4670	BTS-120K		R27	330K		4685	BTS-330K	
R14	1.2Meg		4656	BTS-1.2Meg		R28	1.2Meg		4656	BTS-1.2Meg	
R15	270K		4669	BTS-270K		R29	47K		4668	BTS-47K	
R16	270K		4669	BTS-270K		R30	47K		4668	BTS-47K	
R17	1.8Meg		4673	BTS-1.8Meg		R31	27K		4651	BTS-27K	Note 1
R18	56K		4652	BTS-56K		R32	1.2Meg		4656	BTS-1.2Meg	Note 1
R19	1200Ω		4658	BTS-1200		R33	120K		4670	BTS-120K	Note 1

Note 1: Not used in some versions.

TRANSFORMER (POWER)

ITEM No.	RATING				REPLACEMENT DATA					
	PRI.	SEC. 1	SEC. 2	SEC. 3	Electro-Voice PART No.	Holladson PART No.	Merit PART No.	Stancor PART No.	Thordarson PART No.	Triad PART No.
T1	117VAC ⊕ 22A	455VCT ⊕ .055A	6.3VAC ⊕ .3A	6.3VAC ⊕ 1A	16021					

FUSES

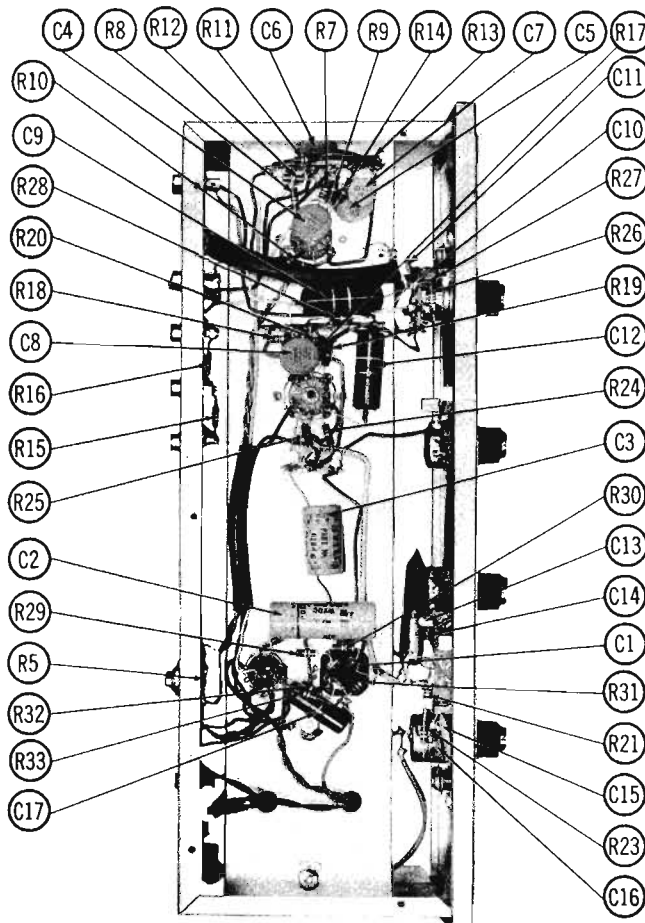
ITEM No.	TYPE	RATING	REPLACEMENT DATA							
			Electro-Voice PART No.		LITTELFUSE PART No.		BUSS PART No.			
			FUSE	HOLDER	FUSE	HOLDER	FUSE	HOLDER		
M1	3AG	1/2A 250V	(Note 1)		312, 500 (3AG-1A-250V)	356001	AGC 1/2	4405		

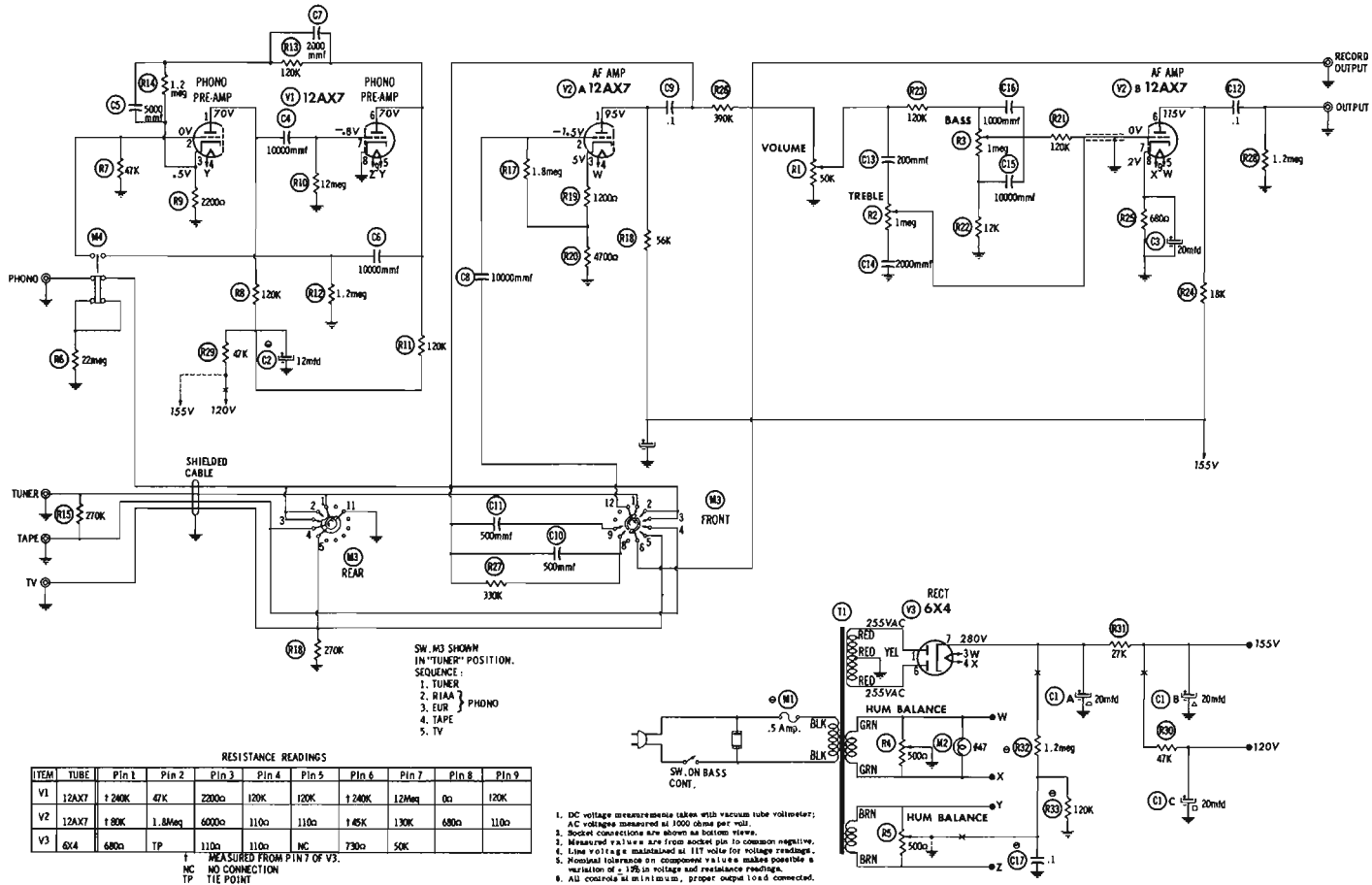
Note 1: Some versions may use 3AG, 1A, 250V, S/B (Part #Z-20086) in this application.

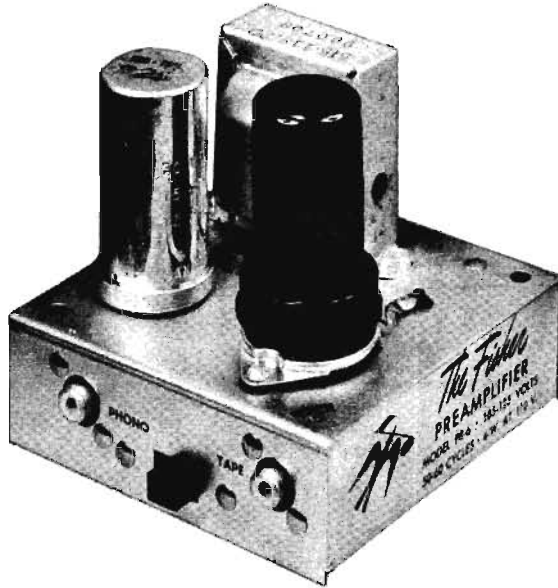
MISCELLANEOUS

ITEM No.	PART NAME	Electro-Voice PART No.	NOTES
M2	Pilot Light		#47 Function (Rotary, Water Type) Ceramic-Magnetic Changeover
M3	Switch		
M4	Switch		

CHASSIS—BOTTOM VIEW

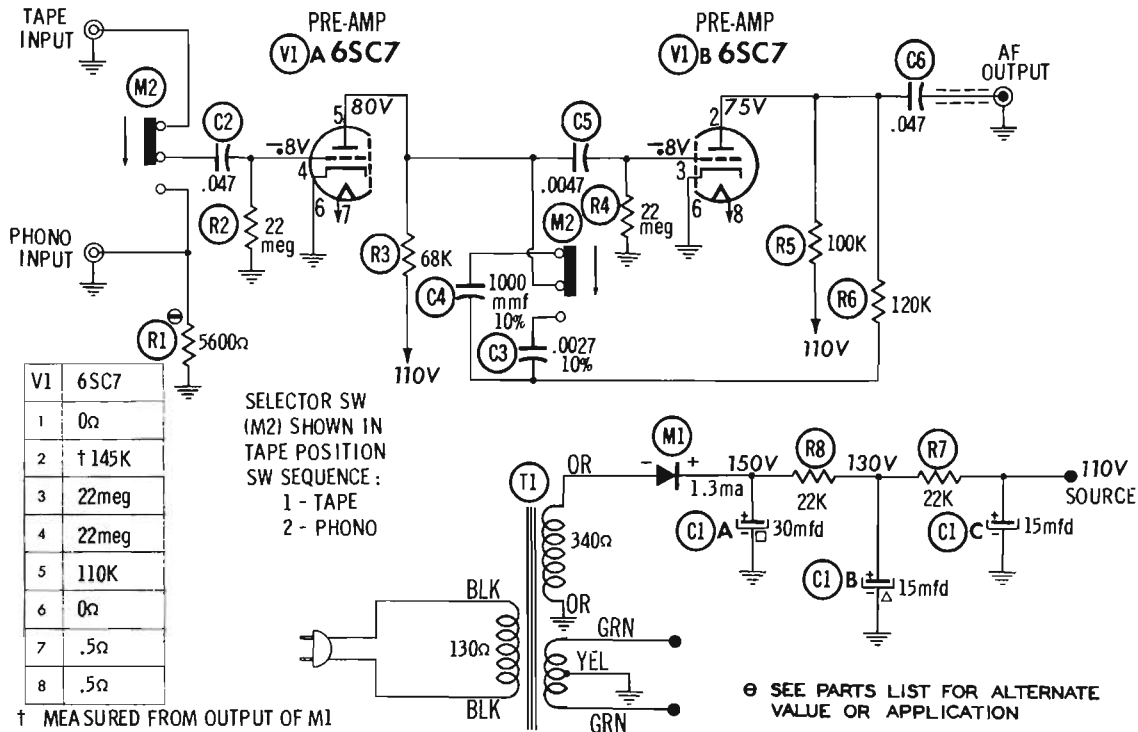






TRADE NAME	Fisher Model PR-6		
MANUFACTURER	Fisher Radio Corp., 21-21 44th Drive, Long Island City 1, N. Y.		
TYPE SET	AC Operated Preamplifier		
TUBES (One)	Type 6SC7 Preamplifier		
POWER SUPPLY	105-125 Volts AC-50/60 Cycle	RATING	.04 Amp. @117 Volts AC (4 Watts)

FISHER
MODEL PR-6



A PHOTOFACT STANDARD NOTATION SCHEMATIC

Howard W. Sams & Co., Inc. 1958

HOWARD W. SAMs & CO., INC. • Indianapolis 5, Indiana

The listing of any available replacement part herein does not constitute in any case a recommendation, warranty or guaranty by Howard W. Sams & Co., Inc., as to the quality and suitability of such replacement part. The numbers of these parts have been compiled from information furnished to Howard W. Sams & Co., Inc., by the manufacturers of H394

the particular type of replacement part listed. Reproduction or use, without express permission, of editorial or pictorial content, in any manner, is prohibited. No patent liability is assumed with respect to the use of the information contained herein. © 1958 Howard W. Sams & Co., Inc., Indianapolis 5, Indiana. Printed in U.S. of America

PARTS LIST AND DESCRIPTIONS

TUBES (GENERAL ELECTRIC, SYLVANIA)

ITEM No.	USE	TYPE	NOTES	ITEM No.	USE	TYPE	NOTES
V1	Preamplifier	6SC7					

ELECTROLYTIC CAPACITORS

ITEM No.	RATING		REPLACEMENT DATA						
	CAP.	VOLT.	FISHER PART No.	AEROVOX PART No.	CORNELL-DUBILIER PART No.	MALLORY PART No.	PYRAMID PART No.	SANGAMO PART No.	SPRAGUE PART No.
C1A	30	150	CS15-122	AFH3-17-50	C0070	FP311.4	TMT-7	T-035	TVL-3437
C1B	15	150							
C1C	15	150							

FIXED CAPACITORS

Capacity values given in the rating column are in mfd. for Paper Capacitors, and in mmd. for Mica and Ceramic Capacitors.

ITEM No.	RATING		REPLACEMENT DATA						NOTES	
	CAP.	VOLT.	FISHER PART No.	AEROVOX PART No.	CENTRALAB PART No.	CORNELL-DUBILIER PART No.	ERIE PART No.	MALLORY PART No.		SPRAGUE PART No.
C2	.047	200	C66P4T3M2	P288N-047	DF-503	CUB2S47		GEM-4147	2TM-S47	
C3	.0027	200	C66P272K2							10%
C4	1000		CC26GPI02K5							10%
C5	.0047	200	C88P472F2	P288N-0047	D6-472	IRS D1	ED-1000	MCB255	PS-21	
C6	.047	200	C66P4T3M2	P288N-047	DF-503	CUB2S47	GP-4700	GEM-5247	2TM-D47	

RESISTORS

All wattages 1/2 watt, or less, unless otherwise listed.

ITEM No.	RATING		FISHER PART No.	NOTES	ITEM No.	RATING		FISHER PART No.	NOTES
	OHMS	WATT				OHMS	WATT		
R1	5600Ω		RC20BF562K	Note 1	R5	100K		RC20BF104K	
R2	22meg		RC20BF226K		R6	120K		RC20BF124K	
R3	88K		RC20BF883K		R7	22K		RC20BF223K	
R4	22meg		RC20BF226K		R8	22K		RC20BF223K	

Note 1 Chassis with pickering cartridge use 3900Ω in this application

TRANSFORMER (POWER)

ITEM No.	RATING			REPLACEMENT DATA						
	PR1	SEC. 1	SEC. 2	FISHER PART No.	Heldorson PART No.	Merit PART No.	Rom PART No.	Stancor PART No.	Thordarson PART No.	Triod PART No.
T1	117V ② .04A	115V ② .0013A	6.3VCT ② .300A	T-515-118						

SELENIUM RECTIFIER

ITEM No.	RATING		REPLACEMENT DATA				NOTES
	CURRENT (Measured)	FISHER PART No.	FEDERAL PART No.	INTERNATIONAL PART No.	SARKES TARZIAN PART No.		
M1	.0013A	SR3180	1159 Ⓡ	CR-20 Ⓡ	10 Ⓡ	Ⓡ Pig Tail Leads	

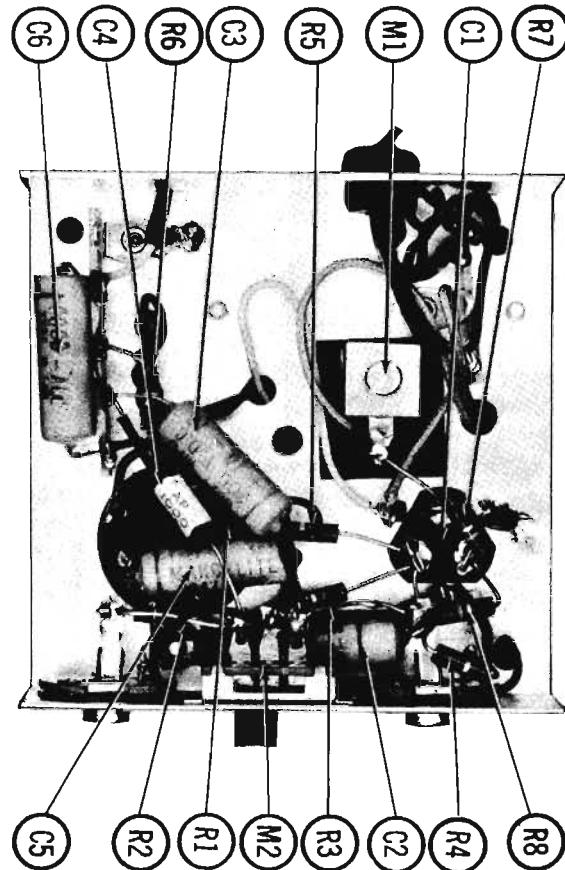
MISCELLANEOUS

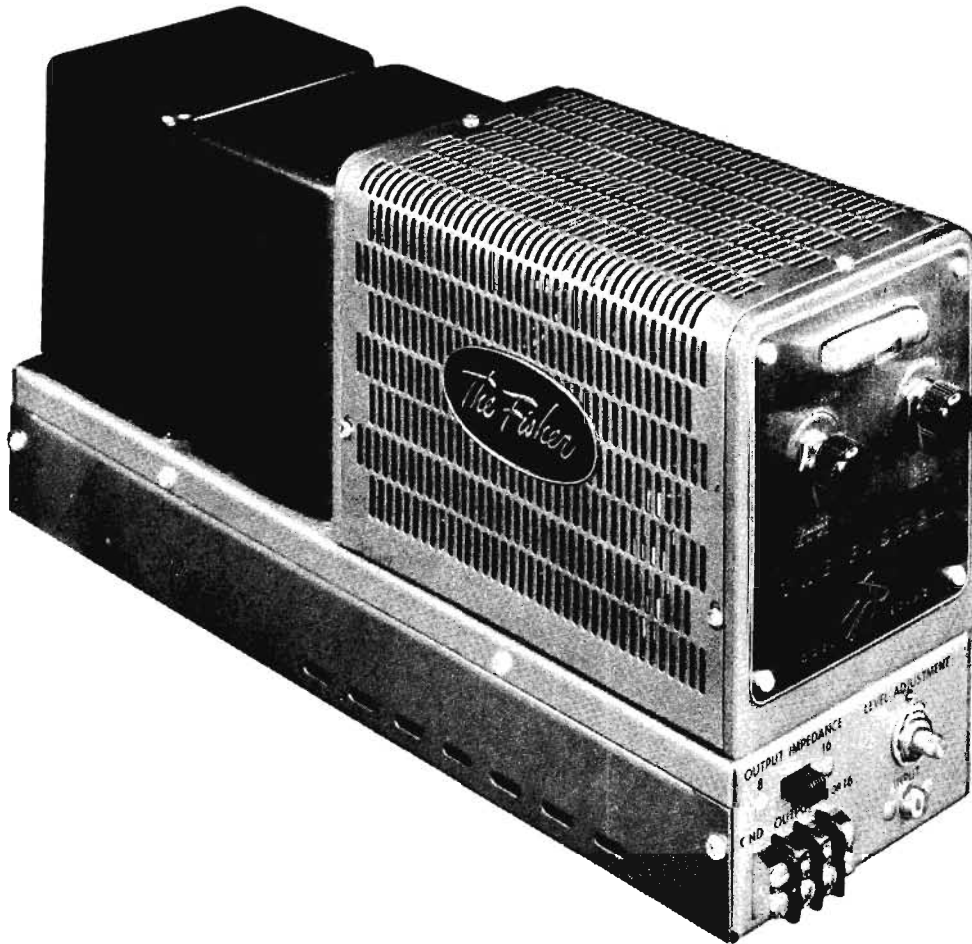
ITEM No.	PART NAME	FISHER PART No.	NOTES
M2	Switch	S-505-117	Phono-Tape (Slide Type DPDT)

WIRING DATA

General-use Unshielded Hook-up Wire	Use BELDEN No. 8630 (Solid) Available in Ten Colors 8634 (Stranded) Available in Ten Colors
Power Cord	Use BELDEN No. 1765-B (6 Ft. Length) 1725-K (7 1/2 Ft. Length)
Low-Loss Shielded Lead (Interconnecting)	Use BELDEN No. 8401
Phono Pick-up Arm Cable	Use BELDEN No. 8430 (Two Conductor - Twisted)

CHASSIS—BOTTOM VIEW





**FISHER
 MODEL 80-AZ**

TRADE NAME	Fisher Model 80-AZ	
MANUFACTURER	Fisher Radio Corp., 21-21 44th. Drive, Long Island City 1, N. Y.	
TYPE SET	AC Operated 30 Watt Audio Amplifier	
TUBES (Five)	Types 12AT7 AF Amp.-Phase Inv., 12AU7A Driver, (2) 6L37 Output, 5V4G Rectifier	
POWER SUPPLY	105-125 Volts AC-50/60 Cycles	RATING 1 Amp. @ 117 Volts AC

PHASE INVERTER BALANCE ADJUSTMENT

- | | |
|--|---|
| <ol style="list-style-type: none"> 1. Disconnect the speaker and connect a 16 ohm, 20 watt resistor to "GND" and "8 or 16". 2. Connect the audio generator to the amplifier input. 3. Switch IMPEDANCE SELECTOR to "16". 4. Turn Z-Matic control fully counter clockwise. 5. Connect the wave analyzer or distortion analyzer across the 16 ohm resistor. | <ol style="list-style-type: none"> 6. Set the audio generator to 1000 cycles and adjust the attenuator so that the amplifier produces 20 watts (17.85 volts RMS) across the 16 ohm resistor. 7. Tune the wave analyzer to the second harmonic of 1000 cycles or, if a distortion analyzer is used, tune it for minimum reading at 1000 cycles. 8. Adjust the phase inverter balance control (R4) for minimum distortion. |
|--|---|

HOWARD W. SAMS & CO., INC. • Indianapolis 5, Indiana

"The listing of any available replacement part herein does not constitute in any case a recommendation, warranty or guaranty by Howard W. Sams & Co., Inc., as to the quality and suitability of such replacement part. The numbers of these parts have been compiled from information furnished to Howard W. Sams & Co., Inc., by the manufacturers of the particular type of replacement part listed."
 "Reproduction or use, without express permission, of editorial or pictorial content, in any manner, is prohibited. No patent liability is assumed with respect to the use of the information contained herein. Copyright 1957 by Howard W. Sams & Co., Inc., Indianapolis 5, Indiana, U. S. of America. Copyright under international Copyright Union. All rights reserved under Inter-American Copyright Union (1910) by Howard W. Sams & Co., Inc." Printed in U. S. of America

6821

PARTS LIST AND DESCRIPTIONS

TUBES (GENERAL ELECTRIC, SYLVANIA)

ITEM No.	USE	TYPE	NOTES
V1	A F Amp.-Phase Inv.	12A7T	
V2	Driver	12AU7A	
V3	Output	EL-37	

ITEM No.	USE	TYPE	NOTES
V4	Output	EL-37	
V5	Rectifier	5V4G	

ELECTROLYTIC CAPACITORS

ITEM No.	RATING		REPLACEMENT DATA						
	CAP.	VOLT.	FISHER PART No.	AEROVOX PART No.	CORNELL-DUBILIER PART No.	MALLORY PART No.	PYRAMID PART No.	SANGAMO PART No.	SPRAGUE PART No.
C1A	40	500	C-522-114	AFH2-72	B0530	FP258	TMD-62	D-275	TVL-2940
B	40	500							
C2A	40	450	C-1798	AFH2-57	B0450	FP238	TMD-54	D-236	TVL-2784
B	40	450							
C3	50	50	C-508-115	PR850V50	BR505	TC39	TD-50-50	FM-0550	TVA-1308

FIXED CAPACITORS

Capacity values given in the rating column are in mfd. for Paper Capacitors, and in mmfd. for Mica and Ceramic Capacitors.

ITEM No.	RATING		REPLACEMENT DATA							NOTES
	CAP.	VOLT.	FISHER PART No.	AEROVOX PART No.	CENTRALAB PART No.	CORNELL-DUBILIER PART No.	ERIE PART No.	MALLORY PART No.	SPRAGUE PART No.	
C4	.22	300	C69P224V2	P288N-22		CUB2P22	811-221	PT4023	3TM-P22	
C5	220	300	CC-21GP221K2	NPO-S220	D8-221	22R5722			5TCC-T22	
C6	.022	400	88P223M4	P488N-Q22		CUB4822	817-02	PT4122	4TM-822	
C7	.022	400	88P223M4	P488N-Q22		CUB4822	817-02	PT4122	4TM-822	
C8	.1	400	68P104M4	P488N-1	DF-104	CUB4P1		PT401	4TM-P1	
C9	.1	400	68P104M4	P488N-1	DF-104	CUB4P1		PT401	4TM-P1	
C10	5000		C-308-122	DI-005	DD-502	K080	811-005	DC-525	5GA-D5	
C11	.047	600	C-68P473M6	BPD-05	DF-503	CUB6847		PT8147	8TM-847	
C12	82			1489-00062	D8-520	TZ28	801-520		8S-453	
C13	420									
C14	.01	800	C-2747	BPD-01	D8-103	CUB681	GP3-333-103	PT811	8TM-81	Note 1 Note 1

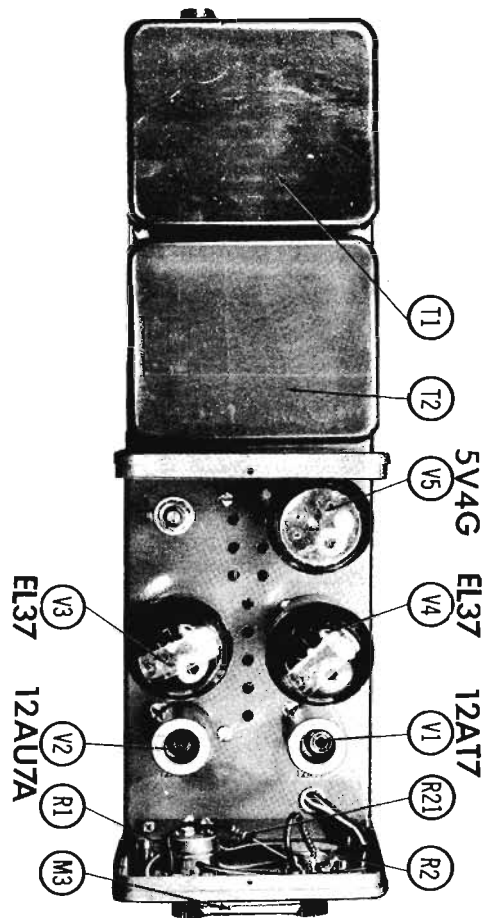
Note 1. Not used in some versions.

CONTROLS

ITEM No.	RATING		REPLACEMENT DATA					INSTALLATION NOTES
	RESISTANCE	WATTS	FISHER PART No.	CENTRALAB PART No.	CLAROSTAT PART No.	IRC PART No.	MALLORY PART No.	
R1A	1000Ω	1	R557-128	AB-5	A47-1000-S	QLI-108	U4	Z-Matic
B	Shaft		Not Req.	AK-8	RS-3/18	NQ	D8-37	Attach to R1A
C	Switch		Not Req.	KB-1	8W5-12	78-1	U8-26	Attach to R1A
R2A	100K	1	R357-121				U40	Peak Power
B	Shaft		Not Req.				D8-37	Attach to R2A
R3A	500K	1	R-2815-9	AB-50	A47-500K-S	QLI-133	SU-50	Level
B	Shaft		Not Req.	AK-1	FXS-1/4	Not Req.	Not Req.	Attach to R3A
R4A	50K	1	R-50000-5	AB-31	A47-50K-S	QLI-123	SU-35	Balance
B	Shaft		Not Req.	AK-1	FXS-1/4	RQ	Not Req.	Attach to R4A
R5	35K	1						Peak Power Indicator Note 1.

Note 1. Not used in some versions.

CHASSIS—TOP VIEW



PARTS LIST AND DESCRIPTIONS (Continued)

RESISTORS

All wattages 1/2 watt, or less, unless otherwise listed.

ITEM No.	RATING		REPLACEMENT DATA		NOTES	ITEM No.	RATING		REPLACEMENT DATA		NOTES
	OHMS	WATT	FISHER	IRC			FISHER	IRC			
			PART No.	PART No.			PART No.	PART No.			
R6	1500Ω		RC-20BF155K	B7B-1500		R20	100K	RC-20BF104K	B7B-100K		
R7	220K		RC-20BF224K	B7B-220K		R21	6800Ω	RC-20BF682K	B7B-6800		
R8	10K		RC-20BF103K	B7B-10K		R22A	350Ω				
R9	100K		RC-20BF104K	B7B-100K		B	10	R-557-128			
R10	68K		RC-20BF683K	B7B-68K		C	1Ω				
R11	470K		RC-20BF474K	B7B-470K		D	100Ω				
R12	470K		RC-20BF474K	B7B-470K		R23	820K		RC-20BF824K	B7B-820K	Note 1
R13	150K		RC-20BF154K	B7B-150K		R24	2.2Meg	B7B-2.2Meg			
R14	150K		RC-20BF154K	B7B-150K		R25	18K	RC-20BF183K	B7B-18K		
R15	4700Ω		RC-20BF472K	B7B-4700		R26	2200Ω	RC-20BF222K	B7B-2200		
R16	470K		RC-20BF474K	B7B-470K		R27	330Ω	RC-20BF331K	B7B-330		
R17	470K		RC-20BF474K	B7B-470K		R28	2200Ω	RC-20BF222K	B7B-2200		
R18	68Ω		B7B-68			R29	10K	RC-20BF103K	B7B-10K		
R19	68Ω		B7B-68		Note 1	R30	10K	RC-20BF103K	B7B-10K		

Note 1. Not used in some versions.

TRANSFORMER (POWER)

ITEM No.	RATING				REPLACEMENT DATA					
	PRI.	SEC. 1	SEC. 2	SEC. 3	FISHER PART No.	Haldorson PART No.	Merit PART No.	Stancor PART No.	Thordarson PART No.	Triod PART No.
	T1	117VAC @1A	800VCT @.10ADC	8.3VCT @5.2A		T-557-123				

TRANSFORMER (AUDIO OUTPUT)

ITEM No.	IMPEDANCE		REPLACEMENT DATA						NOTES
	PRI. 1	SEC.	FISHER PART No.	Haldorson PART No.	Merit PART No.	Stancor PART No.	Thordarson PART No.	Triod PART No.	
	T2	4500Ω CT	16Ω tap @ 280Ω CT	T-557-123					

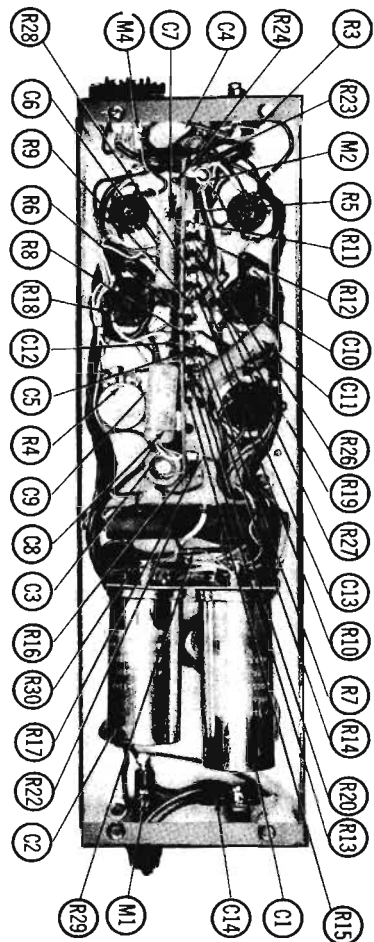
FUSES

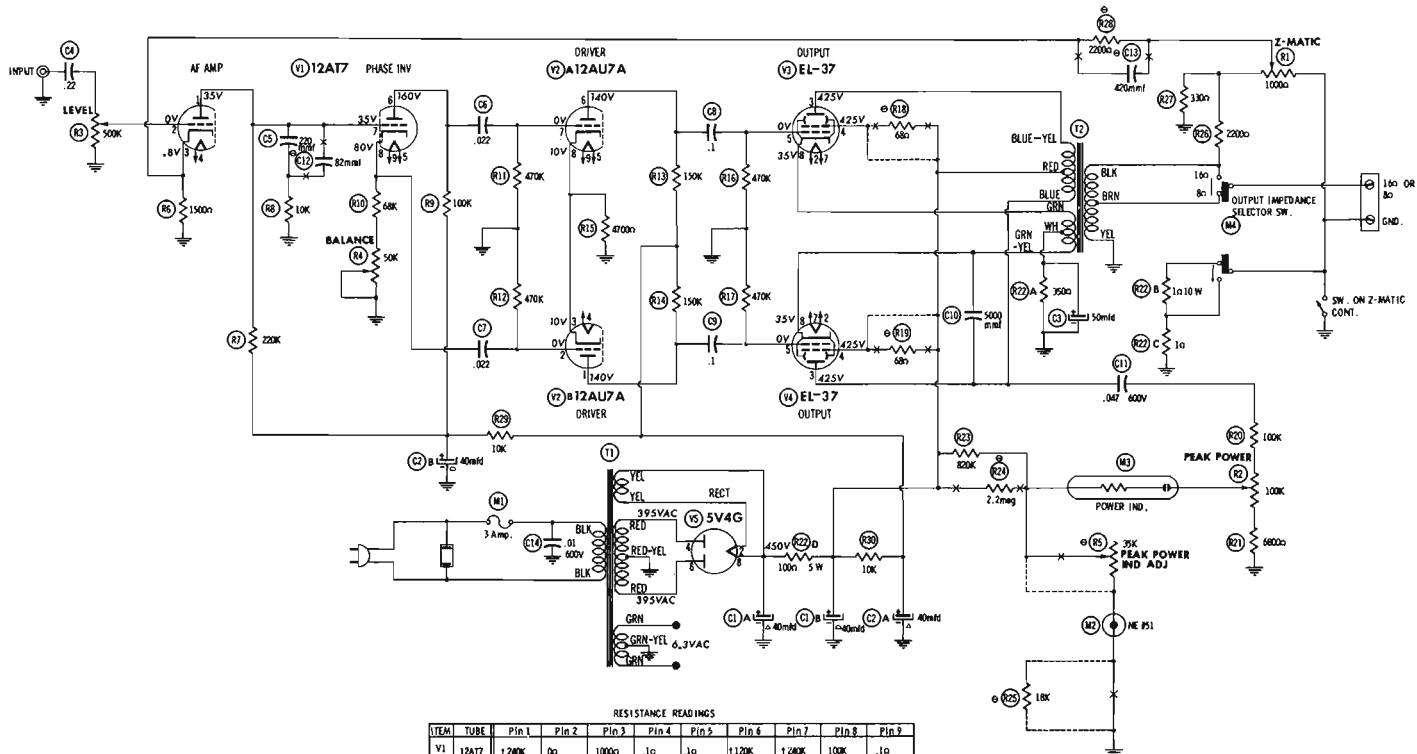
ITEM No.	TYPE	RATING	REPLACEMENT DATA					
			FISHER PART No.		LITTELFUSE PART No.		BUSS PART No.	
			FUSE	HOLDER	FUSE	HOLDER	FUSE	HOLDER
M1	3AG	3A 250V			31200S. (3AG 3A)	34200L	AGC 3	HKP

MISCELLANEOUS

ITEM No.	PART NAME	FISHER PART No.	NOTES
M2	Neon Bulb	V-NE-01	#NE81 - Voltage Regulator
M3	Neon Bulb	1-557-120	Power Indicator
M4	Switch	8-505-117	Output Impedance Selector (DPDT-Slide Type)

CHASSIS—BOTTOM VIEW





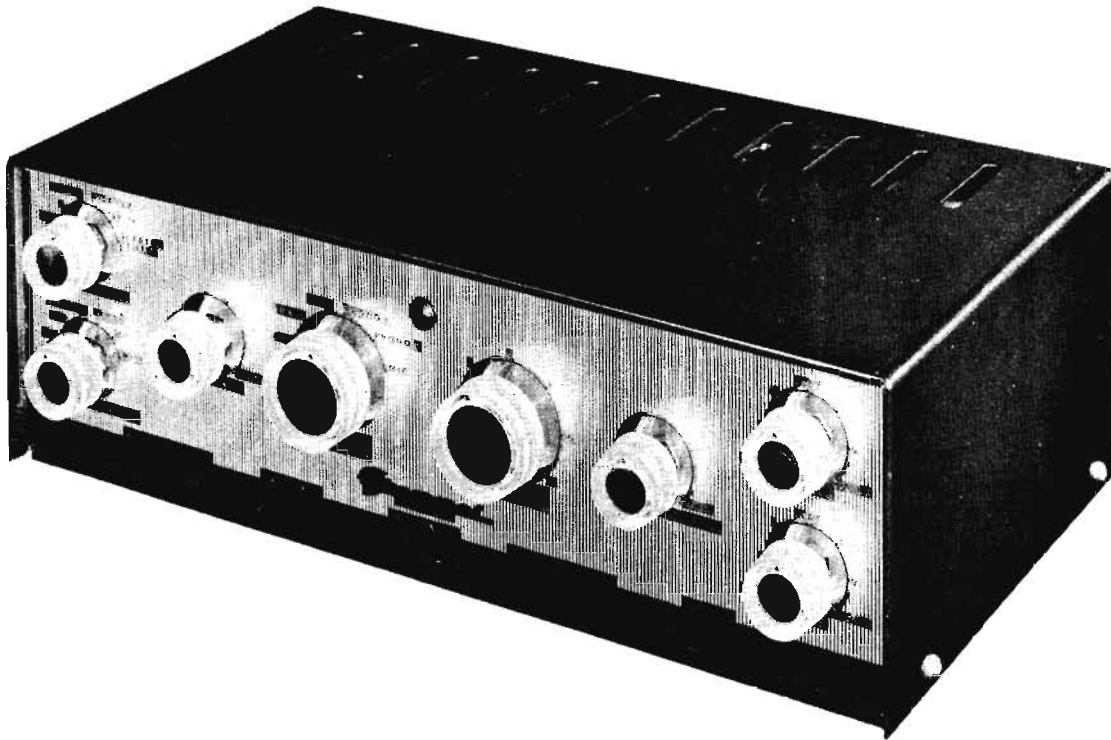
- DC voltage measurements taken with vacuum tube voltmeter; AC voltages measured at 1000 ohms per volt.
- Socket connections are shown as bottom views.
- Measured values are from stock pin 10 common negative.
- Line voltage maintained at 117 volts for voltage readings.
- Minimal tolerance on component values is double possible variation of $\pm 15\%$ in voltage and resistance readings.
- All controls at minimum, proper output load connected.

RESISTANCE READINGS

ITEM	TUBE	Pin 1	Pin 2	Pin 3	Pin 4	Pin 5	Pin 6	Pin 7	Pin 8	Pin 9
V1	12A17	1.240K	0Ω	1000Ω	.1Ω	.1Ω	1.120K	1.240K	100K	.1Ω
V2	12AU7A	1.160K	470K	4700Ω	.1Ω	.1Ω	1.160K	470K	4700Ω	.1Ω
V3	EL-37	NC	.1Ω	230Ω	170Ω	470K	TP	.1Ω	370Ω	
V4	EL-37	NC	.1Ω	220Ω	170Ω	470K	TP	.1Ω	370Ω	
V5	5V4G	NC	33K	NC	95Ω	NC	90Ω	NC	33K	

† MEASURED FROM PIN 8 OF V5.
 NC NO CONNECTION
 TP TIE POINT

⊗ SEE PARTS LIST FOR ALTERNATE
 VALUE OR APPLICATION



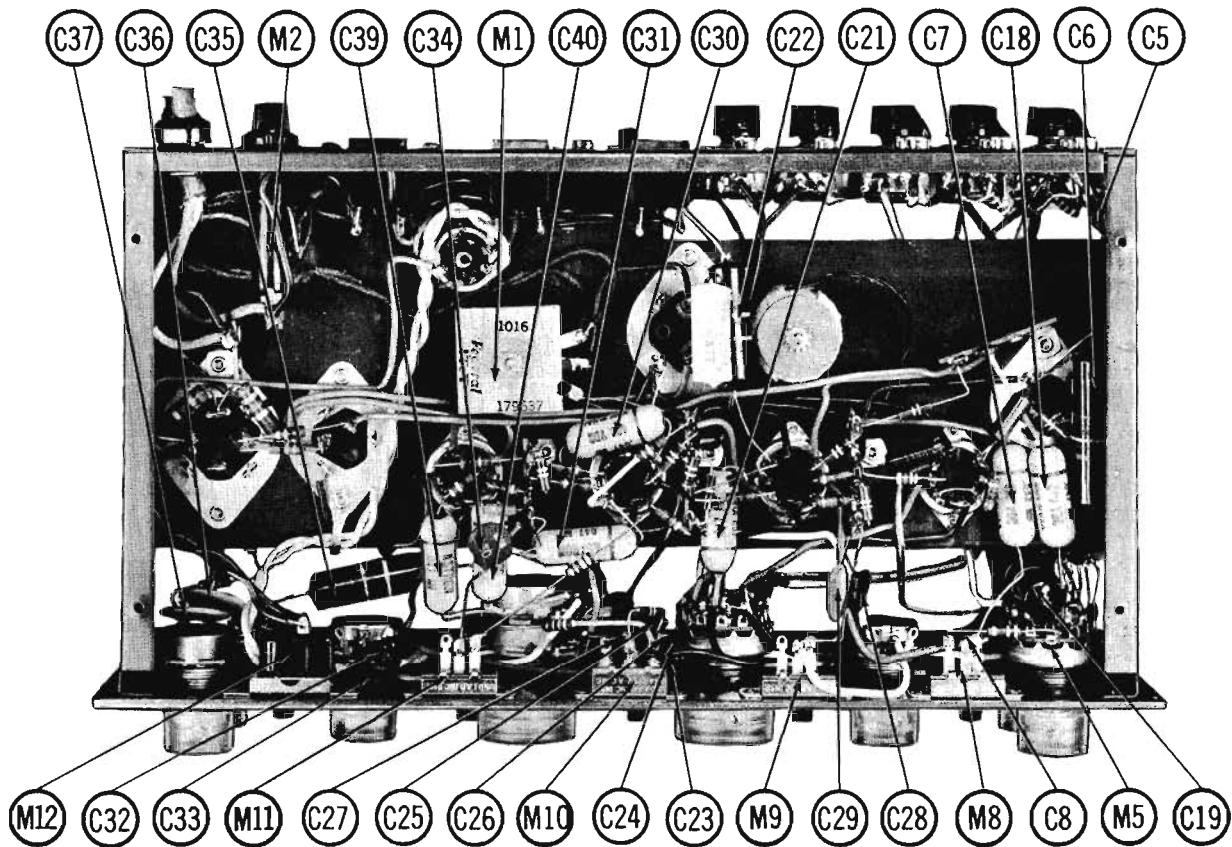
**GROMMES
 MODEL 212**

TRADE NAME	Grommes Model 212		
MANUFACTURER	Precision Electronics, Inc., 9101 King Ave., Franklin Park, Ill.		
TYPE SET	AC Operated 8 Channel Preamplifier		
TUBES (Five)	Types 12AX7 Phono Preamplifier, 12AX7 AF Amp -Cath. Follower, 12AX7 AF Amplifier, 12AX7 AF Amp. -Cath. Follower, 6X4 Rectifier		
POWER SUPPLY	110-120 Volts AC-60 Cycles	RATING	.25 Amp @ 117 Volts AC (22 Watts)

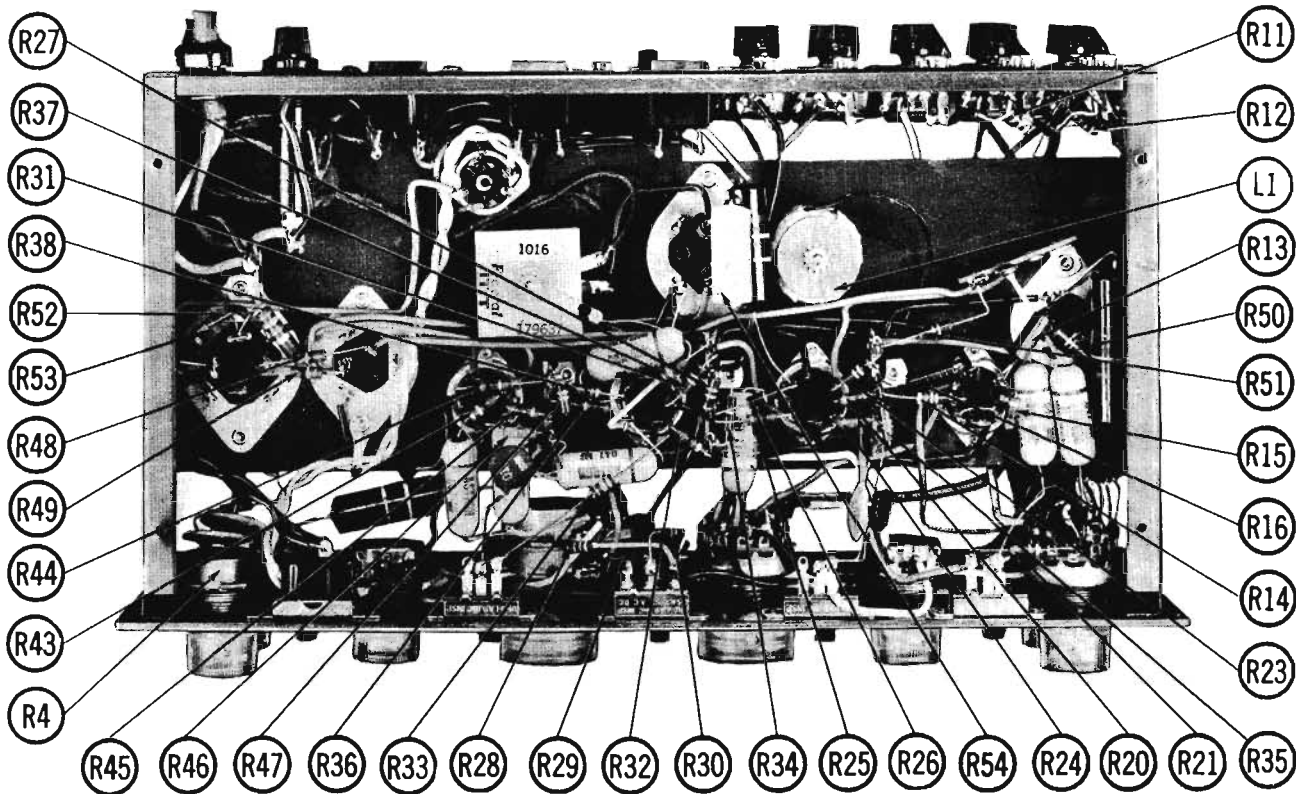
HOWARD W. SAMS & CO., INC. • Indianapolis 5, Indiana

The listing of any available replacement part herein does not constitute in any case a recommendation, warranty or guaranty by Howard W. Sams & Co., Inc., as to the quality and suitability of such replacement part. The numbers of these parts have been compiled from information furnished to Howard W. Sams & Co., Inc., by the manufacturers of H142

the particular type of replacement part listed. Reproduction or use, without express permission, of editorial or pictorial content, in any manner, is prohibited. No patent liability is assumed with respect to the use of the information contained herein. © 1957 Howard W. Sams & Co., Inc., Indianapolis 5, Indiana. Printed in U.S. of America



CHASSIS BOTTOM VIEW-CAPACITOR IDENTIFICATION



CHASSIS BOTTOM VIEW-RESISTOR IDENTIFICATION

SELECTOR SW M6 SHOWN
IN AUX POSITION
SW SEQUENCE:
1. AUX
2. TUNER
3. TAPE
4. PHONO#1 (MAG)
5. PHONO# 2
6. MIC

CATHODE FOLLOWER

V2 B 12AX7

PH 2 LEVEL

MAG-PH 1 LEVEL

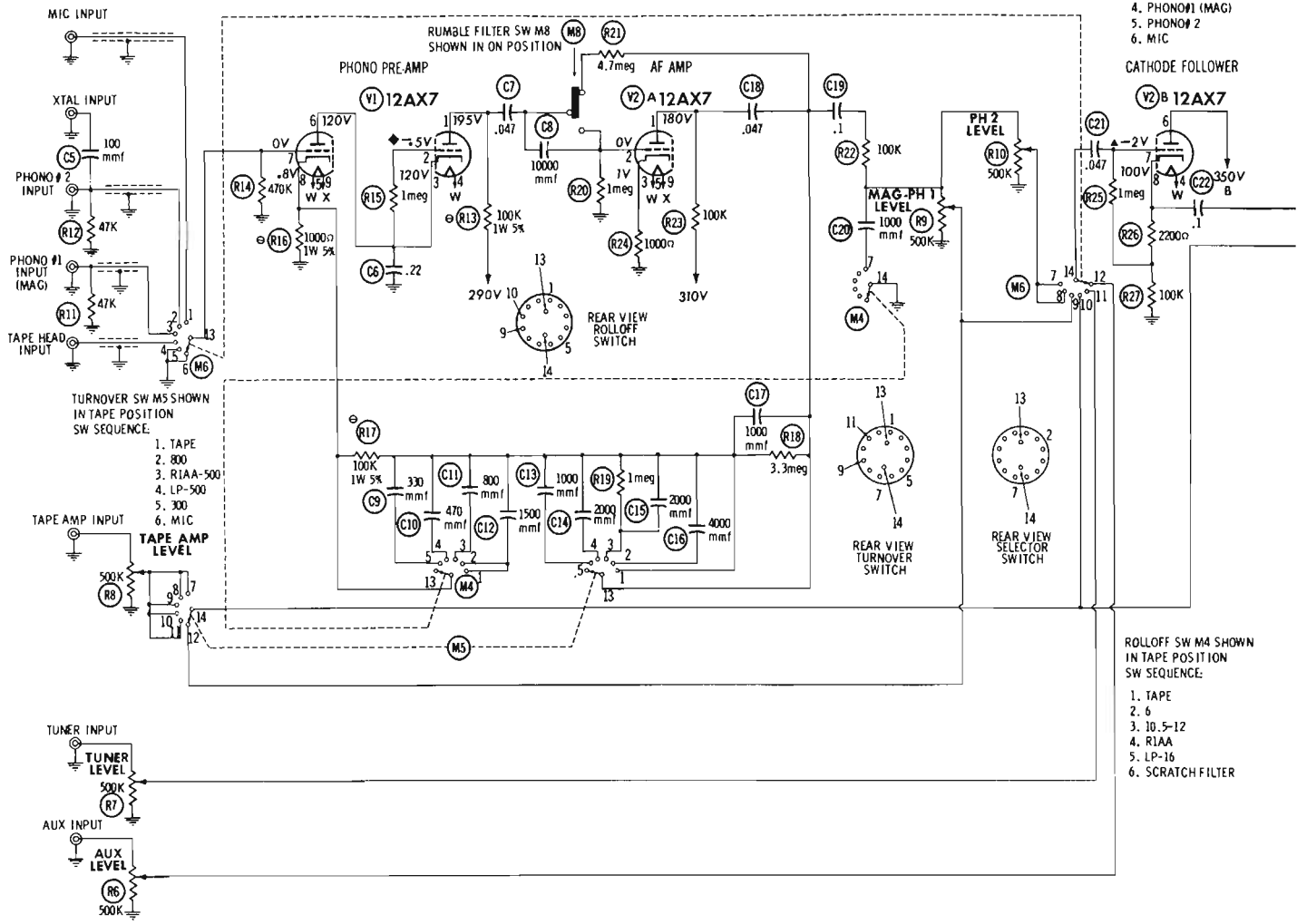
REAR VIEW ROLLOFF SWITCH

REAR VIEW TURNOVER SWITCH

REAR VIEW SELECTOR SWITCH

ROLLOFF SW M4 SHOWN
IN TAPE POSITION
SW SEQUENCE:

1. TAPE
2. 6
3. 10.5-12
4. R1AA
5. LP-16
6. SCRATCH FILTER



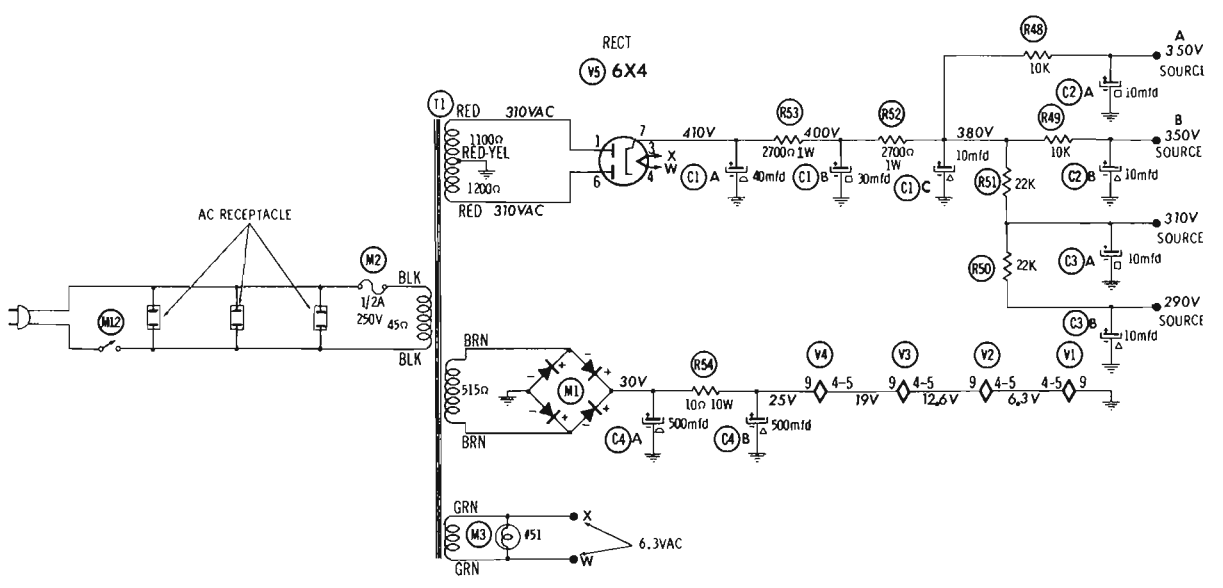
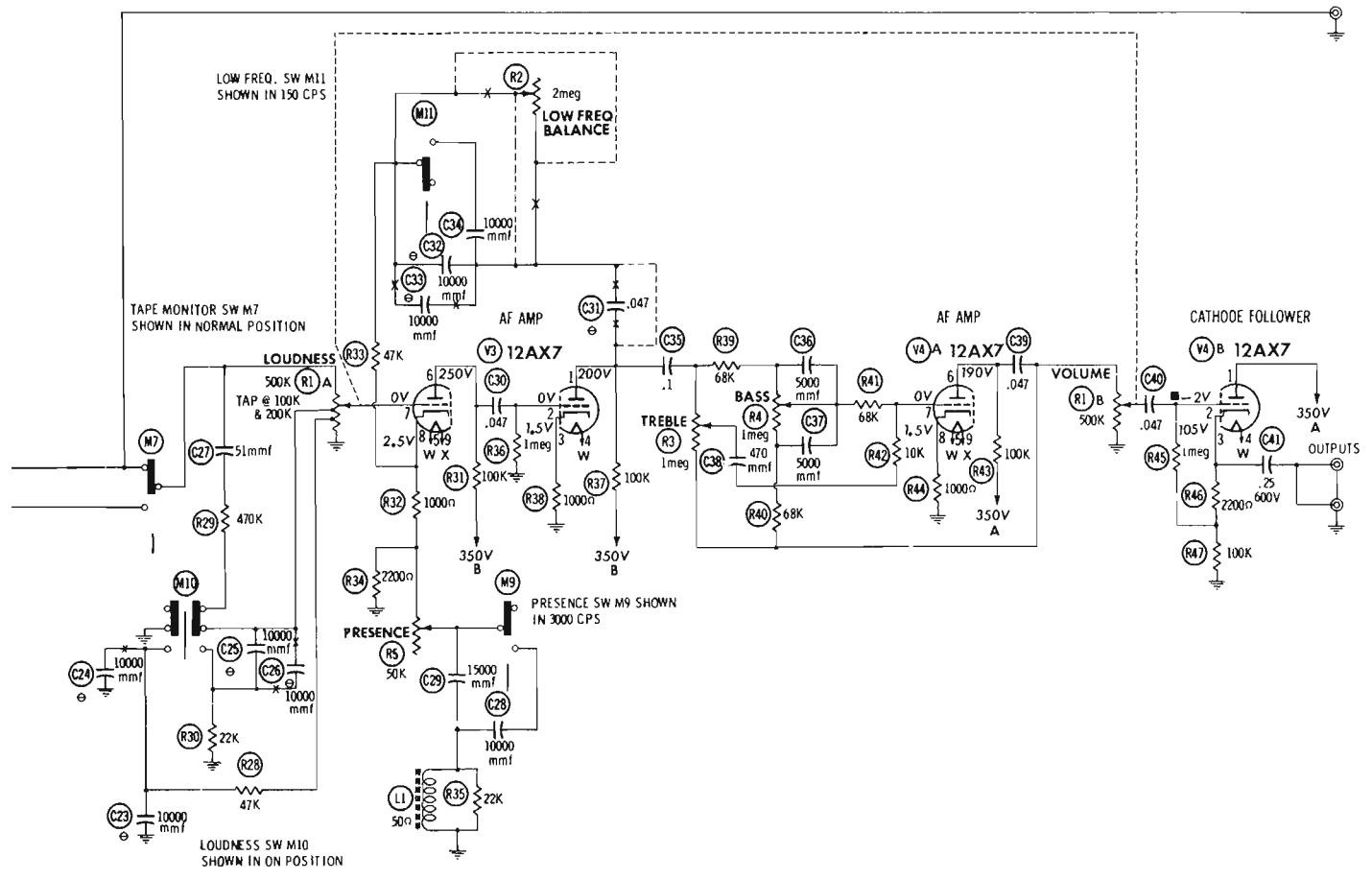
RESISTANCE READINGS

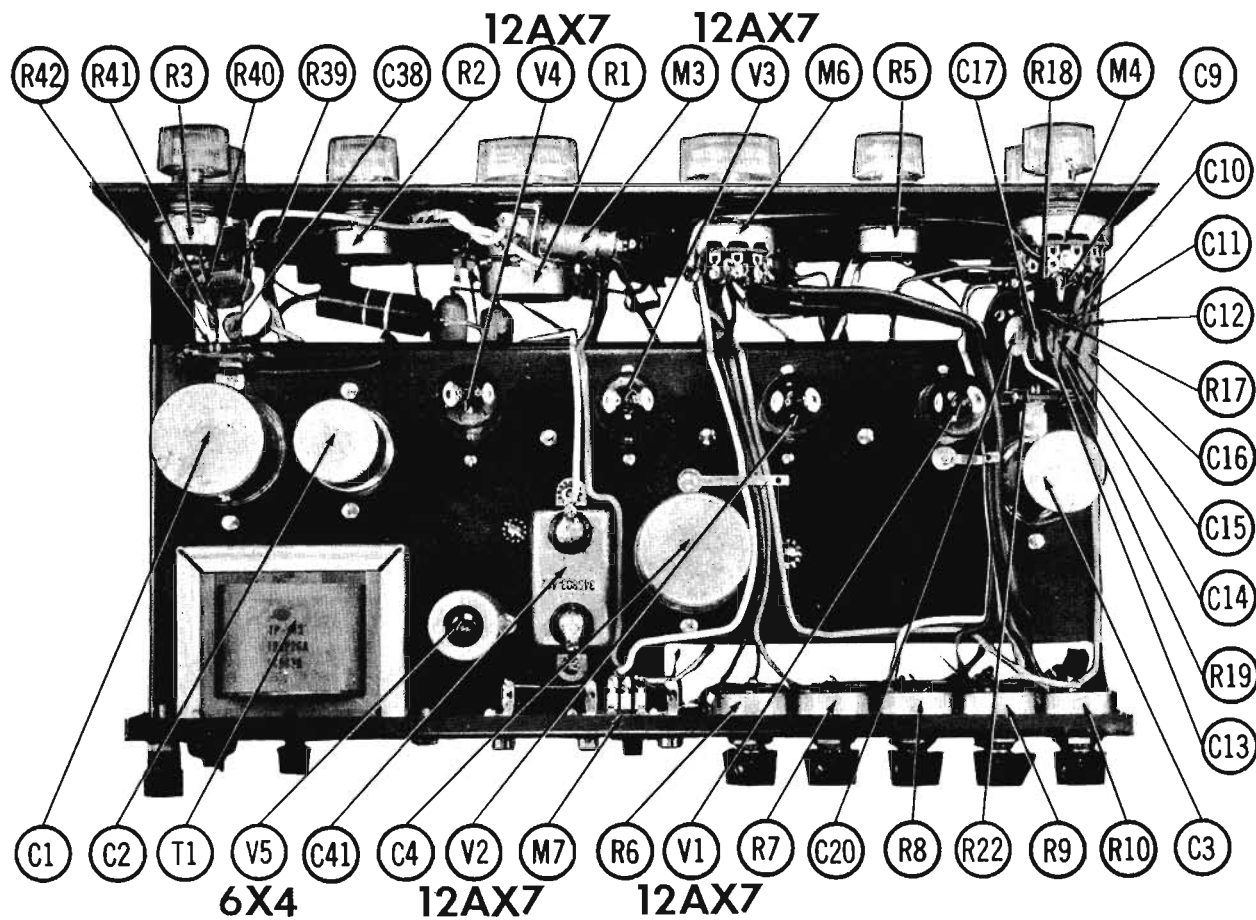
ITEM	TUBE	Pin 1	Pin 2	Pin 3	Pin 4	Pin 5	Pin 6	Pin 7	Pin 8	Pin 9
V1	12AX7	† 147K	INF	INF	3Ω	3Ω	INF	0Ω	1000Ω	0Ω
V2	12AX7	† 127K	1Meg	1000Ω	3Ω	3Ω	† 15K	1Meg	100K	6Ω
V3	12AX7	† 115K	1Meg	1000Ω	6Ω	6Ω	† 115K	0Ω	3200Ω	9Ω
V4	12AX7	† 15K	1.1Meg	100K	9Ω	9Ω	† 115K	480K	1000Ω	12Ω
V5	6X4	1100Ω	NC	INF	INF	NC	1200Ω	20K(Min)		

ALL MEASUREMENTS TAKEN IN "TAPE" POSITION
 † MEASURED FROM PIN 3 OF V1
 ‡ MEASURED FROM PIN 3 OF V4
 † MEASURED FROM PIN 7 OF V5
 ‡ MEASURED FROM PIN 8 OF V2
 NC NO CONNECTION

- DC voltage measurements taken with vacuum tube voltmeter; AC voltages measured at 1000 ohms per volt.
- Socket connections are shown as bottom views.
- Measured values are from socket pin to common negative.
- Line voltage maintained at 117 volts for voltage readings.
- Nominal tolerance of component values makes possible a variation of ±1% in voltage and resistance readings.
- All controls at minimum, proper output load connected.

⊙ SEE PARTS LIST FOR ALTERNATE VALUE OR APPLICATION





CHASSIS TOP VIEW

PARTS LIST AND DESCRIPTIONS TUBES (GENERAL ELECTRIC, SYLVANIA)

ITEM No.	USE	TYPE	NOTES
V1	Phono Preamplifier	12AX7	
V2	AF Amp - Cath. Follower	12AX7	
V3	AF Amplifier	12AX7	

ITEM No.	USE	TYPE	NOTES
V4	AF Amp - Cath. Follower	12AX7	
V5	Rectifier	6X4	

ELECTROLYTIC CAPACITORS

ITEM No.	RATING		REPLACEMENT DATA						
	CAP.	VOLT.	GROMMES PART No.	AEROVOX PART No.	CORNELL-DUBILIER PART No.	MALLORY PART No.	PYRAMID PART No.	SANGAMO PART No.	SPRAGUE PART No.
C1A	.440	400		AFM4-117-48	B0420			D-400	
B	.#30	350		BR1045				MT-4530	
C	.#10	300							
C2A	.#10	350		AFR2-47	B0370	FP231	TMD-47	D-200	TVL-2750
B	.#10	350							
C3A	.#10	350		AFR2-47	B0370	YP231	TMD-47	D-200	TVL-2750
B	.#10	350							
C4A	.#400	25		BR5002	WD085	TD-500-25	MTH-2550		TVL-2233
B	.#500	25		BR5002	TC2505	TD-500-25	MTH-2550		

FIXED CAPACITORS

Capacity values given in the rating column are in mfd. for Paper Capacitors, and in mmd. for Mica and Ceramic Capacitors.

ITEM No.	RATING		REPLACEMENT DATA							NOTES
	CAP.	VOLT.	GROMMES PART No.	AEROVOX PART No.	CENTRALAB PART No.	CORNELL-DUBILIER PART No.	ERIC PART No.	MALLORY PART No.	SPRAGUE PART No.	
C6	100			1488-0001	DE-101	5W5T1	ED-100	MC235	1FM-31	
C6	.22	200		PP8B-32		CUB2P22		GEM-2022	21M-P22	
C7	.047	400		BPD-05	DF-503	CUB4547		GEM-4147	41M-S47	
C8	10000			BPD-01	DD-103	BYA6S1	ED-01	DC5U	5HK-S1	
C9	330			BPD-00033	DD-331	LI0T33	ED-330	UC-5333	5CA-T33	
C10	470			BPD-00047	DD-471	BYA10T47	ED-470	UC-5347	5CA-T47	
C11	800			BPD-0008	DD-801	LI0T5	ED-800	UC-524	5CA-T80	
C12	1500			BPD-0015	DD-152	BYA10D15	ED-0015	DC5215	5HK-D15	
C13	10000			BPD-001	DD-102	BYA6D1	ED-1000	DC521	5HK-D1	
C14	2000			BPD-002	DD-202	BYA10D2	ED-200	DC522	5HK-D2	
C15	2000			BPD-002	DD-202	BYA10D2	ED-200	DC522	5HK-D2	
C16	4000			BPD-004	DD-402	BYA10D4	ED-400	UC-524	5HK-D4	
C17	1000			BPD-001	DD-102	BYA6D1	ED-1000	DC521	5HK-D1	
C18	.047	400		BPD-05	DF-503	CUB4547		GEM-4147	41M-S47	
C18	.047	400		P488N-1	DF-104	CUB4PI	ED-01	GEM-401	41M-P1	
C20	.047	400		BPD-001	DD-102	BYA6D1	ED-1000	DC521	5HK-D1	
C21	.047	400		BPD-05	DF-503	CUB4547		GEM-4147	41M-S47	
C22	.1	400		P488N-1	DF-104	CUB4PI	ED-01	GEM-401	41M-P1	
C23	10000			BPD-01	DD-103	BYA6S1	ED-01	DC5U	5HK-S1	
C24	10000			BPD-01	DD-103	BYA6S1	ED-01	DC5U	5HK-S1	
C25	10000			BPD-01	DD-103	BYA6S1	ED-01	DC5U	5HK-S1	
C26	10000			BPD-01	DD-103	BYA6S1	ED-01	DC5U	5HK-S1	
C27	10000			BPD-01	DD-103	BYA6S1	ED-01	DC5U	5HK-S1	
C28	10000			BPD-01	DD-103	BYA6S1	ED-01	DC5U	5HK-S1	
C29	15000			BPD-01	DD-103	BYA6S1	ED-01	DC5U	5HK-S1	
C30	.047	400		BPD-05	DF-503	CUB4547		GEM-4147	41M-S47	
C31	.047	400		BPD-05	DF-503	CUB4547		GEM-4147	41M-S47	
C32	10000			BPD-01	DD-103	BYA6S1	ED-01	DC5U	5HK-S1	
C33	10000			BPD-01	DD-103	BYA6S1	ED-01	DC5U	5HK-S1	
C34	10000			BPD-01	DD-103	BYA6S1	ED-01	DC5U	5HK-S1	
C35	.1	400		P488N-1	DF-104	CUB4PI	ED-01	GEM-401	41M-P1	
C36	5000			BPD-005	DD-502	BYA6D5	ED-005	DC525	5HK-D5	
C37	5000			BPD-005	DD-502	BYA6D5	ED-005	DC525	5HK-D5	
C38	470			BPD-00047	DD-471	BYA10T47	ED-470	UC-5347	5CA-T47	
C39	.047	400		BPD-05	DF-503	CUB4547		GEM-4147	41M-S47	
C40	.047	400		BPD-05	DF-503	CUB4547		GEM-4147	41M-S47	
C41	.25	800								

① When C23 is 20000MMF C24 is not used.
② When C25 is 20000MMF C26 is not used.

③ When C32 is 20000MMF C33 is not used.
④ Not used in some versions.

PARTS LIST AND DESCRIPTIONS (Continued) CONTROLS

ITEM No.	RATING		REPLACEMENT DATA					INSTALLATION NOTES
	RESISTANCE	WATTS	GROMMES PART No.	CENTRALAB PART No.	CLAROSTAT PART No.	IRC PART No.	MALLORY PART No.	
HLA	600K	1/2	LC2X500K			Q18-133XX	Loudness, Tap @ 100K & 200K	
R2A	500K	1/2	LFBC2M	B-76	A47-2Meg-Z	Q13-139	Volume	
B	500K	1/2		Not Req.	RS-2	Not Req.	Low Freq. Bal.	
R2B	1Meg	1/2	GTC-1M	B-89	A47-1Meg-S	Q11-137	Treble	
B	1Meg	1/2		Not Req.	RS-2	Not Req.		
RAA	1Meg	1/2	GTC-1M	B-89	A47-1Meg-S	Q11-137	Bass	
B	1Meg	1/2		Not Req.	RS-2	Not Req.		
RA	50K	1/2	PC50K	B-34	A47-75K-V	Q14-123	Presence	
B	50K	1/2		Not Req.	RS-2	Not Req.		
REA	500K	1/2	VC600K	B-80	A47-500K-Z	Q13-133	Input Level AUX.	
B	500K	1/2		Not Req.	RS-2	Not Req.		
RTA	500K	1/2	VC500K	B-80	A47-500K-Z	Q13-133	Input Level Tuner	
B	500K	1/2		Not Req.	RS-2	Not Req.		
RAA	500K	1/2	VC500K	B-80	A47-500K-Z	Q13-133	Input Level Tape Amp.	
B	500K	1/2		Not Req.	RS-2	Not Req.		
REA	500K	1/2	VC500K	B-80	A47-500K-Z	Q13-133	Input Level Phono #1	
B	500K	1/2		Not Req.	RS-2	Not Req.		
ROA	500K	1/2	VC500K	B-80	A47-500K-Z	Q13-133	Input Level Phono #2	
B	500K	1/2		Not Req.	RS-2	Not Req.		

RESISTORS

All wattages 1/2 watt, or less, unless otherwise listed.

ITEM No.	RATING		REPLACEMENT DATA		NOTES	ITEM No.	RATING		REPLACEMENT DATA		NOTES
	OHMS	WATT	GROMMES PART No.	IRC PART No.			OHMS	WATT	GROMMES PART No.	IRC PART No.	
R11	47K			BTS-47K		R33	47K		BTS-47K		
R12	47K			BTS-47K		R34	2000Ω		BTS-2000		
R13	100K	5%			Note 1	R35	22K		BTS-22K		
R14	470K			BTS-470K		R36	1Meg		BTS-1Meg		
R15	1Meg			BTS-1Meg		R37	100K		BTS-100K		
R17	1000Ω	5%			Note 1	R38	1000Ω		BTS-1000		
R18	1000Ω	5%			Note 1	R39	68K		BTS-68K		
R18	3.3Meg			BTS-3.3Meg		R40	68K		BTS-68K		
R19	1Meg			BTS-1Meg		R41	68K		BTS-68K		
R20	1Meg			BTS-1Meg		R42	10K		BTS-10K		
R21	4.7Meg			BTS-4.7Meg		R43	100K		BTS-100K		
R22	100K			BTS-100K		R44	1000Ω		BTS-1000		
R23	100K			BTS-100K		R45	1Meg		BTS-1Meg		
R24	1000Ω			BTS-1000		R46	2200Ω		BTS-2200		
R25	1Meg			BTS-1Meg		R47	100K		BTS-100K		
R26	2200Ω			BTS-2200		R48	10K		BTS-10K		
R27	100K			BTS-100K		R49	10K		BTS-10K		
R28	47K			BTS-47K		R50	10K		BTS-10K		
R29	470K			BTS-470K		R51	22K		BTS-22K		
R30	22K			BTS-22K		R52	2700Ω		BTA-2700		
R31	100K			BTS-100K		R53	2700Ω	1	BTA-2700		
R32	1000Ω			BTS-1000		R54	10Ω	10	PW10-10		

Note 1. Low noise deposited carbon resistor.

TRANSFORMER (POWER)

ITEM No.	RATING			REPLACEMENT DATA					
	PRI.	SEC. 1	SEC. 2	GROMMES PART No.	Holderness PART No.	Merit PART No.	Stancor PART No.	Thordarson PART No.	Triod PART No.
T1	117VAC	80VCT	8.3VAC	23VAC	TP-22				
	② .25A	② .010A	② .6A	② .300A					

PARTS LIST AND DESCRIPTIONS (Continued)

COILS

ITEM No.	USE	REPLACEMENT DATA				NOTES
		GROMMES PART No.	MEISSNER PART No.	MERIT PART No.	MILLER PART No.	
L1	Tone Choke					220 Millihenries

SELENIUM RECTIFIER

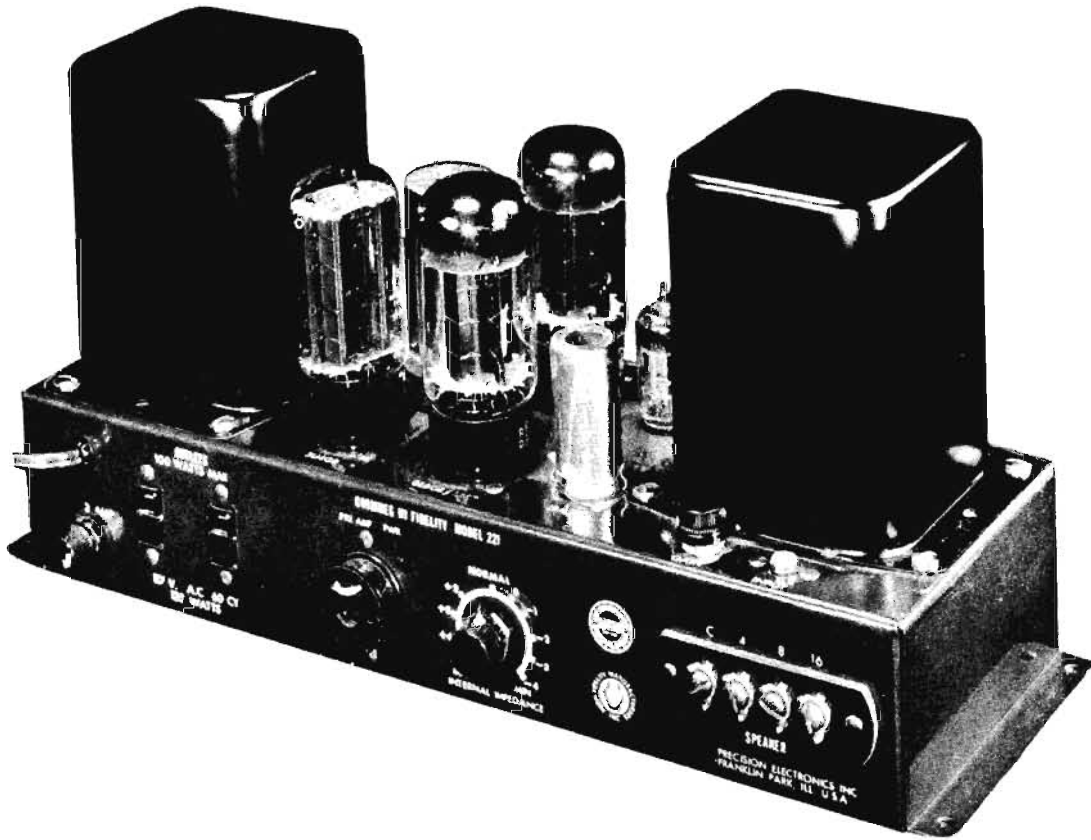
ITEM No.	RATING	REPLACEMENT DATA				NOTES
	CURRENT (Measured)	GROMMES PART No.	FEDERAL PART No.	INTERNATIONAL PART No.	SARKES TARJIAN PART No.	
M1	.5A		1017	C1B	604B	

FUSES

ITEM No.	TYPE	RATING	REPLACEMENT DATA					
			GROMMES PART No.		LITELFUSE PART No.		BUSS PART No.	
			FUSE	HOLDER	FUSE	HOLDER	FUSE	HOLDER
M2	2AG	1A 250V			312.900 (SAG 1A 250V)	342001	AGC1	BXP

MISCELLANEOUS

ITEM No.	PART NAME	GROMMES PART No.	NOTES
M3	Pilot Lamp		#51
M4	Switch		Roll-off DB (Rotary Wafer Type)
M5	Switch		Turnover CPS (Rotary Wafer Type)
M6	Switch		Input Selector (Rotary Wafer Type)
M7	Switch		Tapo Monitor (Slide Type SPDT)
M8	Switch		Tunable Filter (Slide Type SPDT)
M9	Switch		Presence (Slide Type SPDT)
M10	Switch		Loudness (Slide Type DPST)
M11	Switch		Low Freq. (Slide Type SPDT)
M12	Switch		Power On-Off (Slide Type SPDT)



**GROMMES
MODELS 221**

TRADE NAME	Grommes Model 221	
MANUFACTURER	Precision Electronics, Inc. 9101 King Ave., Franklin Park, Ill.	
TYPE SET	AC Operated Audio Amplifier	
TUBES (Five)	Types 12AU7 AF Amplifier, 12AU7 AF Amp. - Phase Inv., (2) 6L6GB (or) 5881 Output, 5U4GB Rectifier	
POWER SUPPLY	110-120 Volts AC - 60 Cycles	RATING .9 Amp. @ 117 Volts AC (9 Watts)

HOWARD W. SAMS & CO., INC. • Indianapolis 5, Indiana

The listing of any available replacement part herein does not constitute in any case a recommendation, warranty or guaranty by Howard W. Sams & Co., Inc., as to the quality and suitability of such replacement part. The numbers of these parts have been compiled from information furnished to Howard W. Sams & Co., Inc., by the manufacturers of H44

the particular type of replacement part listed. Reproduction or use, without express permission, of editorial or pictorial content, in any manner, is prohibited. No patent liability is assumed with respect to the use of the information contained herein. © 1957 Howard W. Sams & Co., Inc., Indianapolis 5, Indiana. Printed in U.S. of America

PARTS LIST AND DESCRIPTIONS

TUBES (GENERAL ELECTRIC, SYLVANIA)

ITEM No.	USE	TYPE	NOTES
V1	A F Amplifier	12AU7	
V2	A F Amp. - Phase Inv.	12AU7	
V3	Output	6L6GB	Note 1

Note 1. Some versions may use type 58R1

ITEM No.	USE	TYPE	NOTES
V4	Output	6L6GB	Note 1
V5	Rectifier	5U4GB	

ELECTROLYTIC CAPACITORS

ITEM No.	RATING		REPLACEMENT DATA						
	CAP.	VOLT.	GROMMES PART No.	AEROVOX PART No.	CORNELL-DUBILIER PART No.	MALLORY PART No.	PYRAMID PART No.	SANGAMO PART No.	SPRAGUE PART No.
C1A	40	450		AFB3-50-05	C0372	FP396.1	TMQ-12	Q-040	TVL-3842
B	20	450							
C	20	450		PRS350V10	BR1045	TC52	TD-10-250	MT-4510	TVA-1504
C2	10	250		PRS50V50	BR505	TC39	TD-50-50	MT-0550	TVA-1308
C3	50	50							

FIXED CAPACITORS

Capacity values given in the rating column are in mfd. for Paper Capacitors, and in mmfd. for Mica and Ceramic Capacitors.

ITEM No.	RATING		REPLACEMENT DATA						NOTES
	CAP.	VOLT.	GROMMES PART No.	AEROVOX PART No.	CENTRALAB PART No.	CORNELL-DUBILIER PART No.	ERIE PART No.	MALLORY PART No.	
C4	.22	200		P288N-22		CUB2P22		GEM-2022	2TM-P22
C5	250	200		BPD-00025	DD-251	L10T25	ED-250	UC-5325	5GA-T25
C6	.22	200		P288N-22		CUB2P22		GEM-2022	2TM-P22
C7	.1	400		P488N-1	DF-104	CUB4P1		GEM-401	4TM-P1
C8	.1	400		P488N-1	DF-104	CUB4P1		GEM-401	4TM-P1
C9	20	400		NP0-SI 20	DE-200	L10Q2	ED-20	GEM-401	4TM-P1

CONTROLS

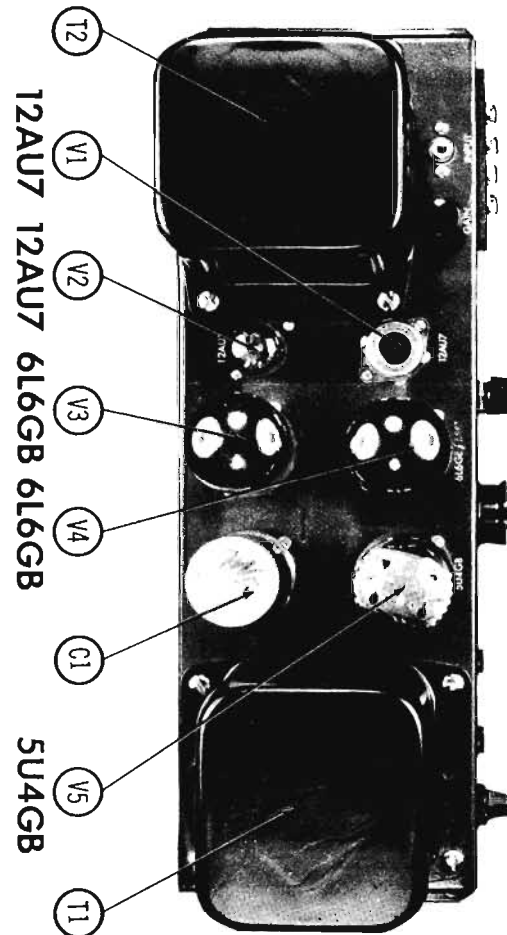
ITEM No.	RATING		REPLACEMENT DATA				INSTALLATION NOTES	
	RESISTANCE	WATTS	GROMMES PART No.	CENTRALAB PART No.	CLAROSTAT PART No.	IRC PART No.		MALLORY PART No.
R1A	500K	1/2	VCS500K	B-80	A47-500K-Z	Q13-133	U48	Gata
R2A	Shift			Not Req.	RS-2	Not Req.	Not Req.	Damping (Wire Wound)
R1B	10	4						Damping (Wire Wound)
R2B	10	4						Damping (Wire Wound)

RESISTORS

All wattages 1/2 watt, or less, unless otherwise listed.

ITEM No.	RATING		REPLACEMENT DATA		NOTES	ITEM No.	RATING		REPLACEMENT DATA		NOTES
	OHMS	WATT	GROMMES PART No.	IRC PART No.			OHMS	WATT	GROMMES PART No.	IRC PART No.	
R3	1M Ω			BTS-1M Ω		R12	56K	1		BTA-56K	
R4	22K			BTS-22K		R13	22K	2		BTB-22K	
R5	100K	1		BTA-100K		R14	1000 Ω			BTS-1000	
R6	100K			BTS-100K		R15	100K			BTS-100K	
R7	1000 Ω			BTS-1000		R16	1000 Ω			BTS-1000	
R8	22K			BTS-22K		R17	100K			BTS-100K	
R9	2200 Ω			BTS-2200		R18	400 Ω	10		1.5/4A-400	
R10	1M Ω			BTS-1M Ω		R19	22K	2		BTS-22K	
R11	47K	1		BTA-47K		R20	22K	2		BTB-22K	
						R21	10K	1		BTA-10K	

CHASSIS—TOP VIEW



PARTS LIST AND DESCRIPTIONS (Continued)

TRANSFORMER (POWER)

ITEM No.	RATING				REPLACEMENT DATA					
	PRI.	SEC. 1	SEC. 2	SEC. 3	GROMMES PART No.	Haldarson PART No.	Merit PART No.	Stancor PART No.	Thordarson PART No.	Triad PART No.
T1	117VAC ① .9A	780VCT ① .110A	5VAC ① 3A	6.3VCT ① 2.5A	TP50A				25R08	B5M-207 ①

① Drill new mounting holes.

TRANSFORMER (AUDIO OUTPUT)

ITEM No.	IMPEDANCE		REPLACEMENT DATA					NOTES	
	PRI.	SEC.	GROMMES PART No.	Haldarson PART No.	Merit PART No.	Stancor PART No.	Thordarson PART No.		Triad PART No.
T2	8800Ω CT	180 Tap 8Ω, 4Ω	T022	H4U1	A-3102		22839	B5M-188 ①	① Drill new mounting holes.

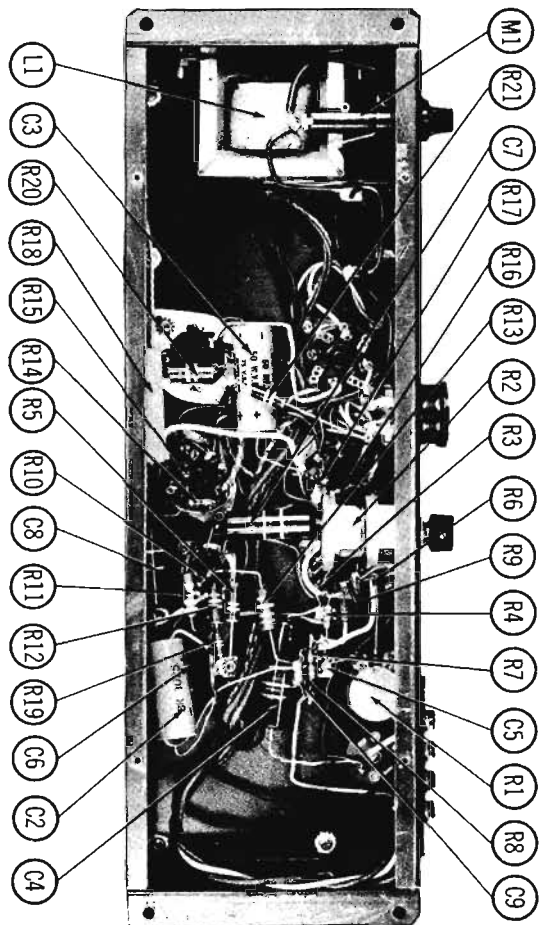
FILTER CHOKE

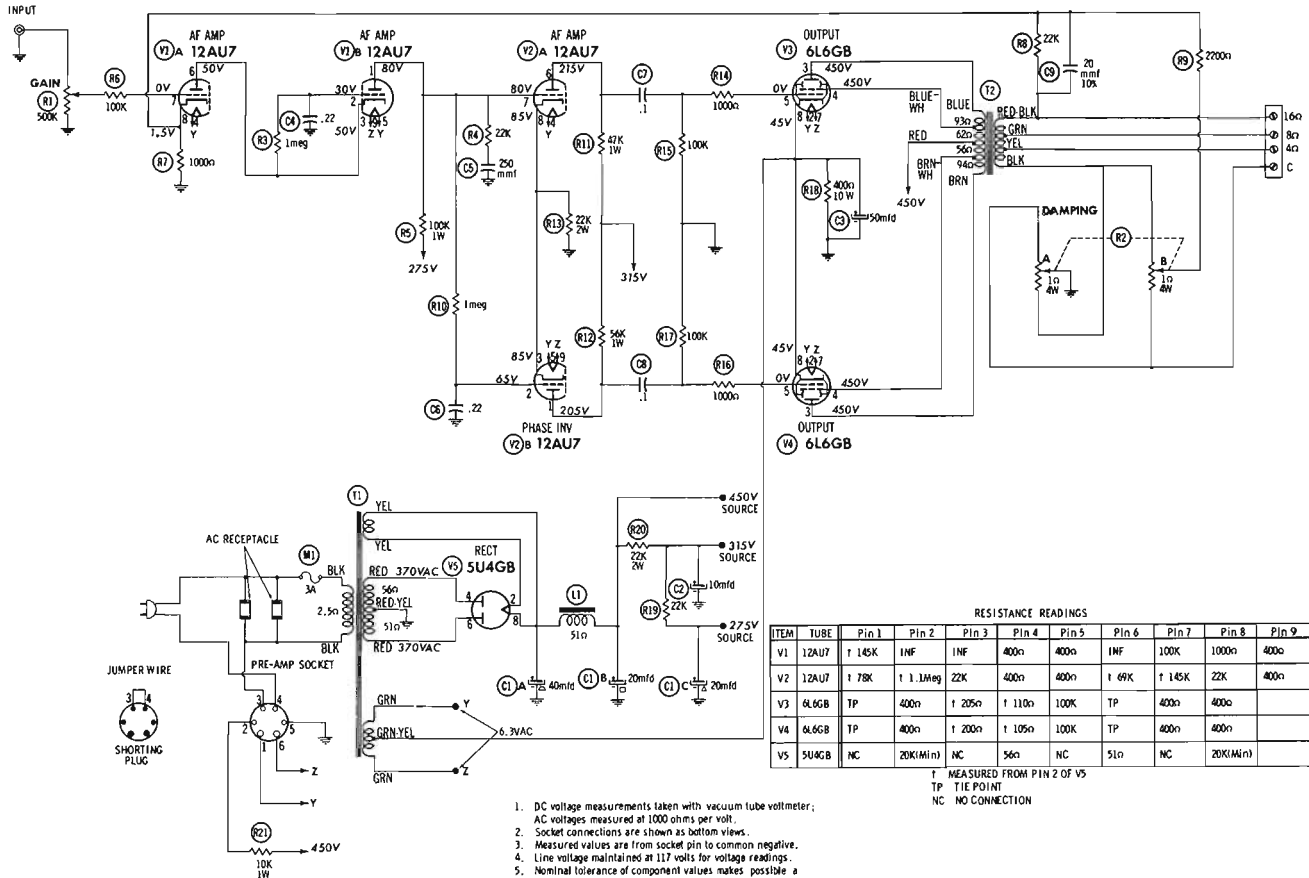
ITEM No.	RATINGS			REPLACEMENT DATA					
	TOTAL DIRECT CURRENT	D. C. RESISTANCE	INDUCTANCE (D. CURRENT 1000 μ A)	GROMMES PART No.	Haldarson PART No.	Merit PART No.	Stancor PART No.	Thordarson PART No.	Triad PART No.
L1	.110A	5Ω	2H μ	C82	C5028	C-2974	C-2304	28C43	C-23X

FUSES

ITEM No.	TYPE	RATING	REPLACEMENT DATA					
			GROMMES PART No.		LITTELFUSE PART No.		BUSS PART No.	
			FUSE	HOLDER	FUSE	HOLDER	FUSE	HOLDER
M1	3AG	3A			312003. (3AG-3A)	342001	AGC3	HCM

CHASSIS—BOTTOM VIEW





A PHOTOFAC STANDARD NOTATION SCHEMATIC
 Howard W. Sams & Co., Inc. 1957



**HAMILTON
 MODEL PMX-6**

TRADE NAME	Hamilton Model PMX-6	
MANUFACTURER	Hamilton Electronics Corp., 2726 W. Pratt Ave., Chicago 45, Ill.	
TYPE SET	AC Operated 6 Channel Preamplifier Mixer	
TUBES (Three)	Types 12AX7 Channels 1-2 Preamplifier, 12AX7 Channels 3-4 Preamplifier, 12AX7 Channels 5-6 Preamplifier	
POWER SUPPLY	110-120 Volts AC - 60 Cycles	RATING .04 Amp. @ 117 Volts AC (5 Watts)

HOWARD W. SAMS & CO., INC. • Indianapolis 5, Indiana

"The listing of any available replacement part herein does not constitute in any case a recommendation, warranty or guaranty by Howard W. Sams & Co., Inc., as to the quality and suitability of such replacement part. The numbers of these parts have been compiled from information furnished to Howard W. Sams & Co., Inc., by the manufacturers of the particular type of replacement part listed."
 "Reproduction or use, without express permission, of editorial or pictorial content, in any manner, is prohibited. No patent liability is assumed with respect to the use of the information contained herein. Copyright 1957 by Howard W. Sams & Co., Inc., Indianapolis 5, Indiana, U. S. of America. Copyright under international Copyright Union. All rights reserved under Inter-American Copyright Union (1910) by Howard W. Sams & Co., Inc." Printed in U. S. of America

ment, in any manner, is prohibited. No patent liability is assumed with respect to the use of the information contained herein. Copyright 1957 by Howard W. Sams & Co., Inc., Indianapolis 5, Indiana, U. S. of America. Copyright under international Copyright Union. All rights reserved under Inter-American Copyright Union (1910) by Howard W. Sams & Co., Inc." Printed in U. S. of America

PARTS LIST AND DESCRIPTIONS

TUBES (GENERAL ELECTRIC, SYLVANIA)

ITEM No.	USE	TYPE	NOTES	ITEM No.	USE	TYPE	NOTES
V1	Channel 1-2 Preamp.	12AX7		V3	Channel 5-6 Preamp.	12AX7	
V2	Channel 3-4 Preamp.	12AX7					

ELECTROLYTIC CAPACITORS

ITEM No.	RATING		REPLACEMENT DATA						
	CAP.	VOLT.	HAMILTON PART No.	AEROVOX PART No.	CORNELL-DUBILIER PART No.	MALLOY PART No.	PYRAMID PART No.	SANGAMO PART No.	SPRAGUE PART No.
C1A	440	150	(Note 1)	AFH3-09	CO080	FP31L 4	TMT-8	T-040	TVL-3438
B	30	150							
C	20	150							

Note 1: Some versions may use 20-20-20MFD unit in this application.

FIXED CAPACITORS

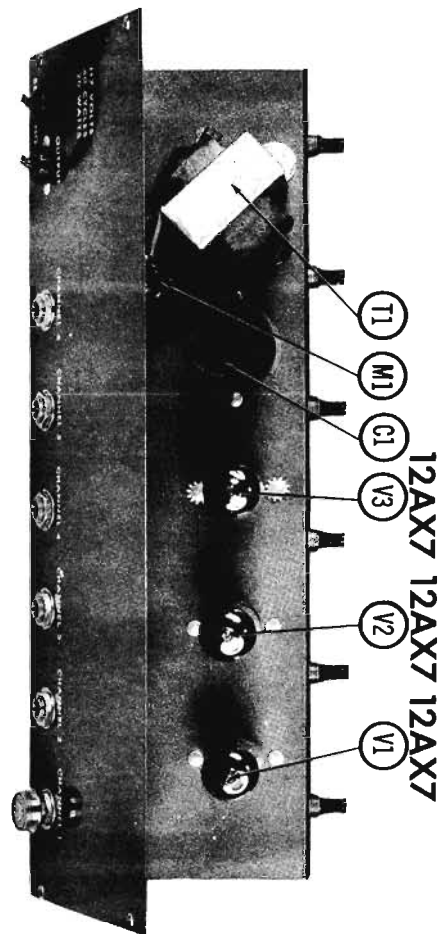
Capacity values given in the rating column are in mfd. for Paper Capacitors, and in mmfd. for Mica and Ceramic Capacitors.

ITEM No.	RATING		REPLACEMENT DATA							NOTES
	CAP.	VOLT.	HAMILTON PART No.	AEROVOX PART No.	CENTRALAB PART No.	CORNELL-DUBILIER PART No.	ERIE PART No.	MALLOY PART No.	SPRAGUE PART No.	
C2	10000			HPD-01	DD-103	BYA8S1	ED-01	DC511	5HK-81	
C3	10000			BPD-01	DD-103	BYA8S1	ED-01	DC511	5HK-81	
C4	10000			BPD-01	DD-103	BYA8S1	ED-01	DC511	5HK-81	
C5	10000			HPD-01	DD-103	BYA8S1	ED-01	DC511	5HK-81	
C6	10000			BPD-01	DD-103	BYA8S1	ED-01	DC511	5HK-81	
C7	10000			BPD-01	DD-103	BYA8S1	ED-01	DC511	5HK-81	

CONTROLS

ITEM No.	RATING		REPLACEMENT DATA					INSTALLATION NOTES
	RESISTANCE	WATTS	HAMILTON PART No.	CENTRALAB PART No.	CLAROSTAT PART No.	IBC PART No.	MALLOY PART No.	
R1A	500K	↓		B-80	A47-500K-2	Q13-133	U48	Channel 1 Volume
B	Shaft			Not Req.	K58-3	Not Req.	Not Req.	
R2A	500K	↓		B-80	A47-500K-2	Q13-133	U48	Channel 2 Volume
B	Shaft			Not Req.	K58-3	Not Req.	Not Req.	
R3A	500K	↓		B-80	A47-500K-2	Q13-133	U48	Channel 3 Volume
B	Shaft			Not Req.	K58-3	Not Req.	Not Req.	
R4A	500K	↓		B-80	A47-500K-2	Q13-133	U48	Channel 4 Volume
B	Shaft			Not Req.	K58-3	Not Req.	Not Req.	
R5A	500K	↓		B-80	A47-500K-2	Q13-133	U48	Channel 5 Volume
B	Shaft			Not Req.	K58-3	Not Req.	Not Req.	
R6A	500K	↓		B-80	A47-500K-2	Q13-133	U48	Channel 6 Volume
B	Shaft			Not Req.	K58-3	Not Req.	Not Req.	
C	Switch			KB-1	SW8-12	78-1	US-28	

CHASSIS—TOP VIEW



PARTS LIST AND DESCRIPTIONS (Continued)

RESISTORS

All wattages 1/2 watt, or less, unless otherwise listed.

ITEM No.	RATING		REPLACEMENT DATA		NOTES	ITEM No.	RATING		REPLACEMENT DATA		NOTES
	OHMS	WATT	HAMILTON PART No.	IRC PART No.			OHMS	WATT	HAMILTON PART No.	IRC PART No.	
R7	470K			BTS-470K		R18	150K			BTS-150K	
R8	100K			BTS-100K		R19	470K			BTS-470K	
R9	150K			BTS-150K		R20	100K			BTS-100K	
R10	470K			BTS-470K		R21	150K			BTS-150K	
R11	100K			BTS-100K		R22	470K			BTS-470K	
R12	150K			BTS-150K		R23	100K			BTS-100K	
R13	470K			BTS-470K		R24	150K			BTS-150K	
R14	100K			BTS-100K		R25	33K			BTS-33K	
R15	150K			BTS-150K		R26	33K			BTS-33K	
R16	470K			BTS-470K		R27	10K			BTS-10K	
R17	100K			BTS-100K							

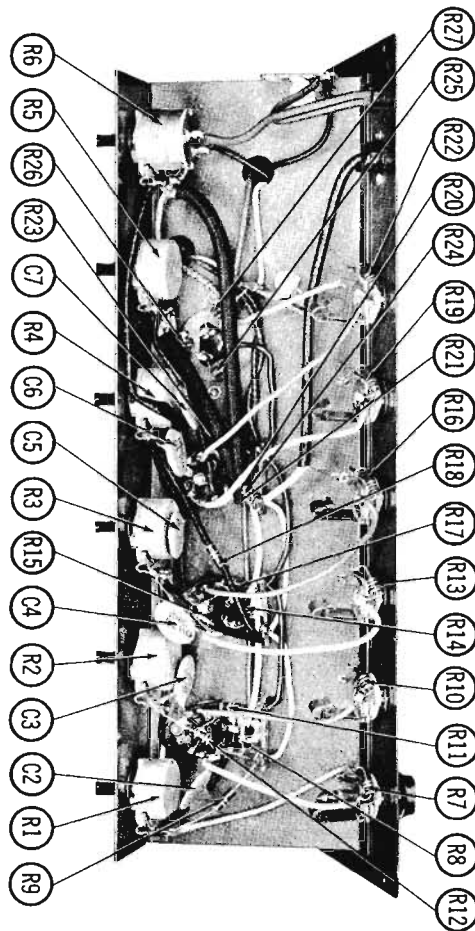
TRANSFORMER (POWER)

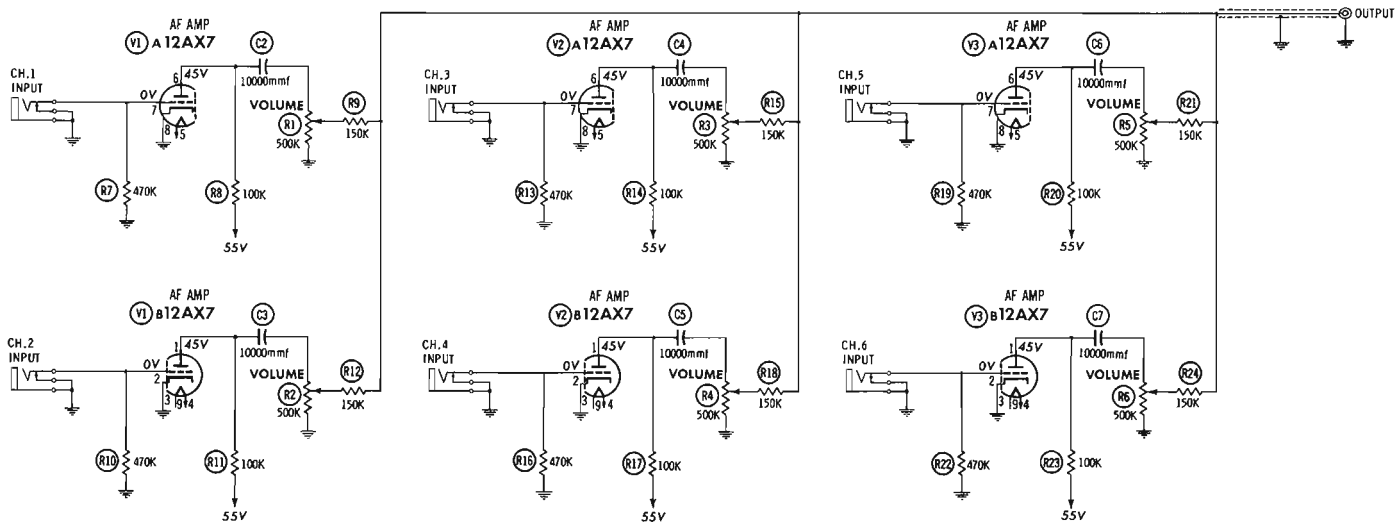
ITEM No.	RATING				REPLACEMENT DATA					
	PR1	SEC. 1	SEC. 2	SEC. 3	HAMILTON PART No.	Hollidorn PART No.	Mastl PART No.	Stencor PART No.	Thorndorn PART No.	Tried PART No.
T1	117VAC @ .04A	150VAC @ .0012A	8VCT @ .34A		33GA07		P-3048		26R32	

SELENIUM RECTIFIER

ITEM No.	RATING	REPLACEMENT DATA						NOTES
	CURRENT (Measured)	HAMILTON PART No.	FEDERAL PART No.	INTERNATIONAL PART No.	MALLORY PART No.	RADIO RECEPTOR PART No.	SARRES TARZIAN PART No.	
M1	.0012A		1386	R8050	BS75	871	50	

CHASSIS—BOTTOM VIEW

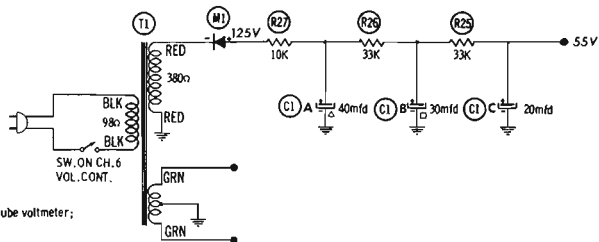




RESISTANCE READINGS

ITEM	TUBE	Pin 1	Pin 2	Pin 3	Pin 4	Pin 5	Pin 6	Pin 7	Pin 8	Pin 9
V1	12AX7	†1.175K	0Ω	0Ω	.9Ω	.9Ω	†1.175K	0Ω	0Ω	.5Ω
V2	12AX7	†1.175K	0Ω	0Ω	.9Ω	.9Ω	†1.175K	0Ω	0Ω	.5Ω
V3	12AX7	†1.175K	0Ω	0Ω	.9Ω	.9Ω	†1.175K	0Ω	0Ω	.5Ω

† MEASURED FROM OUTPUT OF M1.



- DC voltage measurements taken with vacuum tube voltmeter; AC voltages measured at 1000 ohms per volt.
- Socket connections are shown as bottom views.
- Measured values are from socket pin to common negative.
- Line voltage maintained at 117 volts for voltage readings.
- Nominal tolerance of component values makes possible a variation of ±15% in voltage and resistance readings.
- All controls at minimum, proper output load connected.



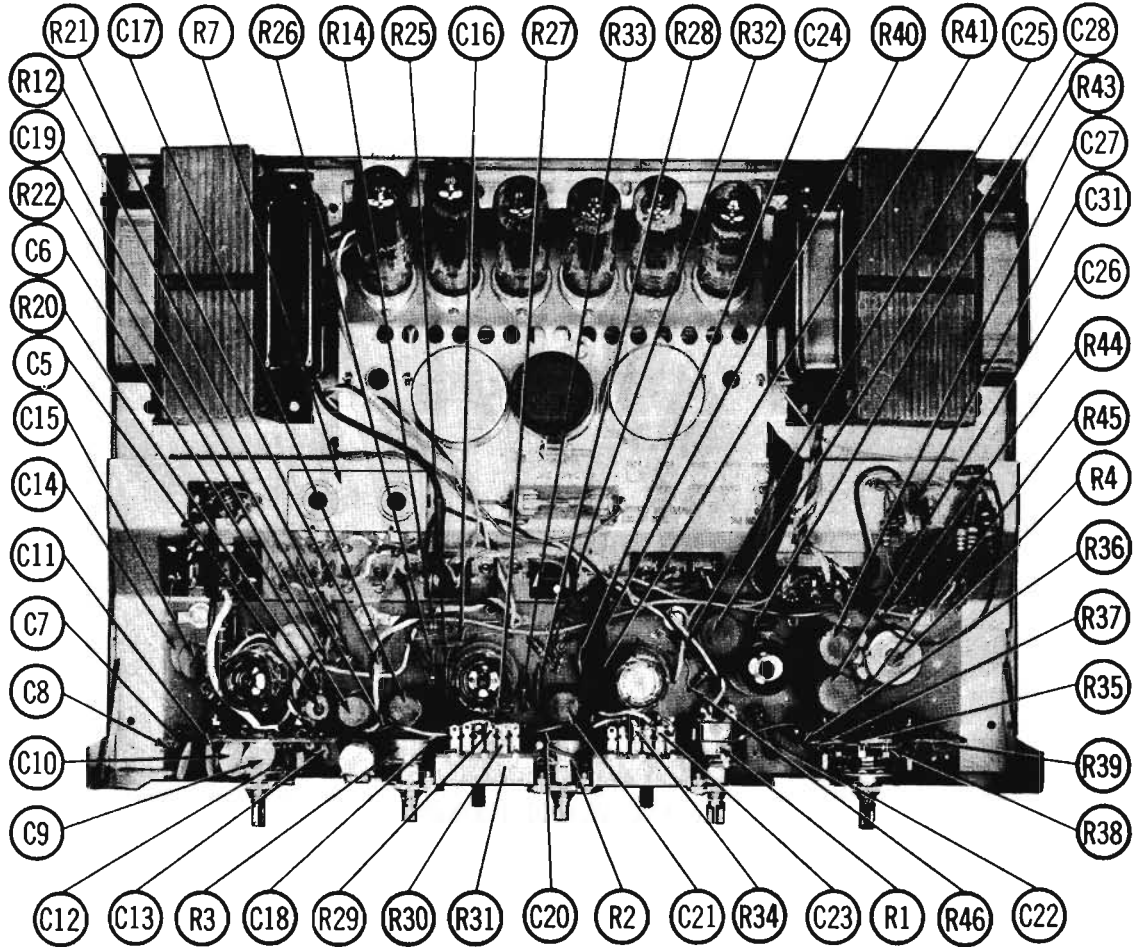
**HARMAN-KARDON
 MODEL A-1040 "Trend II"**

TRADE NAME	Harman-Kardon Model A-1040 "Trend II"	
MANUFACTURER	Harman-Kardon, Inc, 520 Main St., Westbury, L.I., N. Y.	
TYPE SET	AC Operated 6 Channel 40 Watt Audio Amplifier	
TUBES (Ten)	Types 12AX7 Phono Preamplifier, 12AX7 Cath. Follower-AF Amp., 12AV6 AF Amplifier, 12AT7 AF Amp-Phase Inv., (4) 12AB5 Output, (2) EZ81 Rectifier	
POWER SUPPLY	105-125 Volts AC-60 Cycles	RATING .83 Amp. @117 Volts AC (84 Watts)

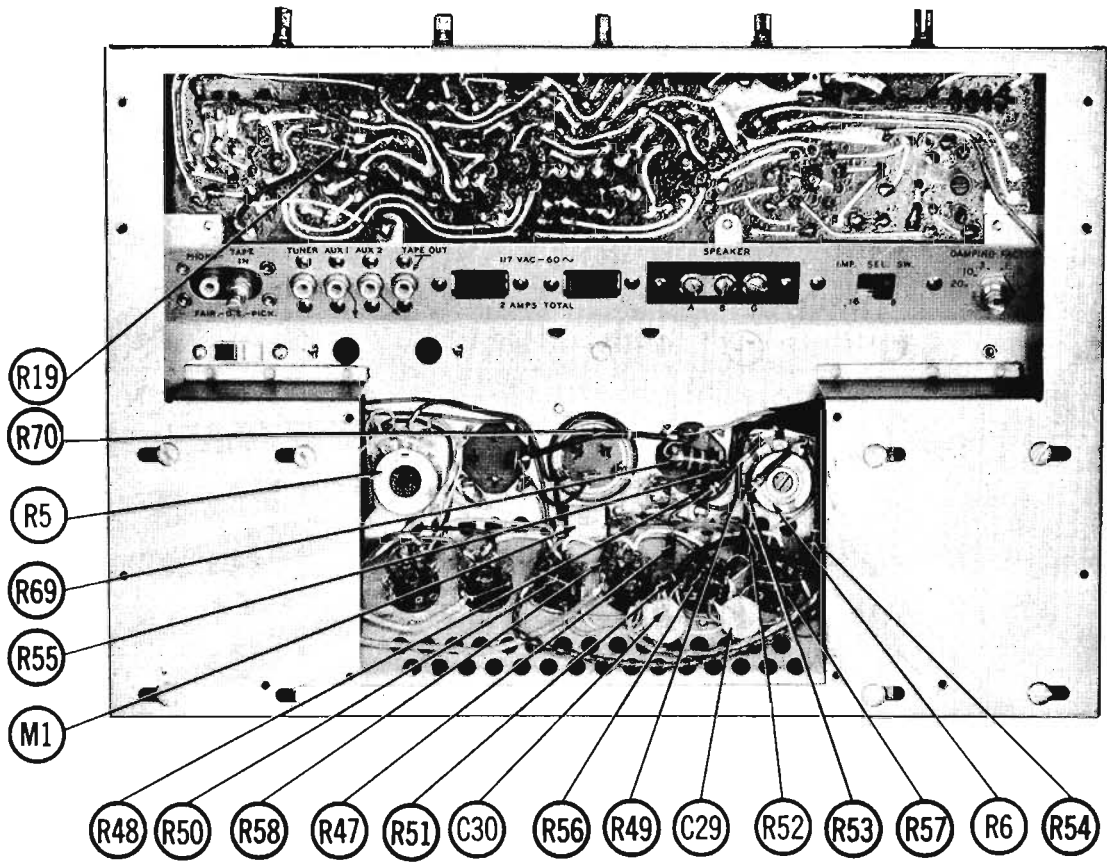
HOWARD W. SAMS & CO., INC. • Indianapolis 5, Indiana

The listing of any available replacement part herein does not constitute in any case a recommendation, warranty or guaranty by Howard W. Sams & Co., Inc., as to the quality and suitability of such replacement part. The numbers of these parts have been compiled from information furnished to Howard W. Sams & Co., Inc., by the manufacturers of H266

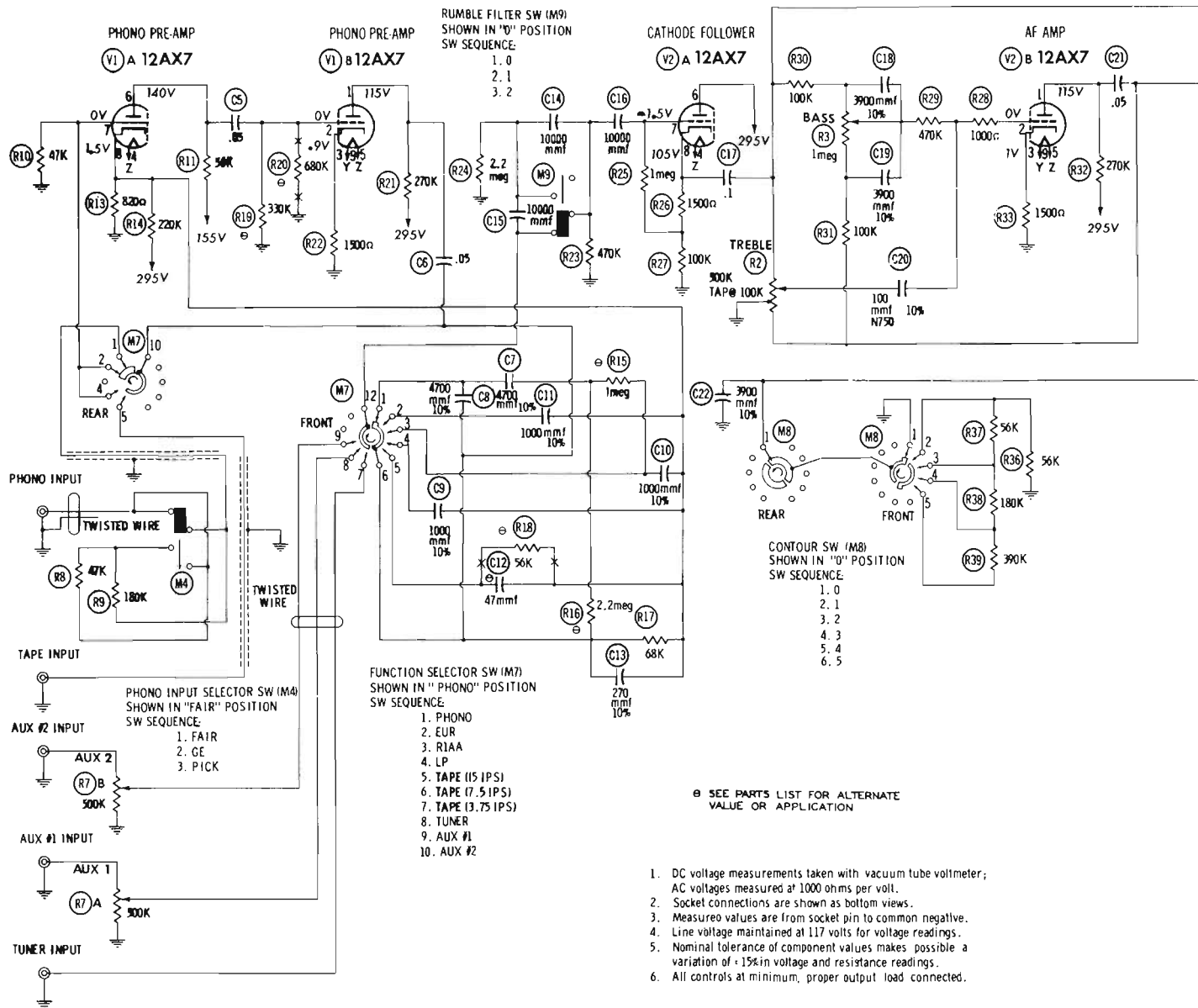
the particular type of replacement part listed. Reproduction or use, without express permission, of editorial or pictorial content, in any manner, is prohibited. No patent liability is assumed with respect to the use of the information contained herein. © 1958 Howard W. Sams & Co., Inc., Indianapolis 5, Indiana. Printed in U.S. of America



CHASSIS TOP VIEW



CHASSIS BOTTOM VIEW

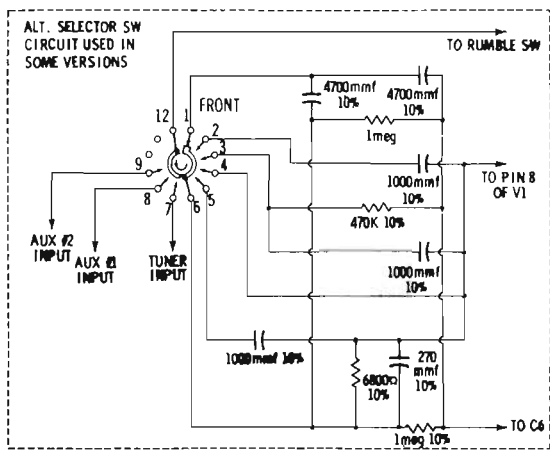


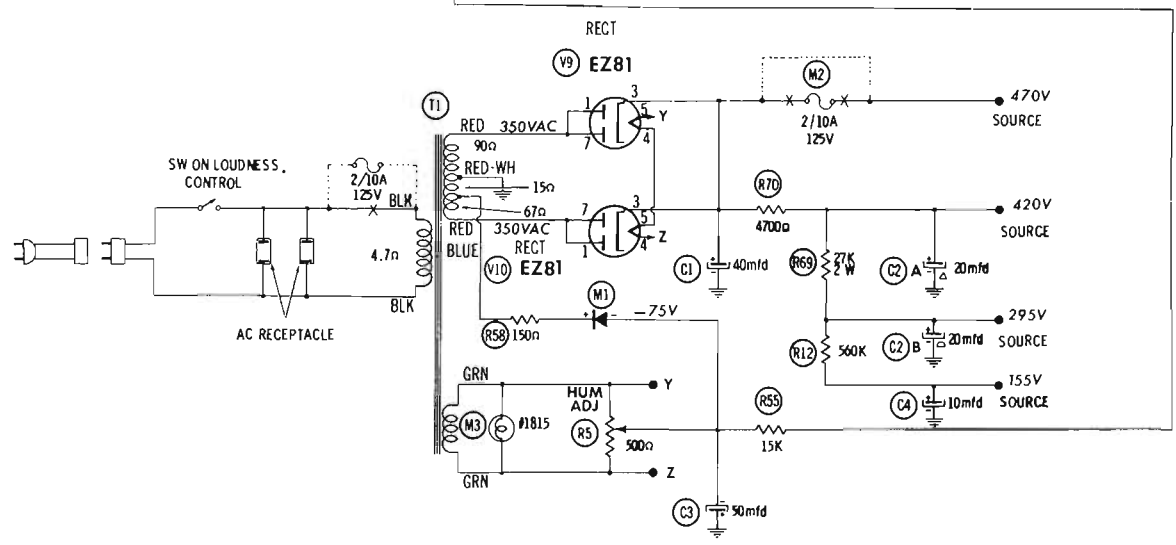
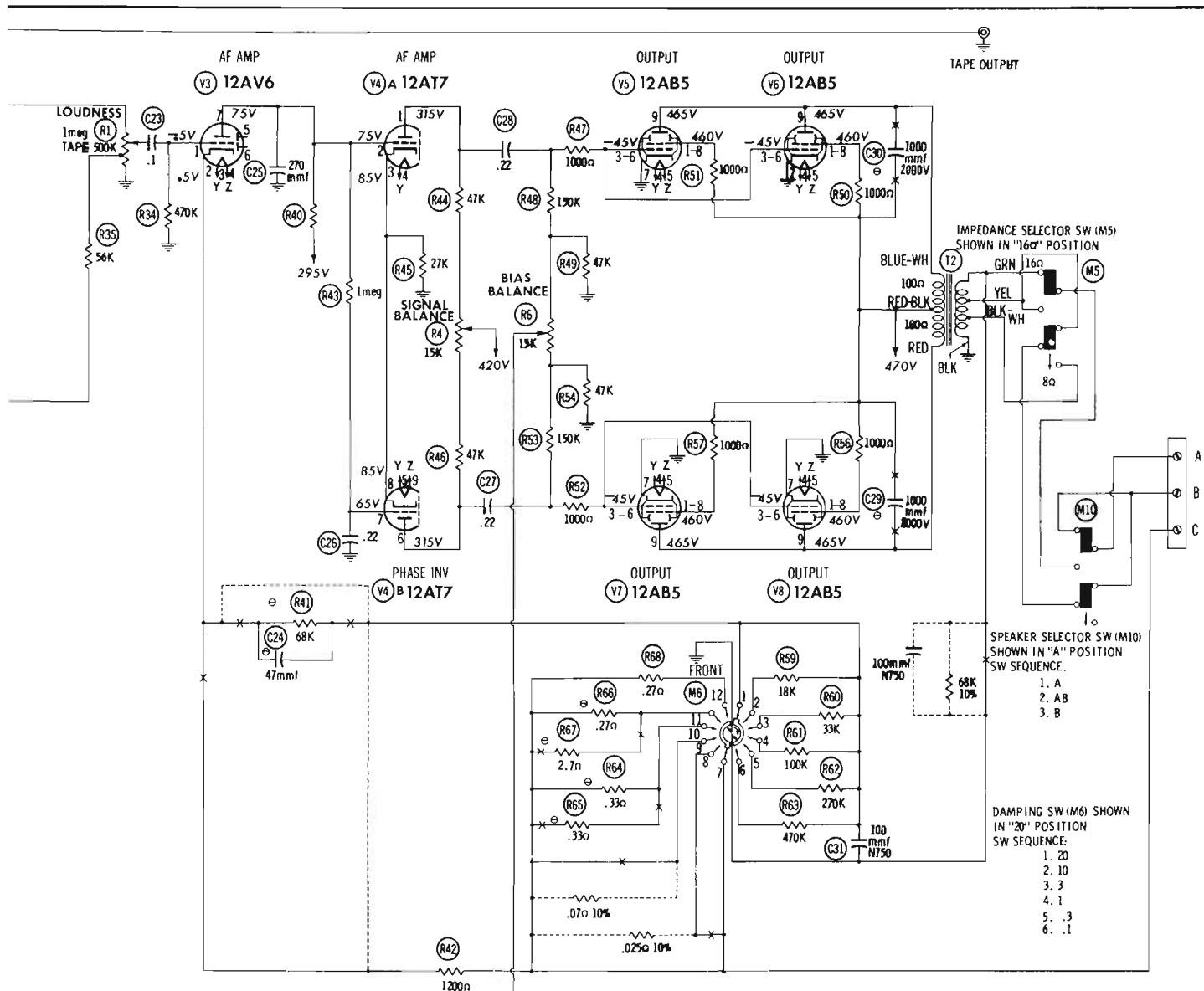
1. DC voltage measurements taken with vacuum tube voltmeter; AC voltages measured at 1000 ohms per volt.
2. Socket connections are shown as bottom views.
3. Measured values are from socket pin to common negative.
4. Line voltage maintained at 117 volts for voltage readings.
5. Nominal tolerance of component values makes a variation of ±15% in voltage and resistance readings.
6. All controls at minimum, proper output load connected.

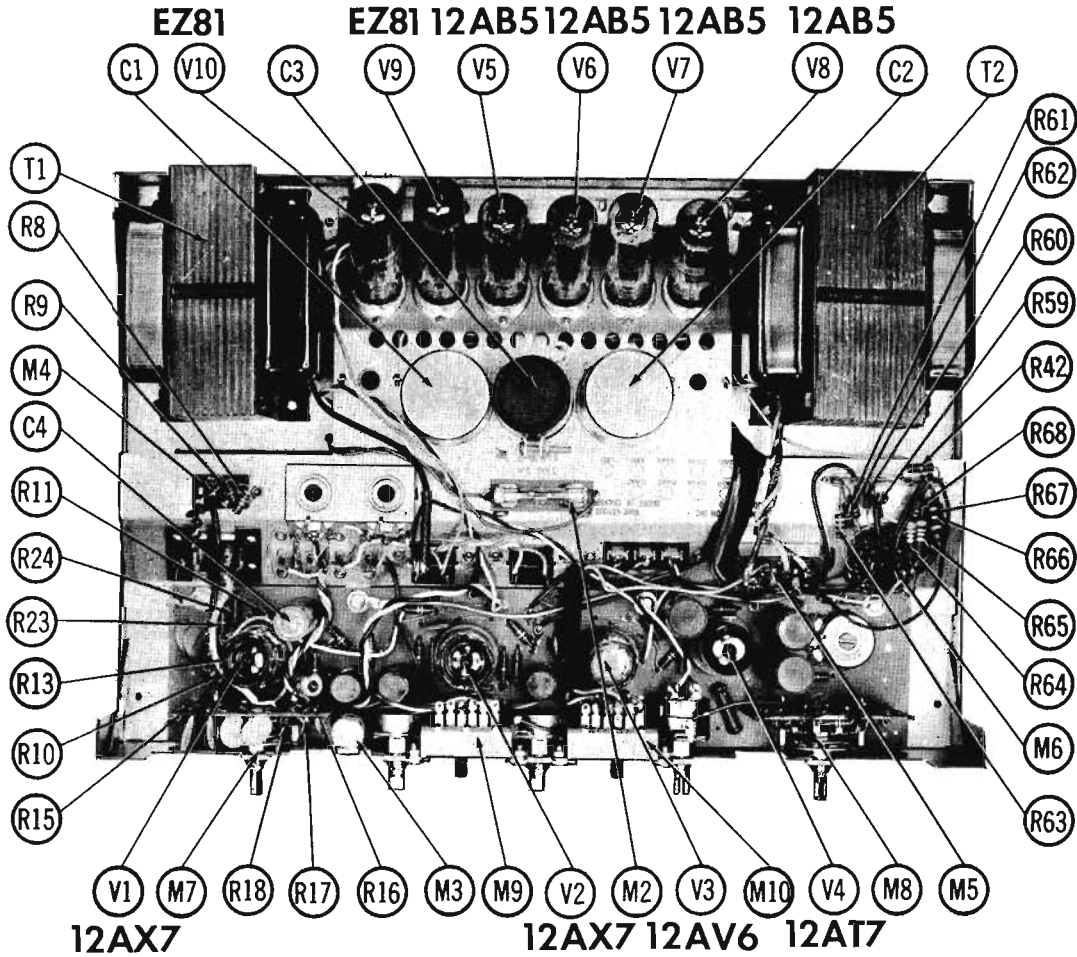
RESISTANCE READINGS

ITEM	TUBE	Pin 1	Pin 2	Pin 3	Pin 4	Pin 5	Pin 6	Pin 7	Pin 8	Pin 9
V1	12AX7	† 300K	220K	1500Ω	37K	37K	† 270K	47K	820 Ω	37K
V2	12AX7	† 300K	600K	1500Ω	37K	37K	† 32K	1.1meg	100K	37K
V3	12AV6	470K	1100Ω	37K	37K	NC	NC	† 500K		
V4	12AT7	† 60K	† 500K	27K	37K	37K	† 60K	† 1.5meg	27K	37K
V5	12AB5	† 1000Ω	TP	165K	37K	37K	165K	0Ω	† 1000Ω	† 100Ω
V6	12AB5	† 1000Ω	TP	165K	37K	37K	165K	0Ω	† 1000Ω	† 100Ω
V7	12AB5	† 1000Ω	TP	165K	37K	37K	165K	0Ω	† 1000Ω	† 100Ω
V8	12AB5	† 1000Ω	TP	165K	37K	37K	165K	0Ω	† 1000Ω	† 100Ω
V9	E281	90Ω	NC	20K(min)	37K	37K	NC	90Ω	NC	NC
V10	E281	81Ω	NC	20K(min)	37K	37K	NC	81Ω	NC	NC

† MEASURED FROM PIN 3 OF V10
 † MEASURED FROM PIN 8 OF V2
 NC NO CONNECTION
 TP TIE POINT







CHASSIS-TOP VIEW

PARTS LIST AND DESCRIPTIONS TUBES (GENERAL ELECTRIC, SYLVANIA)

ITEM No.	USE	TYPE	NOTES	ITEM No.	USE	TYPE	NOTES
V1	Phono Preamplifier	12AX7		V6	Output	12AB5	
V2	Cath. Follower-AF Amp.	12AX7		V7	Output	12AB5	
V3	AF Amplifier	12AV6		V8	Output	12AB5	
V4	AF Amplifier-Phase Inv.	12AT7		V9	Rectifier	EZ81	
V5	Output	12AB5		V10	Rectifier	EZ81	

ELECTROLYTIC CAPACITORS

ITEM No.	RATING		REPLACEMENT DATA							
	CAP.	VOLT.	Harman-Kardon PART No.	AEROVOX PART No.	CORNELL DUBLIER PART No.	MALLOY PART No.	PYRAMD PART No.	SANGAMO PART No.	SPRAGUE PART No.	
C1	40	475	JE1071739	AFH1-58-10	A0518	FP284	TMD-61	S-300	TVL-1820	
C2A	20	475	JE1071740	AFB2-69	B0500		TMD-61	D-270	TVL-2935	
C3	50	150		AFH1-18	A0200	FP115	TMS-20	S-080	TVL-1415	
C4	10	150	JE1021711	PR8150V10	BBR10-150	TC42	TD-10-150	MT-1510	TVA-1406	

FIXED CAPACITORS

Capacity values given in the rating column are in mfd. for Paper Capacitors, and in mmfd. for Mica and Ceramic Capacitors.

ITEM No.	RATING		REPLACEMENT DATA								NOTES
	CAP.	VOLT.	Harman-Kardon PART No.	AEROVOX PART No.	CENTRALAB PART No.	CORNELL DUBLIER PART No.	ERIE PART No.	MALLOY PART No.	SPRAGUE PART No.		
C5	.05	200		P288N-05	DF-503	CUB285	GEM-415	2TM-55			
C6	.05	400				BC8647J	ACE615	4SE-947			
C7	4700					IR5D47		MS-247	10%		
C8	4700					IR5D1	ED-1000	MS-247	10%		
C9	1000					IR5D1	ED-1000	MS-21	10%		
C10	1000					IR5D1	ED-1000	MS-21	10%		
C11	1000					IR5D1	ED-1000	MS-21	10%		
C12	47			BPD-000047	DD-470	L10Q47	ED-47	5GA-Q47	①		
C13	270			NPO-S1270	D6-271	5R5T27	ED-270	MS-327	10%		
C14	10000			BPD-01	DD-103	BYA851	ED-01	DC511			
C15	10000			BPD-01	DD-103	BYA851	ED-01	DC511			
C16	10000			BPD-01	DD-103	BYA851	ED-01	DC511			
C17	.1	200				BC2P1J		2S5-P10			
C18	3900					IR5D39		MS-239	10%		
C19	3900					IR5D39		MS-239	10%		
C20	100			N750-D100	TCN-100	C107U1	TC7-100	STCU-T1	N750 10%		
C21	.05	400				BC6847J		4SE-947			
C22	3900					IR5D39		MS-239	10%		
C23	.1	200				BC2P1J		2S5-P10			
C24	47			BPD-000047	DD-470	L10Q47	ED-47	5GA-Q47	①		
C25	270			S1270	D6-271	5R5T27	GP-270	UC-5327			
C26	.22	400				BC6P22J		ACB2022			
C27	.22	400				BC6P22J		ACB2022			
C28	.22	400				BC6P22J		ACB2022			
C29	1000	2000		HVD-30-1000	DD30-102	HV B20D1	HD3-1000	DC3021	20HK9-D1 ①		
C30	1000	2000		HVD-30-1000	DD30-102	HV B20D1	HD3-1000	DC3021	20HK9-D1 ①		
C31	1000	2000		N750-D100	TCN-100	C107U1	TC7-100	STCU-T1	N750		

① Not Used in Some Versions

CONTROLS

ITEM No.	RATING		REPLACEMENT DATA					INSTALLATION NOTES
	RESISTANCE	WATTS	Harman-Kardon PART No.	CENTRALAB PART No.	GLAROSTAT PART No.	IRC PART No.	MALLOY PART No.	
RLA	1meg		RV1021636					Loadness Tap @ 500K Power On-Off
R2	500K		RV1021634					Treble Tap @ 100K
R3	1meg		RV1021635					Bass Signal Balance
R4	15K		RV1021726					Hue Adjustment
R5A	500K		RV1021709					
B	Shaft			AB-4	A47-500-S	BI1-103	TAS5L	Not Req.
R6A	15K		RV1021708	AK-1	FKS-1/4	TMD-Kit	TA15L	Not Req.
B	Shaft			AB-22	A47-15K-K	BI1-118	TA15L	Not Req.
R7A	500K		RV1071756	AK-1	FKS-1/4-K-B	TMD-Kit	TA15L	Not Req.
B	Shaft			EX-59	A47-500K-S	BI1-133	TAS5L	Not Req.
C	Shaft			Not Req.	FKS-1/4-S	TMD-Kit	Not Req.	* Two Required.

PARTS LIST AND DESCRIPTIONS (Continued) RESISTORS

All wattages 1/2 watt, or less, unless otherwise listed.

ITEM No.	RATING		Harman-Kardon PART No.	NOTES	ITEM No.	RATING		Harman-Kardon PART No.	NOTES
	OHMS	WATT				OHMS	WATT		
R8	47K				R40	470K			
R9	180K				R41	68K			Note 3
R10	47K				R42	1200K			
R11	56K				R43	1meg			
R12	580K				R44	47K			
R13	820K				R45	27K			
R14	220K				R46	47K			
R15	1meg			Note 1	R47	1000K			
R16	2.2meg			Note 2	R48	150K			
R17	68K				R49	47K			
R18	56K			Note 3	R50	1000K			
R19	330K			Note 4	R51	100GΩ			
R20	680K			Note 3	R52	1000K			
R21	270K				R53	150K			
R22	1500K				R54	47K			
R23	470K				R55	15K			
R24	2.2meg				R56	1000K			
R25	1meg				R57	1000K			
R26	1500K				R58	150K			
R27	100K				R59	18K			
R28	1000K				R60	53K			
R29	470K				R61	100K			
R30	100K				R62	270K			
R31	100K				R63	470K			
R32	270K				R64	0.33K			
R33	1500K				R65	0.33K			
R34	470K				R66	0.27K			
R35	56K				R67	2.7K			
R36	56K				R68	0.27K			
R37	56K				R69	27K			
R38	180K				R70	4700K			
R39	390K								

Note 1. Some versions may use 470K in this application
 Note 2. Some versions may use 1meg in this application
 Note 3. Not used in some versions
 Note 4. Some versions may use 220K in this application
 Note 5. Some versions may use 0.18K in this application
 Note 6. Some versions may use 0.24K in this application

TRANSFORMER (POWER)

ITEM No.	RATING			REPLACEMENT DATA					
	PR1	SEC. 1	SEC. 2	Harman-Kardon PART No.	Holderson PART No.	Merrit PART No.	Stoncor PART No.	Thordarson PART No.	Triod PART No.
T1	117V ② .83A	120VCI ④ .074A	12V ⑤ 2.6A	FT1071720					

TRANSFORMER (AUDIO OUTPUT)

ITEM No.	IMPEDANCE		REPLACEMENT DATA						NOTES
	PR1	SEC.	Harman-Kardon PART No.	Holderson PART No.	Merrit PART No.	Stoncor PART No.	Thordarson PART No.	Triod PART No.	
T2	4400K	18K	FT1071730				22878 ①		① Use Orig. Shields Do Not Use 250K, 500K Taps

PARTS LIST AND DESCRIPTIONS (Continued)

RECTIFIERS

ITEM No.	RATING	REPLACEMENT DATA				NOTES
	CURRENT (Measured)	Harman-Kardon PART No.	FEDERAL PART No.	INTERNATIONAL PART No.	SARKIS TAZIAN PART No.	
M1	.002A	21021726	1159	CR30	10	

FUSES

ITEM No.	TYPE	RATING	REPLACEMENT DATA					
			Harman-Kardon PART No.		LITTELFUSE PART No.		BUSS PART No.	
			FUSE	HOLDER	FUSE	HOLDER	FUSE	HOLDER
M2	3AG	2/10A 125V S/B			313.200 (3AG 2/10A 125V S/B)	357001	MDL 2/10	4405

MISCELLANEOUS

ITEM No.	PART NAME	Harman-Kardon PART No.	NOTES
M3	Pilot Lamp	KB1071741	#1815
M4	Switch		Fair - GE-Pick (Slide Type SPDT)
M5	Switch		Impedance Selector (Slide Type SPST)
M8	Switch	ER371057	Damping Factor (Rotary Wafer Type)
M7	Switch	ER1021633	Function (Rotary Wafer Type)
M8	Switch	ER1021632	Contour (Rotary Wafer Type)
M9	Switch		Rumble Filter (Slide Type DPST)
M10	Switch	EB1021717	Speaker (Slide Type DPST)

WIRING DATA

General-use Unshielded Hook-up Wire	Use BELDEN No. 6530 (Solid) Available in Ten Colors 6534 (Stranded) Available in Ten Colors
Power Cord	Use BELDEN No. 1785-B (6 Ft. Length) 1725-K (1 1/2 Ft. Length)
Low-Loss Shielded Lead (Interconnecting)	Use BELDEN No. 0401
Phono Pick-up Arm Cable	Use BELDEN No. 8430 (Two Conductor - Twisted)

CABINETS & CABINET PARTS

(When Ordering Cabinets & Cabinet Parts, Specify Model, Chassis & Color)

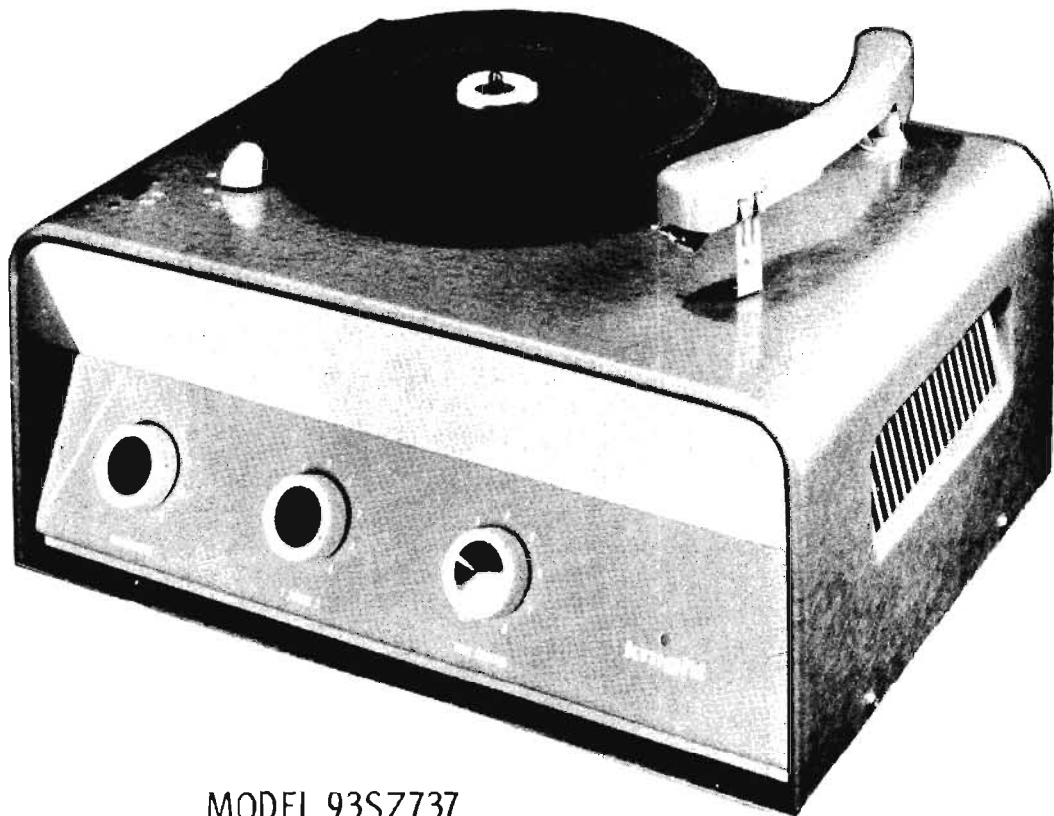
ADJUSTMENTS

BIAS BALANCE ADJUSTMENT (R6)

This control should be adjusted if an output tube (V5, V8, V7, or V8) is replaced. Connect a suitable load (speaker or resistor) across the speaker terminals and allow the amplifier to warm-up. Connect an oscilloscope across the speaker terminals. With volume control at minimum, adjust R6 for a straight line on the screen of the scope. If an oscilloscope is not available, an AC VTVM may be connected across the speaker terminals and R6 adjusted for a minimum reading on the meter. (This should be approximately 1-5 millivolts).

SIGNAL BALANCE ADJUSTMENT (R4)

This control should be adjusted if new tubes are installed in the amplifier. The "Bias Balance" control (R8) should be adjusted prior to adjusting R4. Connect an IM analyzer, with a signal ratio of 4:1, to the amplifier. Set volume control for maximum output. Adjust the "Signal Balance" control (R4) for minimum IM.



MODEL 93SZ737

**KNIGHT
MODELS 93SZ505, 93SZ737**

TRADE NAME	Knight Models 93SZ505, 93SZ737		
SUPPLIER	Allied Radio Corp., 100 N. Western Ave., Chicago 80, Illinois		
TYPE SET	AC Operated 16 Watt 3 Channel Audio Amplifier (Model 93SZ737 Has 4 Speed Manual Record Player)		
TUBES (Five)	Types 6AV6 Mic. Preamp, ECC83 (or) 12AD7 (or) 12AX7 AF Amplifier, (2) 6V6GT Output, 5Y3GT Rectifier		
POWER SUPPLY	110-120 Volts AC - 60 Cycles	RATING	.6 Amp. @ 117 Volts AC, 62 Watts

HOWARD W. SAMS & CO., INC. • Indianapolis 5, Indiana

The listing of any available replacement part herein does not constitute in any case a recommendation, warranty or guaranty by Howard W. Sams & Co., Inc., as to the quality and suitability of such replacement part. The numbers of these parts have been compiled from information furnished to Howard W. Sams & Co., Inc., by the manufacturers of H170

the particular type of replacement part listed. Reproduction or use, without express permission, of editorial or pictorial content, in any manner, is prohibited. No patent liability is assumed with respect to the use of the information contained herein. © 1957 Howard W. Sams & Co., Inc., Indianapolis 5, Indiana. Printed in U.S. of America

PARTS LIST AND DESCRIPTIONS

TUBES (GENERAL ELECTRIC, SYLVANIA)

ITEM No.	USE	TYPE	NOTES	ITEM No.	USE	TYPE	NOTES
V1	Mic. Preamplifier	6AV6		V3	Output	6V6GT	
V2	AF Amplifier	ECC83/ 12AX7	Note 1	V4	Output	6V6GT	
				V5	Rectifier	5Y3GT	

Note 1. Some versions use a 12AD7 in this application.

ELECTROLYTIC CAPACITORS

ITEM No.	RATING		REPLACEMENT DATA							
	CAP.	VOLT.	KNIGHT PART No.	AEROVOX PART No.	CORNELL-DUBILIER PART No.	MALLORY PART No.	PYRAMID PART No.	SANGAMO PART No.	SPRAGUE PART No.	
C1A	.40	450		AFH3-4I	C0320	F P398. 2	TMT-36	Q-055	TVL-3783	
B	.10	450								
C	.10	450								
C2	8	450		PRS450VB	BR845	TC71	TD-8-450	MT-4508	TVA-1704	
C3	35	50		PRS150V40	BR505	TC48	TD-40-150	MT-1540	TVA-1308	

FIXED CAPACITORS

Capacity values given in the rating column are in mfd. for Paper Capacitors, and in mmd. for Mica and Ceramic Capacitors.

ITEM No.	RATING		REPLACEMENT DATA								NOTES
	CAP.	VOLT.	KNIGHT PART No.	AEROVOX PART No.	CENTRALAB PART No.	CORNELL-DUBILIER PART No.	ERIE PART No.	MALLORY PART No.	SPRAGUE PART No.		
C4	10000			BPD-0I	DD-103	BYA85I	ED-0I	DCS1I	5HK-8I	10% 10% 10%	
C5	10000			BPD-0I	DD-103	BYA85I	ED-0I	DCS1I	6HK-8I		
C6	500				DD-50I		ED-500				
C7	100				DD-15I	L10T15	ED-150				
C8	2200										
C9	.047	800		P888N-047	DF-503	CUB6547		GEM-6147	6TM-547		
C10	.047	800		P888N-047	DF-503	CUB6547		GEM-6147	6TM-547		
C11	.047	800		P888N-047	DF-503	CUB6547		GEM-6147	6TM-547		
C12	.047	800		P888N-047	DF-503	CUB6557		GEM-6147	6TM-547		
C13	.02	600		P888N-02	DD-203	CUB652		GEM-612	6TM-52		

CONTROLS

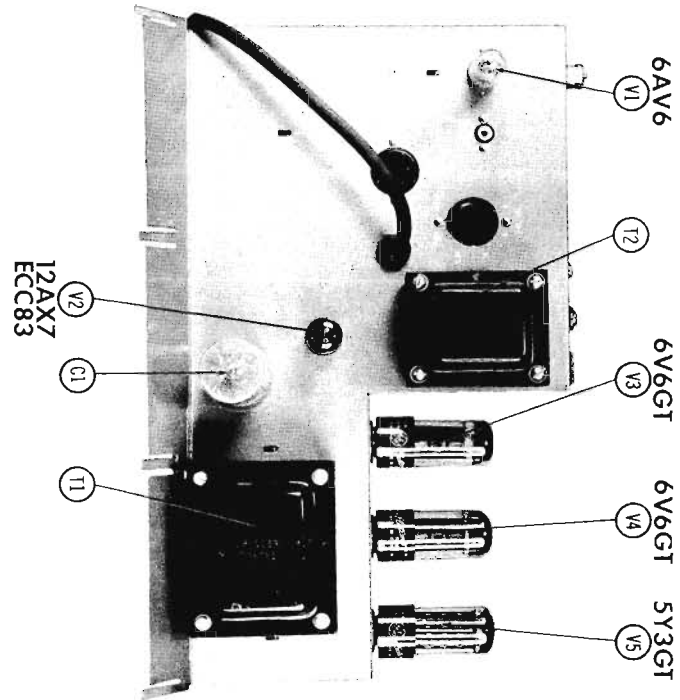
ITEM No.	RATING		REPLACEMENT DATA					INSTALLATION NOTES
	RESISTANCE	WATTS	KNIGHT PART No.	CENTRALAB PART No.	CLAROSTAT PART No.	IRC PART No.	MALLORY PART No.	
R1A	1Meg	1	RP-105AC-C	B-70	A47-1Meg-Z	Q13-137	U53	Tone
B	Shaft			Not Req.	K86-3	Not Req.	US-28	
C	Switch			KB-1	SWS-12	Not Req.	US-28	
R2	4Meg	1	RP-405A	B-70	A47-1Meg-Z	Q13-137	U53	Phono #1 & #2, Tap @ 2Meg
R3A	1Meg			RP-105A	K85-3	Not Req.	Not Req.	
B	Shaft			Not Req.				Mic. Input

RESISTORS

All wattages 1/2 watt, or less, unless otherwise listed.

ITEM No.	RATING		REPLACEMENT DATA			ITEM No.	RATING		REPLACEMENT DATA			NOTES
	OHMS	WATT	KNIGHT PART No.	IRC PART No.	NOTES		OHMS	WATT	KNIGHT PART No.	IRC PART No.		
R4	10Meg			BTS-10Meg		R13	100K			BTS-100K		
R5	470K			BTS-470K		R14	1000Ω			BTS-1000		
R6	220K			BTS-220K		R15	100K			BTS-100K		
R7	470K			BTS-470K		R16	470K	4		BTS-470K		
R8	470K			BTS-470K		R17	250Ω			PM4-250		
R9	2700Ω			BTS-2700		R18	470K			BTS-470K		
R10	330K			BTS-330K		R19	3300Ω	1		BTA-3300		
R11	470K			BTS-470K		R20	10K			BTS-10K		
R12	470K			BTS-470K		R21	22K			BTS-22K		

CHASSIS—TOP VIEW



PARTS LIST AND DESCRIPTIONS (Continued)

TRANSFORMER (POWER)

ITEM No.	RATING				REPLACEMENT DATA					
	PR1.	SEC. 1	SEC. 2	SEC. 3	KNIGHT PART No.	Hollidson PART No.	Merit PART No.	Stencor PART No.	Thordorson PART No.	Triod PART No.
T1	117VAC ⊕ .6A	840VCT ⊕ .076A	5VAC ⊕ 2A	8.3VCT ⊕ 1.6A	LP-0258	P9316	P-2953	PM9410	22R05	R-148

TRANSFORMER (AUDIO OUTPUT)

ITEM No.	IMPEDANCE		REPLACEMENT DATA							NOTES
	PR1.	SEC.	KNIGHT PART No.	Hollidson PART No.	Merit PART No.	Stencor PART No.	Thordorson PART No.	Triod PART No.		
T2	8800Ω CT	5000 Tap ⊕ 70V, 250Ω, 16Ω, 8Ω, 4Ω	L0-0150							

PHONO CARTRIDGE

ITEM No.	REPLACEMENT DATA				REMARKS
	KNIGHT PART No.	A-STATIC PART No.	ELECTRO-VOICE PART No.		
M1		55T * P-65-T	GD	55 * 2758	PT-2 * Tone Arm Complete With Cartridge.

A-STATIC NEEDLE LISTING SHOWN ABOVE IS SPECIFIED FOR THE RESPECTIVE REPLACEMENT CARTRIDGE LISTED. FOR ORIGINAL CARTRIDGE NEEDLE REPLACEMENTS SEE BELOW.

PHONO NEEDLE

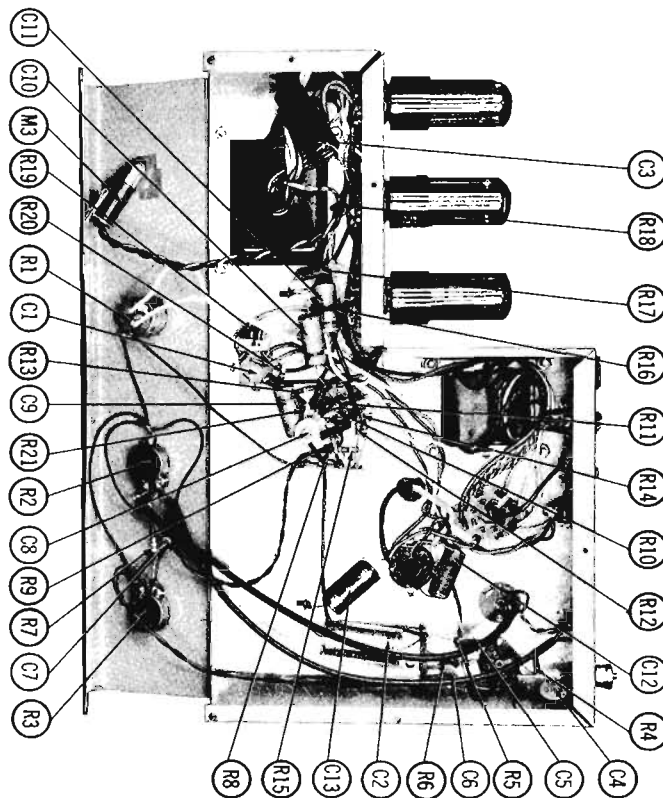
(FOR REPLACEMENT IN ORIGINAL EQUIPMENT CARTRIDGE)

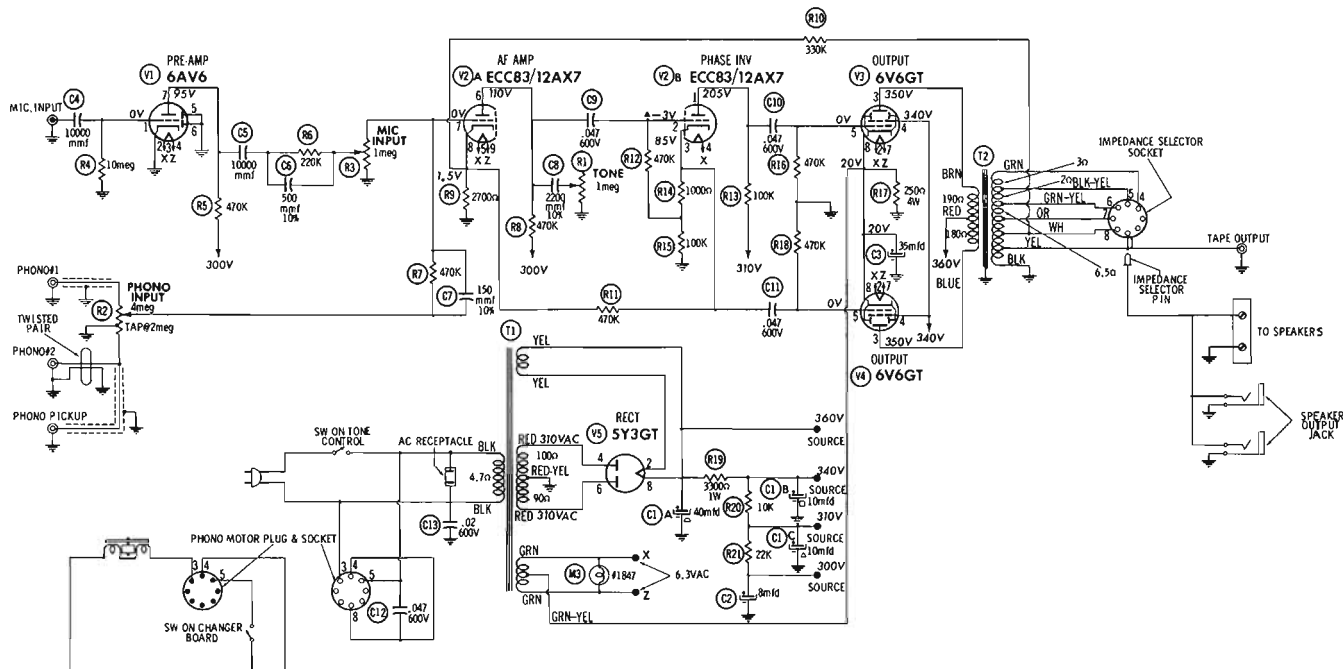
ITEM No.	REPLACEMENT DATA			REMARKS
	KNIGHT PART No.	JENSEN PART No.	WALCO PART No.	
M2		† A-71 or † A-71SD or * A-71D	† W-STPA or † W-8TP8 or † W-8DS or * W-8TPD	* Metal † Jewel * Diamond

MISCELLANEOUS

ITEM No.	PART NAME	KNIGHT PART No.	NOTES
M3	Panel Lamp		#1847

CHASSIS—BOTTOM VIEW





- DC voltage measurements taken with vacuum tube voltmeter; AC voltages measured at 1000 ohms per volt.
- Socket connections are shown as bottom views.
- Measured values are from socket pin to common negative.
- Line voltage maintained at 117 volts for voltage readings.
- Nominal tolerance of component values makes possible a variation of $\pm 15\%$ in voltage and resistance readings.
- All controls at minimum, proper output load connected.

RESISTANCE READINGS

ITEM	TUBE	Pin 1	Pin 2	Pin 3	Pin 4	Pin 5	Pin 6	Pin 7	Pin 8	Pin 9
V1	6AV6	10Meg	0 ∞	250 ∞	250 ∞	0 ∞	0 ∞	\dagger 500K		
V2	ECC83/ 12AX7	\dagger 110K	570K	100K	250 ∞	250 ∞	\dagger 500K	650K	250 ∞	250 ∞
V3	6V6GT	0 ∞	250 ∞	\dagger 190 ∞	\dagger 3300 ∞	470K	NC	250 ∞	250 ∞	
V4	6V6GT	0 ∞	250 ∞	\dagger 180 ∞	\dagger 3300 ∞	470K	NC	250 ∞	250 ∞	
V5	5Y3GT	NC	20K(M/N)	TP	100 ∞	TP	90 ∞	NC	20K(M/N)	

\dagger MEASURED FROM PIN 2 OF V5

Δ MEASURED FROM PIN 3 OF V2

TP TIE POINT

NC NO CONNECTION



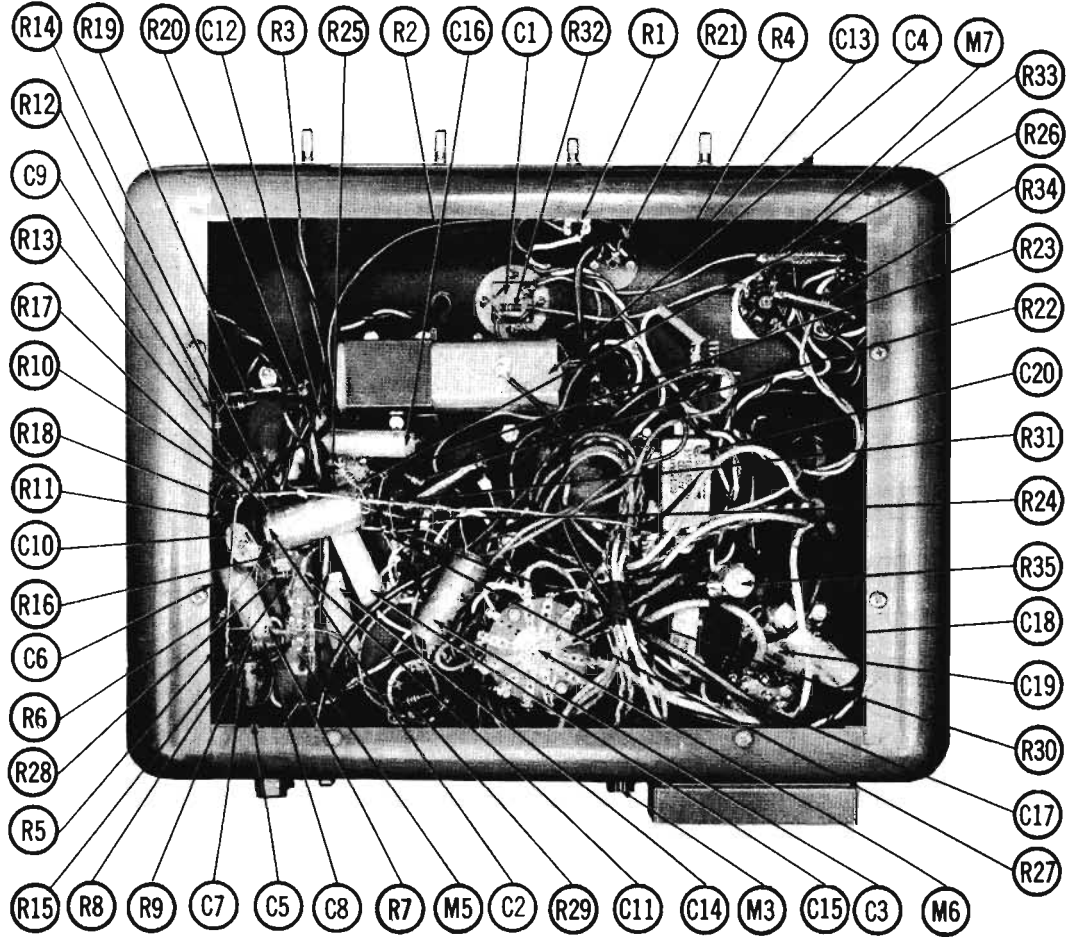
**KNIGHT
MODEL 93SZ645**

TRADE NAME	Knight Model 93SZ645		
SUPPLIER	Allied Radio Corp., 100 N. Western Ave., Chicago 80, Ill.		
TYPE SET	AC (or) Battery Operated 4 Channel 25 Watt Mobile Audio Amplifier		
TUBES (Seven)	Types 12AX7 Mic. 1-Mic. 2-Mag. Preamp., 12AX7 Mic. 1-Mic. 2-Mag. Preamp. 12AX7 AF Amp. -Phase Inv., (2) 6L6G Output, (2) 6X5GT Rectifier		
POWER SUPPLY	110-130 Volts AC - 60 Cycles (or)	RATING	.92 Amp. @ 117 Volts AC (100 Watts) (or)
	6 Volt Storage Battery (or)		15.5 Amp. @ 6.3 Volts DC (or)
	12 Volt Storage Battery		8.75 Amp. @ 12.6 Volts DC

HOWARD W. SAMS & CO., INC. • Indianapolis 5, Indiana

"The listing of any available replacement part herein does not constitute in any case a recommendation, warranty or guaranty by Howard W. Sams & Co., Inc., as to the quality and suitability of such replacement part. The numbers of these parts have been compiled from information furnished to Howard W. Sams & Co., Inc., by the manufacturers of the particular type of replacement part listed."
"Reproduction or use, without express permission, of editorial or pictorial content, in any manner, is prohibited. No patent liability is assumed with respect to the use of the information contained herein. Copyright 1957 by Howard W. Sams & Co., Inc., Indianapolis 5, Indiana, U. S. of America. Copyright under international Copyright Union. All rights reserved under Inter-American Copyright Union (1910) by Howard W. Sams & Co., Inc." Printed in U. S. of America

lent, in any manner, is prohibited. No patent liability is assumed with respect to the use of the information contained herein. Copyright 1957 by Howard W. Sams & Co., Inc., Indianapolis 5, Indiana, U. S. of America. Copyright under international Copyright Union. All rights reserved under Inter-American Copyright Union (1910) by Howard W. Sams & Co., Inc." Printed in U. S. of America



CHASSIS BOTTOM VIEW

PARTS LIST AND DESCRIPTIONS TUBES (GENERAL ELECTRIC, SYLVANIA)

ITEM No.	USE	TYPE	NOTES	ITEM No.	USE	TYPE	NOTES
V1	Mic. 1-Mic. 2-Mag. Preamp.	12AX7		V6	Output	6L6G	
V2	Mic. 1-Mic. 2-Mag. Preamp.	12AX7		V8	Rectifier	6X9GT	
V3	A.F. Amp. -Phase Inverter	12AX7		V7	Rectifier	6X9GT	
V4	Output	6L6G					

ELECTROLYTIC CAPACITORS

ITEM No.	RATING		REPLACEMENT DATA							
	CAP.	VOLT.	KNIGHT PART No.	AEROVOX PART No.	CORNELL-DUBILIER PART No.	MALLORY PART No.	PYRAMID PART No.	SANGAMO PART No.	SPRAGUE PART No.	
CLA	40	450		APF3-41	CO320	FP396-2	TMT-36	Q-055	TVL-3783	
B	10	450								
C	10	450								
C2	8	450		PR850V8	BR845	TC71	TD-8-450	FM-4508	TVA-1704	
C3	35	50		PR850V40	BR805	TC39	FD-50-50	FM550	TVA-1508	
C4	4.0	800		JPO8MR600V4	TJU8040	TX803	PLM6-4	7106-4	CR46	

FIXED CAPACITORS

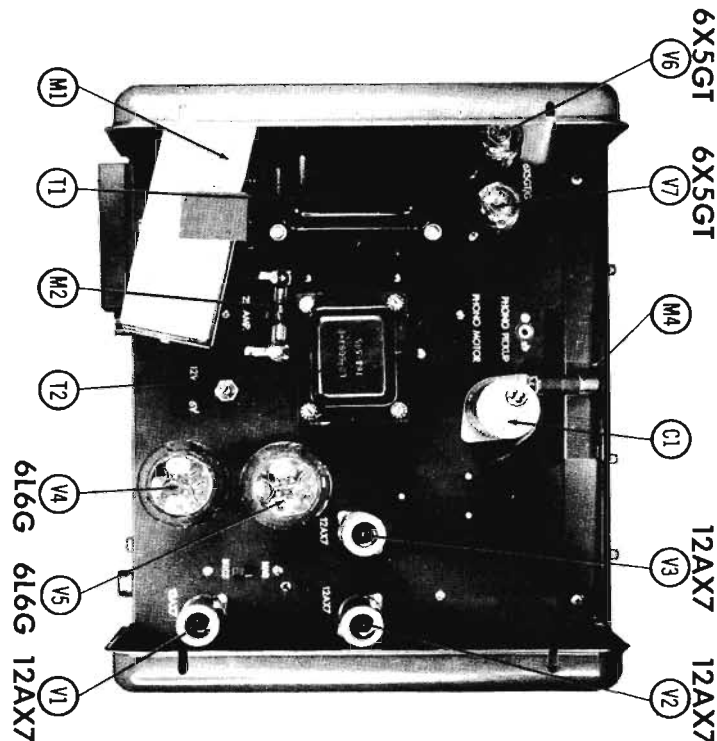
Capacity values given in the rating column are in mfd. for Paper Capacitors, and in mmfd. for Mica and Ceramic Capacitors.

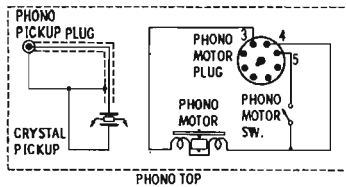
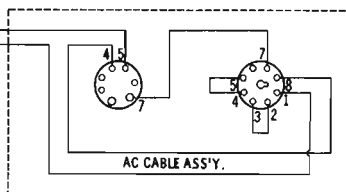
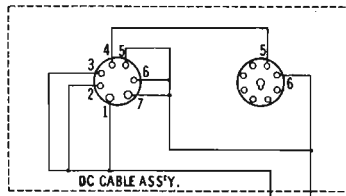
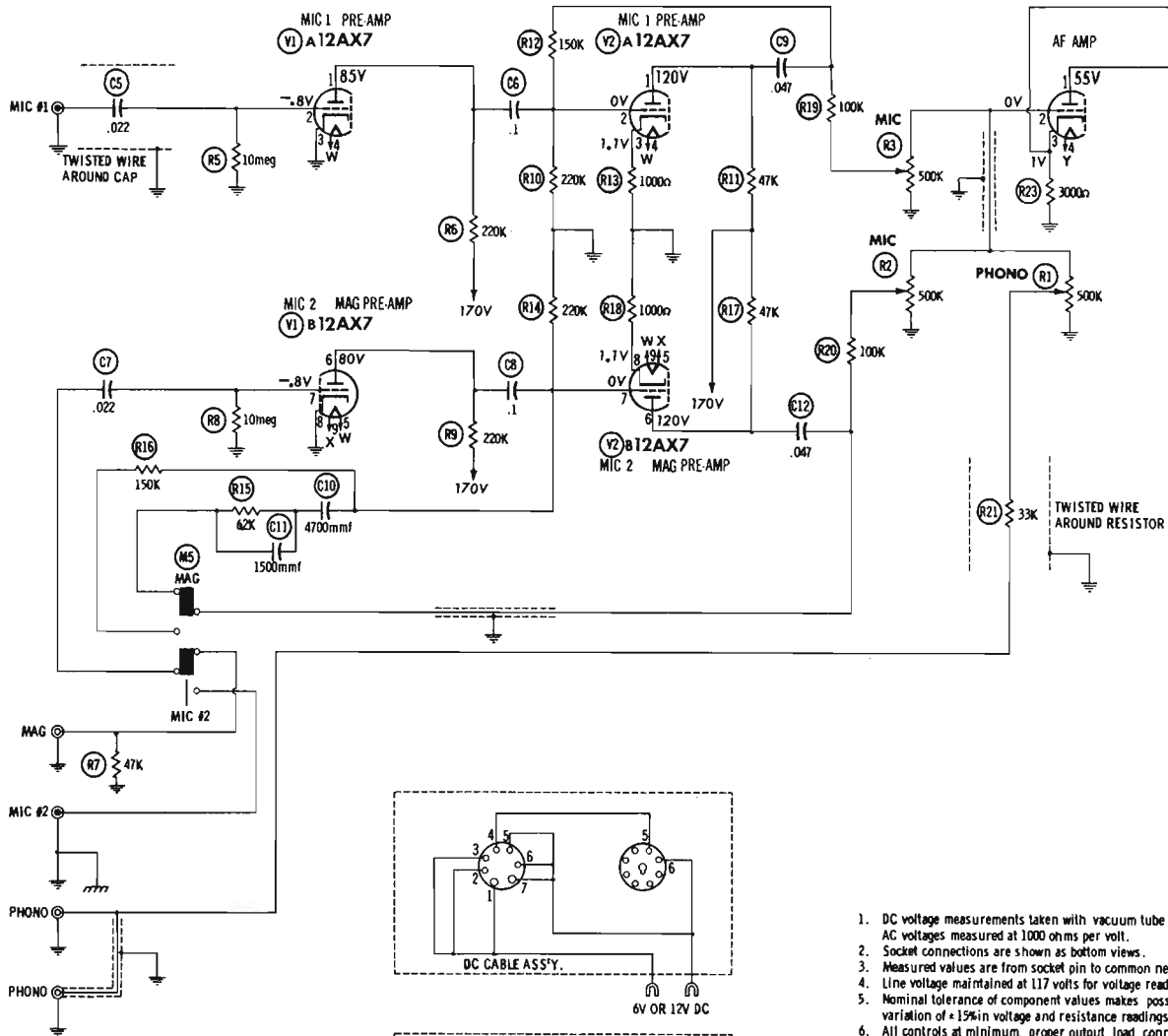
ITEM No.	RATING		REPLACEMENT DATA								NOTES
	CAP.	VOLT.	KNIGHT PART No.	AEROVOX PART No.	CENTRALAB PART No.	CORNELL-DUBILIER PART No.	EAE PART No.	MALLORY PART No.	SPRAGUE PART No.		
C5	.022	200		BPD-02	DD-203	CU94822	ED-02	GEM-4122	4TM-822		
C6	.1	800		P668N-1	DF-104	CU94821	ED-02	GEM-401	6TM-P1		
C7	.022	200		BPD-02	DD-203	CU94822	ED-02	GEM-4122	4TM-822		
C8	.1	800		P668N-1	DF-104	CU94821	ED-02	GEM-401	6TM-P1		
C9	.047	800		BPD-05	DF-503	CU98847	ED-0047	GEM-6147	6TM-847		
C10	4700	800		BPD-0047	DD-472	K070	ED-0047	UC-5247	5EK-D47		
C11	1500	800		BPD-0015	DD-152	K071	ED-0015	UC-5215	5GA-D15		
C12	.047	800		BPD-05	DF-503	CU98847		GEM-6147	6TM-847		
C13	.047	800		BPD-05	DF-503	CU98847		GEM-6147	6TM-847		
C14	.047	800		BPD-05	DF-503	CU98847		GEM-6147	6TM-847		
C15	.047	800		BPD-05	DF-503	CU98847		GEM-6147	6TM-847		
C16	.047	800		BPD-05	DF-503	CU98847		GEM-6147	6TM-847		
C17	.47	200		P288N-47		CU93247		GEM-4047	2TM-P47		
C18	.47	200		P288N-47		CU93247		GEM-4047	2TM-P47		
C19	.47	200		P288N-47		CU93247		GEM-4047	2TM-P47		
C20	.5	400		P288N-47		CU93247		GEM-4047	2TM-P47		

CONTROLS

ITEM No.	RATING		REPLACEMENT DATA					INSTALLATION NOTES
	RESISTANCE	WATTS	KNIGHT PART No.	CENTRALAB PART No.	CLAROSTAT PART No.	IRC PART No.	MALLORY PART No.	
R1A	500K	1/2		AB-50	A47-500K-S	Q11-133	U50	Phono Volume
B	500K	1/2		AK-4	R58-3	Not Req.	Not Req.	
C	500K	1/2		KB-1	RW2-12	78-1	US-26	
R2A	500K	1/2		AB-80	A47-500K-Z	Q13-133	U48	Mic. 2-Mag. Volume
B	500K	1/2		AK-4	R58-3	Not Req.	Not Req.	
R3A	500K	1/2		AB-50	A47-500K-Z	Q13-133	U46	Mic. 1 Volume
B	500K	1/2		AK-4	R58-3	Not Req.	Not Req.	
R4A	500K	1/2		AB-80	A47-500K-Z	Q13-133	U48	Tone
B	500K	1/2		AK-4	R58-3	Not Req.	Not Req.	

CHASSIS—TOP VIEW





1. DC voltage measurements taken with vacuum tube voltmeter; AC voltages measured at 1000 ohms per volt.
2. Socket connections are shown as bottom views.
3. Measured values are from socket pin to common negative.
4. Line voltage maintained at 117 volts for voltage readings.
5. Nominal tolerance of component values makes possible a variation of $\pm 15\%$ in voltage and resistance readings.
6. All controls at minimum, proper output load connected.

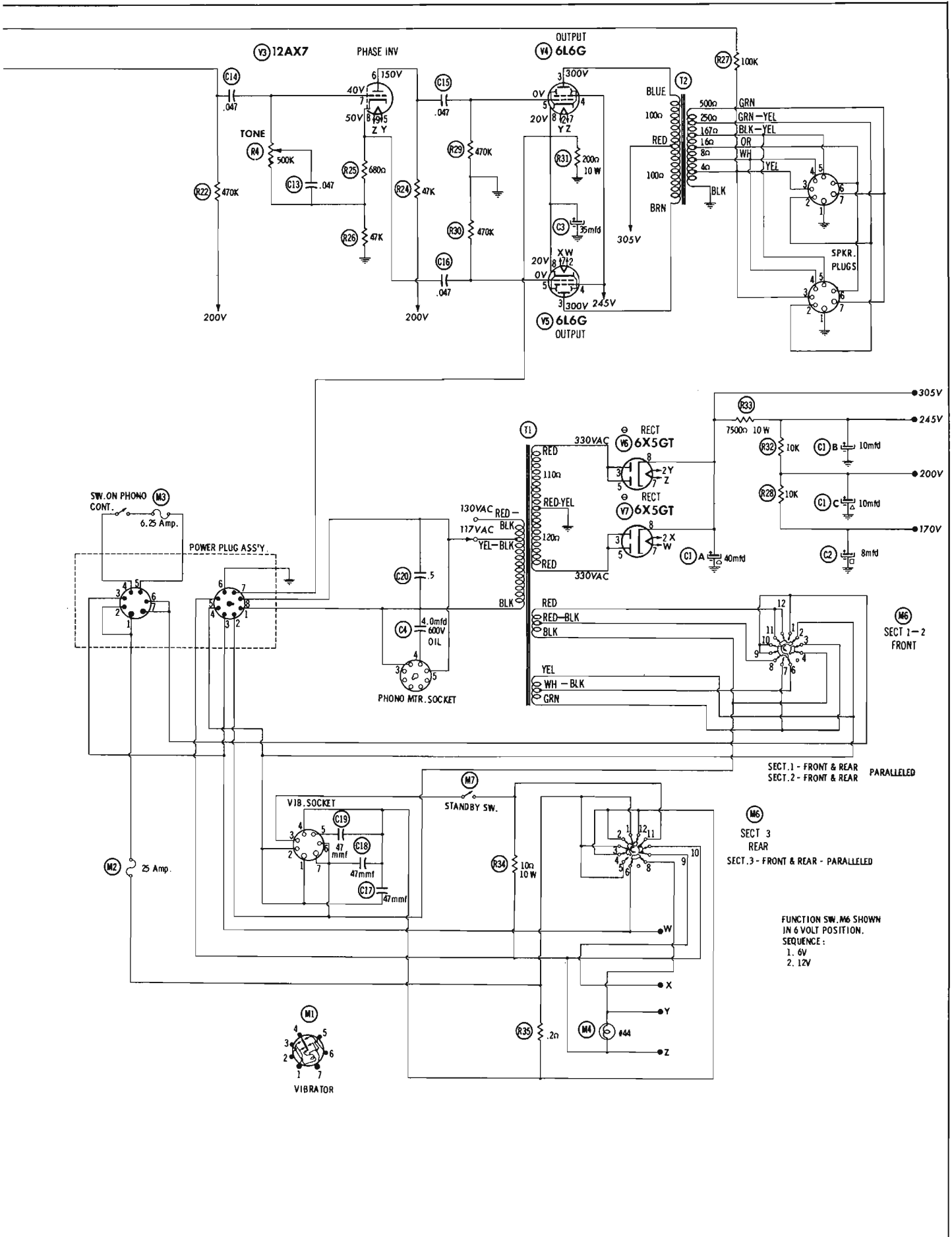
SEE PARTS LIST FOR ALTERNATE VALUE OR APPLICATION

RESISTANCE READINGS

ITEM	TUBE	Pin 1	Pin 2	Pin 3	Pin 4	Pin 5	Pin 6	Pin 7	Pin 8	Pin 9
V1	12AX7	† 245K	18Meg	0 Ω	200 Ω	200 Ω	† 245K	10Meg	0 Ω	200 Ω
V2	12AX7	† 75K	100K	1000 Ω	200 Ω	200 Ω	† 75K	220K	1000 Ω	200 Ω
V3	12AX7	† 485K	125K	3000 Ω	200 Ω	200 Ω	† 65K	550K	48K	200 Ω
V4	6L6G	TP	200 Ω	† 100 Ω	† 7500 Ω	470K	TP	200 Ω	200 Ω	
V5	6L6G	TP	200 Ω	† 100 Ω	† 7500 Ω	470K	TP	200 Ω	200 Ω	
V6	6X5GT	NC	200 Ω	110 Ω	NC	110 Ω	TP	200 Ω	30K	
V7	6X5GT	NC	200 Ω	120 Ω	TP	120 Ω	NC	200 Ω	30K	

† MEASURED FROM PIN 8 OF V6
 NC NO CONNECTION
 TP TIE POINT

A PHOTOFAC STANDARD NOTATION SCHEMATIC
 © Howard W. Sams & Co., Inc. 1957



PARTS LIST AND DESCRIPTIONS (Continued)

RESISTORS

All wattages 1/2 watt, or less, unless otherwise listed.

ITEM No.	RATING			REPLACEMENT DATA		NOTES	ITEM No.	RATING			REPLACEMENT DATA		NOTES
	OHMS	WATT		KNIGHT PART No.	IRC PART No.			OHMS	WATT		KNIGHT PART No.	IRC PART No.	
R5	10Meg			BTS-10Meg			R21	33K			BTS-33K		
R6	220K			BTS-220K			R22	470K			BTS-470K		
R7	47K			BTS-47K			R23	3000Ω 5%			BTS-3000 5%		
R8	10Meg			BTS-10Meg			R24	47K			BTS-47K		
R9	220K			BTS-220K			R25	680Ω			BTS-680		
R10	220K			BTS-220K			R26	47K			BTS-47K		
R11	47K			BTS-47K			R27	100K			BTS-100K		
R12	150K			BTS-150K			R28	10K			BTS-10K		
R13	1000Ω			BTS-1000			R29	470K			BTS-470K		
R14	220K			BTS-220K			R30	470K			BTS-470K		
R15	62K 5%			BTS-62K 5%			R31	200Ω	10		PW10-200		
R18	150K			BTS-150K			R32	10K			BTS-10K		
R17	47K			BTS-47K			R33	7500Ω	10		PW10-7500		
R16	1000Ω			BTS-1000			R34	10Ω	10		PW10-10		
R19	100K			BTS-100K			R35	.2Ω	20				
R20	100K			BTS-100K									

TRANSFORMER (POWER)

ITEM No.	RATING				REPLACEMENT DATA					
	PRI.	SEC. 1	SEC. 2	SEC. 3	KNIGHT PART No.	Hallardson PART No.	Merit PART No.	Stancor PART No.	Thorndorson PART No.	Triad PART No.
T1	AC OPERATION				LP-0239A					
	180VAC Tap② 117VAC ② . 92A	880VCT ② . 120A	83VCT ② 15A	83VCT ② 15A						
	DC OPERATION									
	PRI. 1 ② 2.5A	880VCT ② . 120A								
	PRI. 2 ② 2.5A									
	PRI. 3 ② 2.5A									

- ① 8V filament operation.
② 12V filament operation.
③ 8V input operation.
④ 12V input operation.

PARTS LIST AND DESCRIPTIONS (Continued)

TRANSFORMER (AUDIO OUTPUT)

ITEM No.	IMPEDANCE		REPLACEMENT DATA						NOTES
	PRL	SEC.	KNIGHT PART No.	Hallardson PART No.	Merit PART No.	Stancor PART No.	Thorndorson PART No.	Triad PART No.	
T2	8KCT	500Ω Tap② 250Ω, 167Ω, (70V), 16Ω, 8Ω 4Ω	LO-0093-D						

VIBRATOR

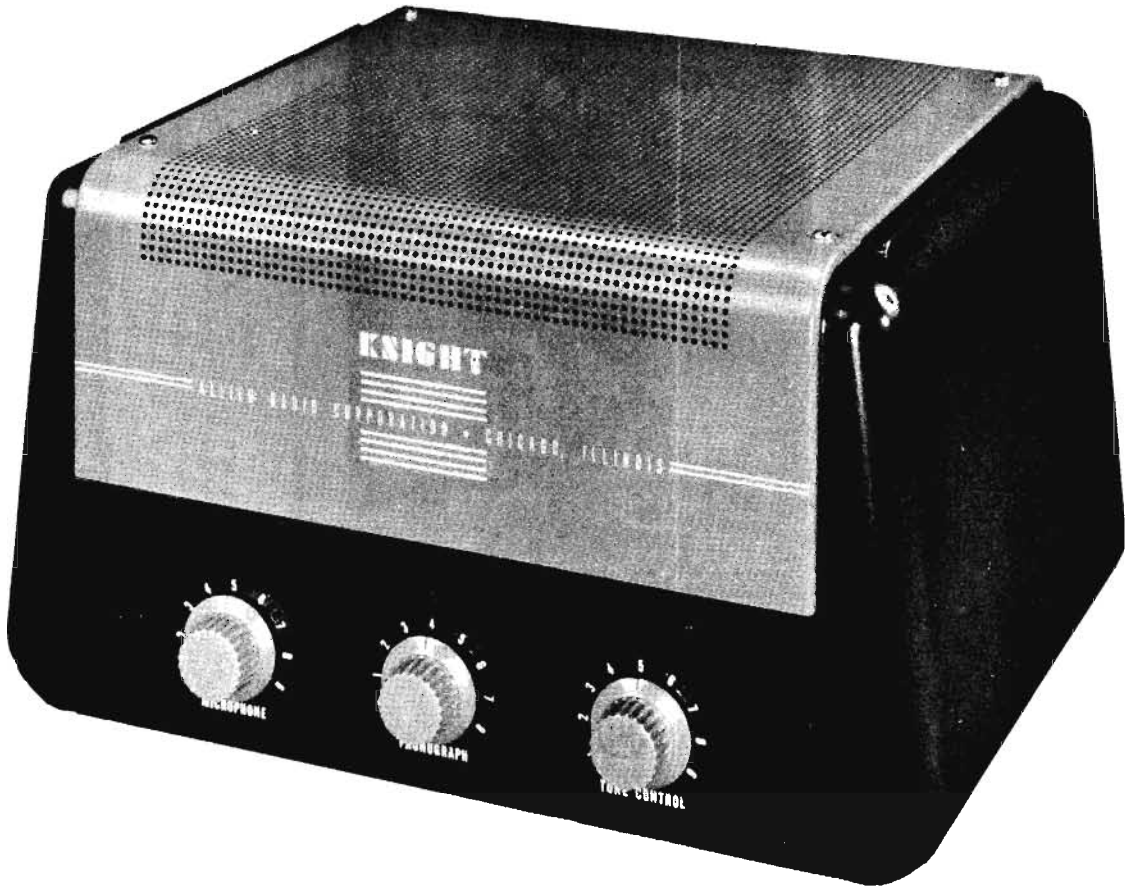
ITEM No.	TYPE	INPUT VOLTS	FRE-QUENCY	REPLACEMENT DATA				NOTES
				KNIGHT PART No.	CORNELL DUBILIER PART No.	HALLORY PART No.	RADIART PART No.	
M1	Interruptor	8 or 12	60	JV-0021	6VB0UL		6VB0UL	

FUSES

ITEM No.	TYPE	RATING	REPLACEMENT DATA					
			KNIGHT PART No.		LITELFUSE PART No.		BUSS PART No.	
			FUSE	HOLDER	FUSE	HOLDER	FUSE	HOLDER
M2	411	25A			411025. (4AG 25A)	458001	MDM 25	4512
M3	4AG	32V	313	8 1/4A	3136.25 (3AG 8 1/4A)	34100L	MDL 8 1/4	BXP

MISCELLANEOUS

ITEM No.	PART NAME	KNIGHT PART No.	NOTES
M4	Pilot Light		#44
M5	Switch		Mag-Mic. 2, Slide Type (DPDT)
M6	Switch		Power Changerover (Rotary, Wafer Type) 3 Gang.
M7	Switch		DC On-Stand By, Slide Type (SPST)



**KNIGHT
 MODEL 93SZ655**

TRADE NAME	Knight Model 93SZ655	
SUPPLIER	Allied Radio Corp., 100 N. Western Ave., Chicago 80, Ill.	
TYPE SET	AC Operated 3 Channel 15 Watt Audio Amplifier	
TUBES (Five)	Types 6SJ7 Mic Preampfier, 6SC7 AF Amp. -Phase Inv., (2) 6V6GT Output, 5Y3GT Rectifier	
POWER SUPPLY	105-130 Volts AC 50/60 Cycles	RATING .8 Amp. @ 117 Volts AC (75 Watts)

HOWARD W. SAMS & CO., INC. • Indianapolis 5, Indiana

"The listing of any available replacement part herein does not constitute in any case a recommendation, warranty or guaranty by Howard W. Sams & Co., Inc., as to the quality and suitability of such replacement part. The numbers of these parts have been compiled from information furnished to Howard W. Sams & Co., Inc., by the manufacturers of the particular type of replacement part listed."
 "Reproduction or use, without express permission, of editorial or pictorial con-
 G793

tent, in any manner, is prohibited. No patent liability is assumed with respect to the use of the information contained herein. Copyright 1957 by Howard W. Sams & Co., Inc., Indianapolis 5, Indiana, U. S. of America. Copyright under international Copyright Union. All rights reserved under Inter-American Copyright Union (1910) by Howard W. Sams & Co., Inc." Printed in U. S. of America

PARTS LIST AND DESCRIPTIONS

TUBES (GENERAL ELECTRIC, SYLVANIA)

ITEM No.	USE	TYPE	NOTES
V1	Mic Preamplifier	6SJ7	
V2	AF Amp. -Phase Inv.	6SC7	
V3	Output	6V6GT	

ITEM No.	USE	TYPE	NOTES
V4	Output	6V6GT	
V5	Rectifier	5Y3GT	

ELECTROLYTIC CAPACITORS

ITEM No.	RATING		REPLACEMENT DATA						
	CAP.	VOLT.	KNIGHT PART No.	AEROVOX PART No.	CORNELL DUBLIER PART No.	MALLORY PART No.	PYRAMID PART No.	SANGAMO PART No.	SPRAGUE PART No.
C1A	+.40	450		AFH3-41	CO320	FP396.2	TMT-36	Q-055	TVL-3783
B	.40	450							
C	.10	450							
C2	8	450		PRS450V8	BR845	TC71	TD-8-450	FM-4508	TVA-1704
C3	35	50		PRS160V40	BR505	TC39	TD-50-50	FM-0550	TVA-1308

FIXED CAPACITORS

Capacity values given in the rating column are in mfd. for Paper Capacitors, and in mmfd. for Mica and Ceramic Capacitors.

ITEM No.	RATING		REPLACEMENT DATA						NOTES
	CAP.	VOLT.	KNIGHT PART No.	AEROVOX PART No.	CENTRALAB PART No.	CORNELL-DUBLIER PART No.	ERIE PART No.	MALLORY PART No.	
C4	.047	600		BPD-05	DF-503	CUB8547		GEM-8147	6TM-547
C5	.047	600		BPD-05	DF-503	CUB8647		GEM-8147	6TM-547
C6	.047	600		BPD-05	DF-503	CUB8647		GEM-8147	6TM-547
C7	.220	600		1468-00022	D8-222	5W5T22	DP-220	UC-5322	1FM-522
C8	.0022	600		BPD-0022	D8-222	CUB8022	DP-0022	GEM-8222	6TM-322
C9	.047	600		BPD-05	DF-503	CUB8647		GEM-8147	6TM-547
C10	.047	600		BPD-05	DF-503	CUB8647		GEM-8147	6TM-547
C11	.05	600		BPD-05	DF-503	CUB865		GEM-815	6TM-55
C12	.047	600		BPD-05	DF-503	CUB8647		GEM-8147	6TM-547

CONTROLS

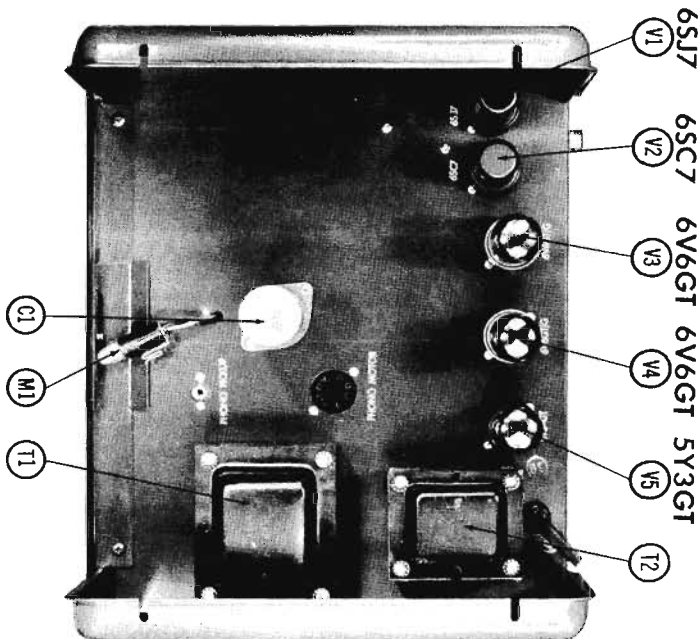
ITEM No.	RATING		REPLACEMENT DATA				INSTALLATION NOTES	
	RESISTANCE	WATTS	KNIGHT PART No.	CENTRALAB PART No.	CLAROSTAT PART No.	IRC PART No.		MALLORY PART No.
R1A	500K	1		AB-59	A47-500K-S	Q1-133	U50	Phono
B	500K	1		AK-4	K28-3	Not Req.	U8-25	
C	Switch			KB-1	SWE-12	78-1		
R2A	500K	1		AB-60	A47-500K-Z	Q3-133	U48	Mic.
B	500K	1		AK-4	K28-3	Not Req.	Not Req.	
R3A	500K	1		AB-60	A47-500K-Z	Q3-133	U48	Tone
B	500K	1		AK-4	K28-3	Not Req.	Not Req.	

RESISTORS

All wattages 1/2 watt, or less, unless otherwise listed.

ITEM No.	RATING		REPLACEMENT DATA		NOTES	ITEM No.	RATING		REPLACEMENT DATA		NOTES
	OHMS	WATT	KNIGHT PART No.	IRC PART No.			OHMS	WATT	KNIGHT PART No.	IRC PART No.	
R4	100K					R12	470K				
R5	10Meg					R13	1500Ω				
R6	470K					R14	10K				
R7	2.2Meg					R15	10K				
R8	470K					R16	470K				
R9	470K					R17	250Ω	10			
R10	10K					R18	3300Ω	1			
R11	470K										

CHASSIS—TOP VIEW



PARTS LIST AND DESCRIPTIONS (Continued)

TRANSFORMER (POWER)

ITEM No.	RATING				REPLACEMENT DATA					
	PRI.	SEC. 1	SEC. 2	SEC. 3	KNIGHT PART No.	Haldorson PART No.	Merit PART No.	Stancor PART No.	Thordorson PART No.	Triod PART No.
T1	130V AC tap ④ LTVAC ④ 8A	650VCT ④ .085A	5VAC ④ 3A	6.3VCT ④ 1.65A	L.P-0168				22R06 ①	

① This transformer does not provide a tap on primary winding for 130VAC input.

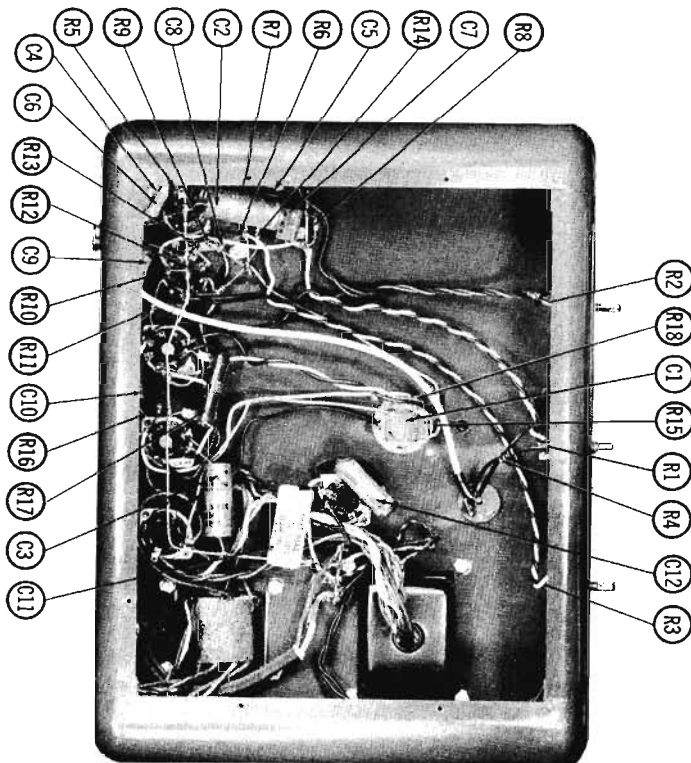
TRANSFORMER (AUDIO OUTPUT)

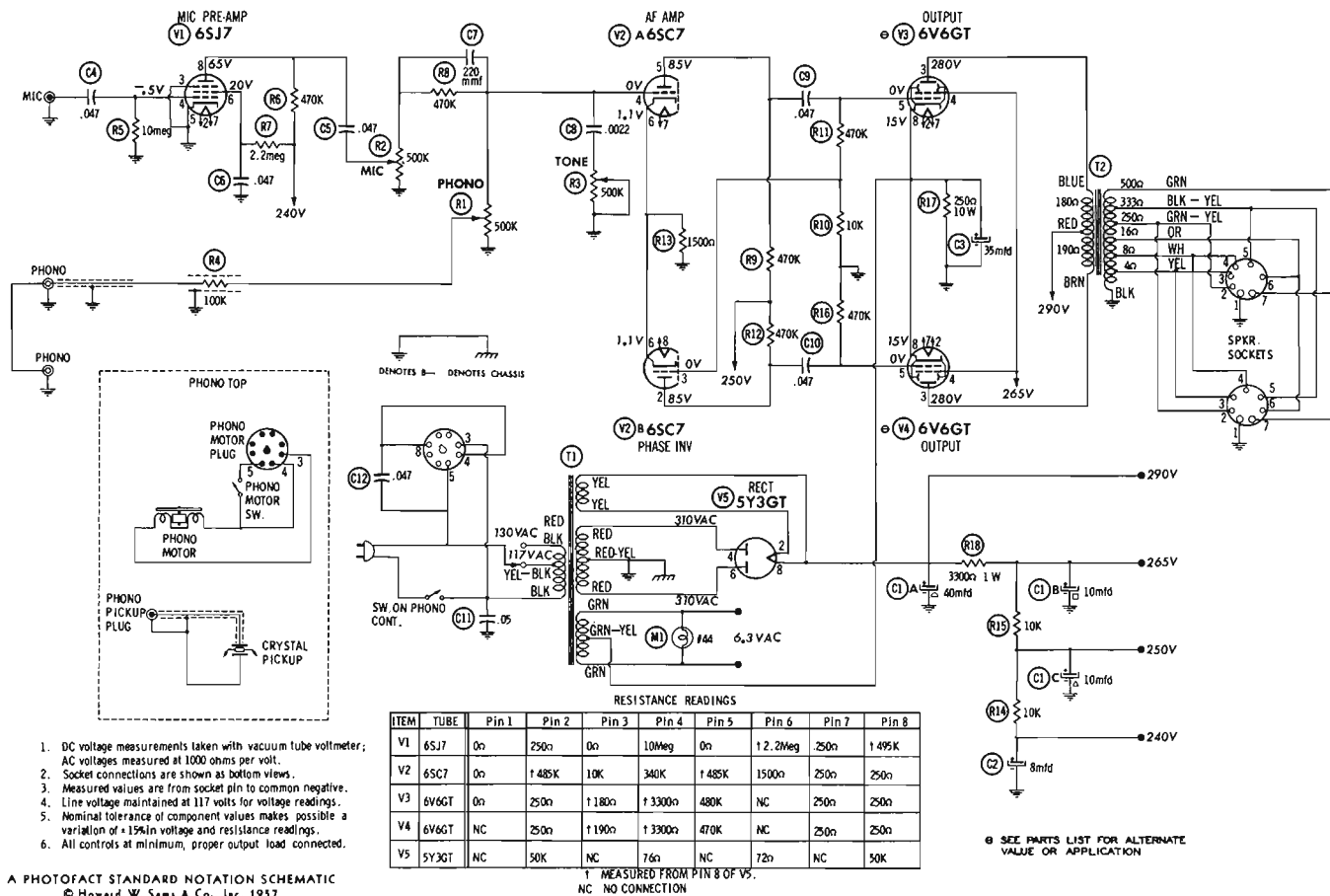
ITEM No.	IMPEDANCE		REPLACEMENT DATA						NOTES
	PRI.	SEC.	KNIGHT PART No.	Haldorson PART No.	Merit PART No.	Stancor PART No.	Thordorson PART No.	Triod PART No.	
T2	10K CT	500Ω tap ④ 333Ω (70V), 250Ω, 16Ω, 8Ω 4I?	LO-0092-B						

MISCELLANEOUS

ITEM No.	PART NAME	KNIGHT PART No.	NOTES
M1	Pilot Light		#44

CHASSIS—BOTTOM VIEW





PHOTOFACT* Folder



**KNIGHT
MODEL 93SZ682**



**KNIGHT
MODEL 93SZ682**

TRADE NAME	Knight Model 93SZ682	
SUPPLIER	Allied Radio Corp., 100 N. Western Ave., Chicago 80, Illinois	
TYPE SET	AC Operated 5 Channel 30 Watt Audio Amplifier	
TUBES (Six)	Types 6SC7 Preamplifier, 6SC7 Mixer, 6SC7 AF Amp. - Phase Inv., (2) 6L6G Output, 5U4G Rectifier	
POWER SUPPLY	105-130 Volts AC-50/60 Cycles	RATING 1.18 Amp. @ 117 Volts AC (125 Watts)

HOWARD W. SAMS & CO., INC. • Indianapolis 5, Indiana

"The listing of any available replacement part herein does not constitute in any case a recommendation, warranty or guaranty by Howard W. Sams & Co., Inc., as to the quality and suitability of such replacement part. The numbers of these parts have been compiled from information furnished to Howard W. Sams & Co., Inc., by the manufacturers of the particular type of replacement part listed."
"Reproduction or use, without express permission, of editorial or pictorial con-
G792

tent, in any manner, is prohibited. No patent liability is assumed with respect to the use of the information contained herein. Copyright 1957 by Howard W. Sams & Co., Inc., Indianapolis 5, Indiana, U. S. of America. Copyright under international Copyright Union. All rights reserved under Inter-American Copyright Union (1910) by Howard W. Sams & Co., Inc." Printed in U. S. of America

PARTS LIST AND DESCRIPTIONS

CHASSIS—TOP VIEW

TUBES (GENERAL ELECTRIC, SYLVANIA)

ITEM No.	USE	TYPE	NOTES
V1	MIC 1 Preamplifier —		
V2	MIC 2 — Mag Preamplifier	6SC7	
V3	Mixer	6SC7	
V4	AF Amp. — Phase Inv.	6SC7	

ITEM No.	USE	TYPE	NOTES
V4	Output	6L6G	
V5	Output	6L6G	
V6	Rectifier	5U4G	

ELECTROLYTIC CAPACITORS

ITEM No.	RATING		REPLACEMENT DATA						
	CAP.	VOLT.	KNIGHT PART No.	AEROVOX PART No.	CORNELL-DUBILIER PART No.	MALLORY PART No.	PYRAMID PART No.	SANGAMO PART No.	SPRAGUE PART No.
C1A	.40	450		AFB3-4L	C0320	FP390-2	TMT-35	Q-055	TVL-3783
B	.10	450							
C	.10	480							
C2	8	450		PR8450V8	BR845	TC7L	TD-8-450	FM-4508	TVA-1704
C3	35	50		PR8150V40	BR805	TC30	TD-50-50	FM-0650	TVA-1908

FIXED CAPACITORS

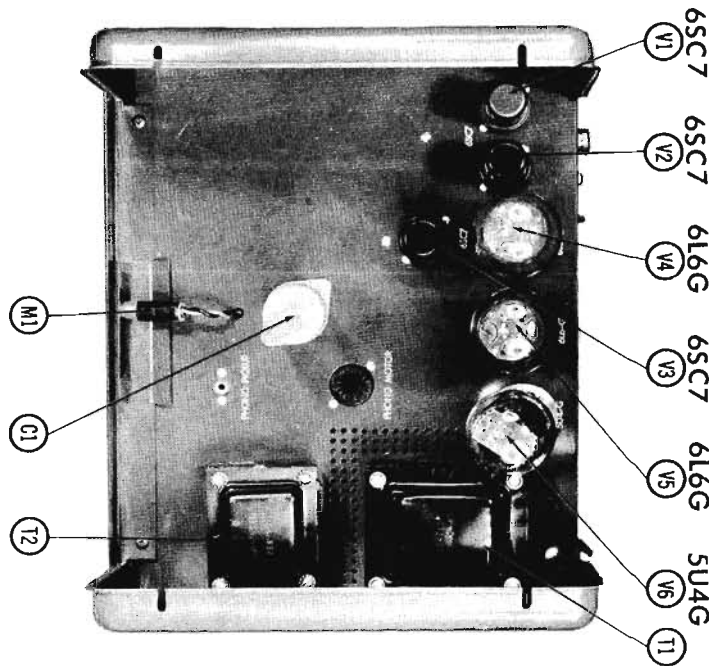
Capacity values given in the rating column are in mfd. for Paper Capacitors, and in mmfd. for Mica and Ceramic Capacitors.

ITEM No.	RATING		REPLACEMENT DATA							NOTES
	CAP.	VOLT.	KNIGHT PART No.	AEROVOX PART No.	CENTRALAB PART No.	CORNELL-DUBILIER PART No.	ERIE PART No.	MALLORY PART No.	SPRAGUE PART No.	
C4	.047	800		BPD-05	DF-503	CUB8547		GEM-6147	8TM-847	Note #1
C5	.047	800		BPD-05	DF-503	CUB8547		GEM-6147	8TM-847	
C6	.047	600		BPD-0047	DD-472	K070	ED-0047	UC-5247	5BK-D47	
C7	4700			BPD-01	DD-103	CUB861	ED-01	GEM-611	8TM-81	
C8	.01	800		BPD-05	DD-503	CUB8547		GEM-6147	8TM-847	
C9	.047	500		BPD-05	DD-503	CUB8547		GEM-6147	8TM-847	
C10	.047	500		BPD-05	DD-503	CUB8547		GEM-6147	8TM-847	
C11	.39			1469-000039		8R5Q39			MS-439	
C12	.0033	800		BPD-0033	D8-332	CUB8D33	ED-0033	GEM-6233	8TM-D33	
C13	.250			1466-00023		2R5T23			MS-322	
C14	.047	600		BPD-05	DF-503	CUB8547		GEM-6147	8TM-847	
C15	.047	600		BPD-05	DF-503	CUB8547		GEM-6147	8TM-847	
C16	.05	800		BPD-05	DF-503	CUB885		GEM-615	8TM-85	
C17	.047	800		BPD-05	DF-503	CUB8547		GEM-6147	8TM-847	

Note #1. Some Versions Use 330MMF In This Application.

CONTROLS

ITEM No.	RATING		REPLACEMENT DATA					INSTALLATION NOTES
	RESISTANCE	WATTS	KNIGHT PART No.	CENTRALAB PART No.	CLAROSTAT PART No.	IRC PART No.	MALLORY PART No.	
R1A	500K	1		AB-59	A47-500K-S	Q1-133	U50	Phono
B	500K	1		AK-4	K58-3	Not Req.	Not Req.	
C	Switch			KB-1	5W6-12	76-1	US-26	
R2A	500K	1		AB-59	A47-500K-S	Q1-133	U50	MIC 2-Mag
B	500K	1		AK-4	K58-3	Not Req.	Not Req.	
C	Switch			KB-1	5W6-12	76-1	US-26	
R3A	500K	1		AB-80	A47-500K-Z	Q3-133	U48	MIC 1
B	500K	1		AK-4	K58-3	Not Req.	Not Req.	
R4A	500K	1		AB-50	A47-500K-Z	Q3-133	U48	Tone
B	500K	1		AK-4	K58-3	Not Req.	Not Req.	



PARTS LIST AND DESCRIPTIONS (Continued)

RESISTORS

All wattages 1/2 watt, or less, unless otherwise listed.

ITEM No.	RATING		REPLACEMENT DATA		NOTES	ITEM No.	RATING		REPLACEMENT DATA		NOTES
	OHMS	WATT	KNIGHT PART No.	IRC PART No.			OHMS	WATT	KNIGHT PART No.	IRC PART No.	
R6	220K		BTS-220K		R17	10K		BTS-10K			
R7	10Meg		BTS-10Meg		R18	470K		BTS-470K			
R8	100K		BTS-100K		R19	470K		BTS-470K			
R9	220K		BTS-220K		R20	1500Ω		BTS-1500			
R10	47K		BTS-47K		R21	10K		BTS-10K			
R11	100K		BTS-100K		R22	10K		BTS-10K			
R12	22K		BTS-22K		R23	470K		BTS-470K			
R13	180K		BTS-180K		R24	200Ω	10	PW10-200			
R14	1800Ω		BTS-1800		R25	7500Ω	10	PW10-7500			
R15	1.5Meg		BTS-1.5Meg								

TRANSFORMER (POWER)

ITEM No.	RATING				REPLACEMENT DATA					
	PRI.	SEC. 1	SEC. 2	SEC. 3	KNIGHT PART No.	Haldorson PART No.	Merit PART No.	Stancoor PART No.	Thordorson PART No.	Triad PART No.

① This Transformer Does Not Provide A Tap On Primary Winding For 130VAC Input.

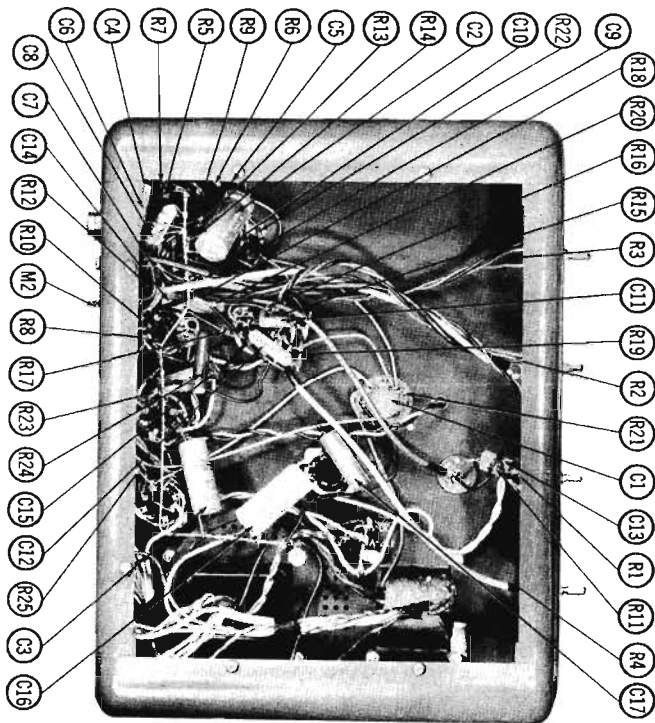
TRANSFORMER (AUDIO OUTPUT)

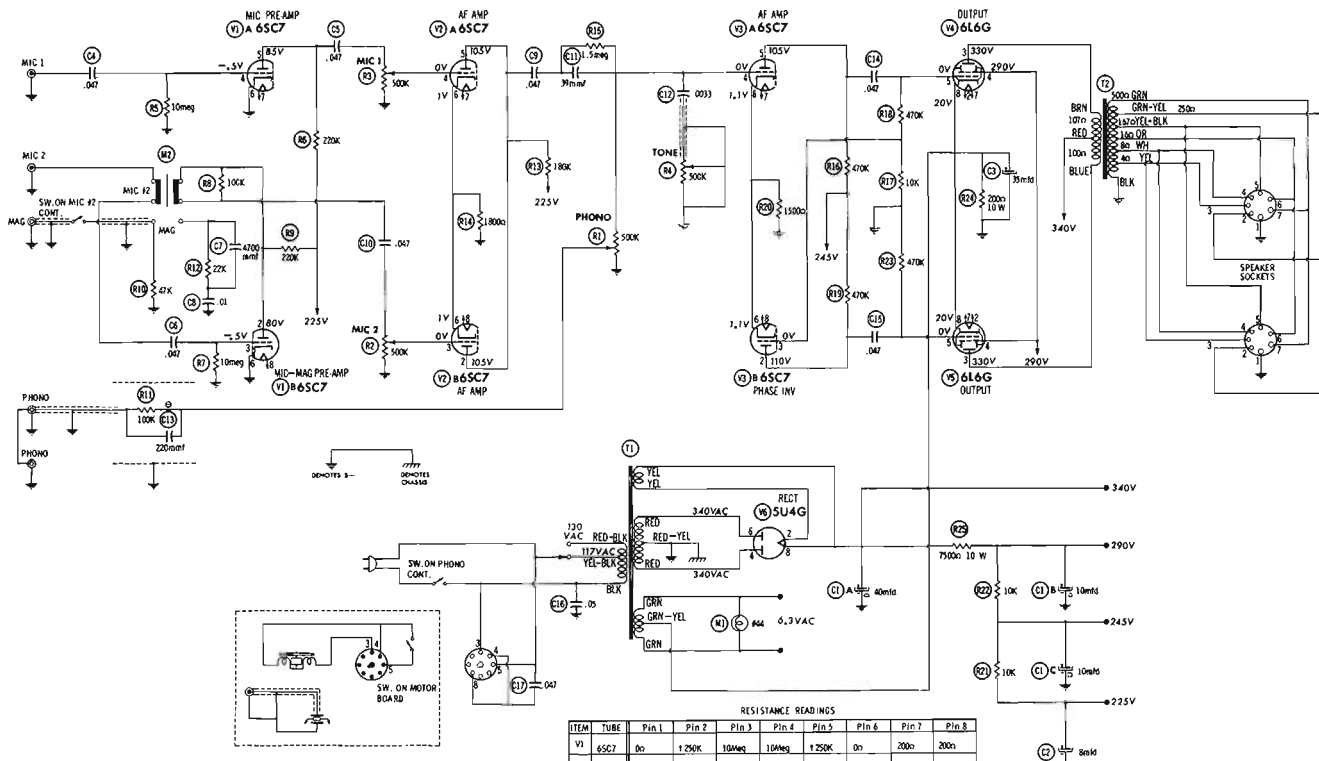
ITEM No.	IMPEDANCE	REPLACEMENT DATA							NOTES	
		PRI.	SEC.	KNIGHT PART No.	Haldorson PART No.	Merit PART No.	Stancoor PART No.	Thordorson PART No.		Triad PART No.

MISCELLANEOUS

ITEM No.	PART NAME	KNIGHT PART No.	NOTES
M1	Pilot Light		#44
M2	Switch		Mag. - MIC 2, Slide Type (D. P. D. T.)

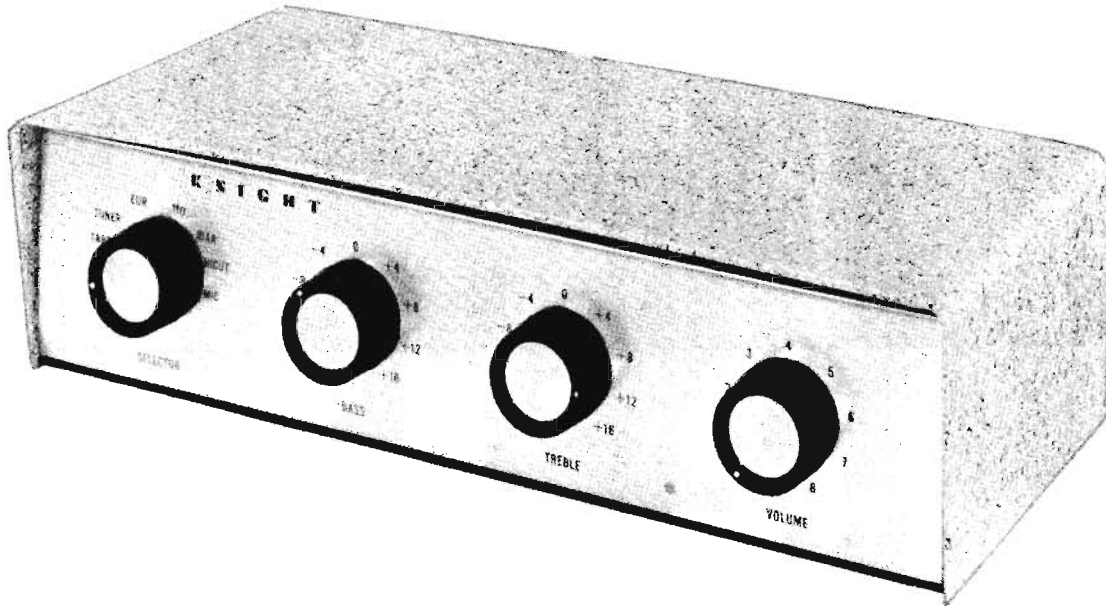
CHASSIS—BOTTOM VIEW





- DC voltage measurements taken with vacuum tube voltmeter; AC voltages measured at 1000 ohms per volt.
- Socket connections are shown as bottom views.
- Measured values are from socket pins to common negative.
- Line voltage maintained at 117 volts for voltage readings.
- Nominal tolerance of component values makes possible a variation of 15% in voltage and resistance readings.
- All controls at minimum; proper output load connected.

SEE PARTS LIST FOR ALTERNATE VALUE OR APPLICATION



**KNIGHT
 MODEL 94SX706**

TRADE NAME	Knight Model 94SX706	
SUPPLIER	Allied Radio Corp., 100 N. Western Ave., Chicago 80, Ill.	
TYPE SET	AC Operated Equalizer Preamplifier	
TUBES (Three)	Types 12AX7 Preamplifier, 12AX7 Cath. Follower - 1st AF Amp., 6C4 2nd AF Amplifier	
POWER SUPPLY	110-120 Volts AC-50/60 Cycles	RATING .15 Amp. @ 117 Volts AC (7 Watts)

HOWARD W. SAMS & CO., INC. • Indianapolis 5, Indiana

"The listing of any available replacement part herein does not constitute in any case a recommendation, warranty or guaranty by Howard W. Sams & Co., Inc., as to the quality and suitability of such replacement part. The numbers of these parts have been compiled from information furnished to Howard W. Sams & Co., Inc., by the manufacturers of the particular type of replacement part listed."
 "Reproduction or use, without express permission, of editorial or pictorial content, in any manner, is prohibited. No patent liability is assumed with respect to the use of the information contained herein. Copyright 1957 by Howard W. Sams & Co., Inc., Indianapolis 5, Indiana, U. S. of America. Copyright under international Copyright Union. All rights reserved under Inter-American Copyright Union (1910) by Howard W. Sams & Co., Inc." Printed in U. S. of America

G785

PARTS LIST AND DESCRIPTIONS

TUBES (GENERAL ELECTRIC, SYLVANIA)

ITEM No.	USE	TYPE	NOTES
V1	Phono - Mic Preamplifier	12AX7	
V2	Cathode Follower-1st AF Amplifier	12AX7	

ITEM No.	USE	TYPE	NOTES
V3	2nd AF Amplifier	6C4	

ELECTROLYTIC CAPACITORS

ITEM No.	RATING		REPLACEMENT DATA						
	CAP.	VOLT.	KNIGHT PART No.	AEROVOX PART No.	CORNELL DUBILIER PART No.	MALLOY PART No.	PYRAMID PART No.	SANGAMO PART No.	SPRAGUE PART No.
C1A	#30	150		AFB3-08	C0070	FP335 TC47	TMD-7	T-025	TVL-3535
B	#15	150					TD-16-150		
C	#15	150							
C2A	#10	150		AFB3-22	C0210	FP330.5	TMT-22	T-095	TVL-3432.8
B	#10	150							
C	#10	150							
C3	#35	50		FRS150V40	BR505	TC39	TD-50-50	FM-0550	TYA-1308

FIXED CAPACITORS

Capacity values given in the rating column are in mfd. for Paper Capacitors, and in mmfd. for Mica and Ceramic Capacitors.

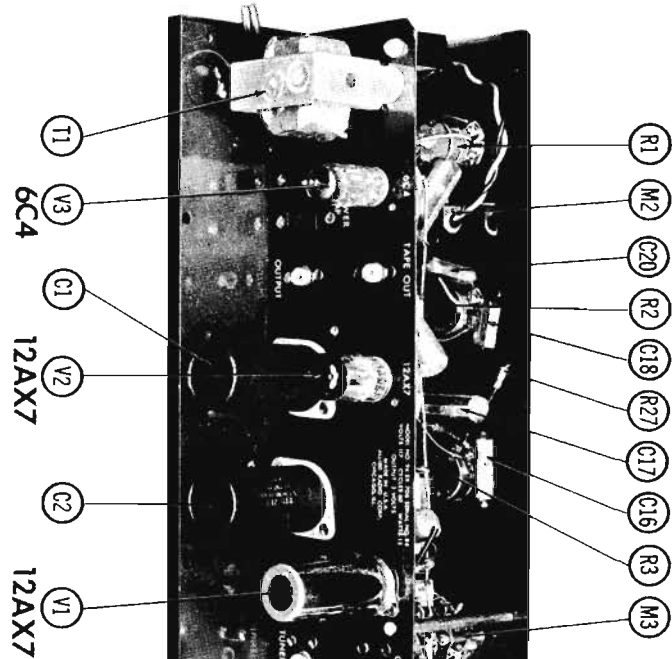
ITEM No.	RATING		REPLACEMENT DATA						NOTES	
	CAP.	VOLT.	KNIGHT PART No.	AEROVOX PART No.	CENTRALAB PART No.	CORNELL DUBILIER PART No.	ERIE PART No.	MALLOY PART No.		SPRAGUE PART No.
C4	.1	600		P888N-1	DF-104	CUB8P1		GEM-601	6TM-P1	Note 1
C5	.39	1000					GP-8800	GEM-8268	6TM-D68	
C6	.0088	600		BPD-0088	D6-222	CUB6D68	ED-0022	UC-5222	5GA-D22	
C7	2250			BPD-0023	D6-222	ED75	ED-0022	UC-5222	5GA-D22	
C8	1000			BPD-001	DD-102	KD69	ED-001	DC-521	5HK-S1	
C9	580			81590	DD-581	G063	ED-580	UC-5355	5GA-T58	
C10	4700			BPD-0047	DD-472	X079	ED-0047	UC-5247	8HK-D47	
C11	270			BPD-00077	DD-271	G054	ED-270	UC-5277	5GA-T27	
C12	.01	600		BPD-01	DD-103	CUB8S1	ED-01	GEM-611	6TM-S1	
C13	.022	200		BPD-02	DD-203	CUB4S22	ED-02	GEM-4122	4TM-S22	
C14	.022	200		BPD-02	DD-203	CUB4S22	ED-02	GEM-4122	4TM-S22	
C15	.1	600		P888N-1	DF-104	CUB8P1		GEM-601	6TM-P1	
C16	.0056	600					ED-15	UC-5415	1FM-415	
C17	.058	600					ED-330	UC-5333	5GA-T33	
C18	.15	600		1488-000015	DD-150		ED-330	UC-5333	5GA-T33	
C19	#30			BPD-00035	DD-331	G056	ED-0033	GEM-8233	6TM-D33	
C20	.0033	600		BPD-0033	D6-332	CUB6D33		GEM-601	6TM-P1	
C21	.1	600		P888N-1	DF-104	CUB8P1		GEM-601	6TM-P1	
C22	.1	600		P888N-1	DF-104	CUB8P1		GEM-601	6TM-P1	
C23	.1	600		P888N-1	DF-104	CUB8P1		GEM-601	6TM-P1	
C24	.02	600		BPD-02	DD-203	CUB8S2	ED-02	GEM-612	6TM-S2	

Note #1. Not used in some versions.

CONTROLS

ITEM No.	RATING		REPLACEMENT DATA					INSTALLATION NOTES
	RESISTANCE	WATTS	KNIGHT PART No.	CENTRALAB PART No.	CLAROSTAT PART No.	IRC PART No.	MALLOY PART No.	
R1A	500K	1		AB-59	A47-500K-8	Q11-133	U50	Volume
B	Shaft			AK-4	K38-3		Not Req.	
C	Switch			KB-1	8WE-12	78-1	Not Req.	
R2A	500K	1		AB-80	A47-500K-2	Q3-133	U48	Treble
B	Shaft			AK-4	K38-3		Not Req.	
R3A	500K	1		AB-80	A47-500K-2	Q3-133	U48	Bass
B	Shaft			AK-4	K38-3		Not Req.	
R4A	500K	1		AB-80	A47-500K-2	Q3-133	U48	Tuner Level
B	Shaft			AK-4	K38-3		Not Req.	

CHASSIS—TOP VIEW



PARTS LIST AND DESCRIPTIONS (Continued)

RESISTORS

All wattages 1/2 watt, or less, unless otherwise listed.

ITEM No.	RATING		REPLACEMENT DATA		NOTES	ITEM No.	RATING		REPLACEMENT DATA		NOTES
	OHMS	WATT	KNIGHT PART No.	IRC PART No.			OHMS	WATT	KNIGHT PART No.	IRC PART No.	
R5	27K			BTS-27K		R21	3.3Meg		BTS-3.3Meg		
R6	22K			BTS-22K		R22	4700Ω		BTS-4700		
R7	470K			BTS-470K		R23	22K		BTS-22K		
R8	68K			BTS-68K		R24	4700Ω		BTS-4700		
R9	68K			BTS-68K		R25	47K		BTS-47K		
R10	68K			BTS-68K		R26	4700Ω		BTS-4700		
R11	68K			BTS-68K		R27	47K		BTS-47K		
R12	100K			BTS-100K		R28	68K		BTS-68K		
R13	150K			BTS-150K		R29	3000Ω 5%		BTS-3000 5%		
R14	100K			BTS-100K		R30	22K		BTS-22K		
R15	220K 1%			DCC-220K 1%		R31	3300Ω		BTS-3300Ω		
R16	4700Ω 5%			BTS-4700 5%		R32	4700Ω		BTS-4700		
R17	4700Ω			BTS-4700		R33	4700Ω		BTS-4700		
R18	470K			BTS-470K		R34	4700Ω		BTS-4700		
R19	47K 5%			BTS-47K 5%		R35	2200Ω		BTS-2200		
R20	1500Ω 5%			BTS-1500 5%		R36	4.7Ω		BW 3-4.7		

TRANSFORMER (POWER)

ITEM No.	RATING				REPLACEMENT DATA					
	PR.	SEC. 1	SEC. 2	SEC. 3	KNIGHT PART No.	Hollandson PART No.	Merit PART No.	Stancor PART No.	Thordarson PART No.	Triod PART No.
T1	117VAC ① .16A	120VAC ① .002A	6.3VCT ① .72A		LP-0243		P-3048 ①		26R32 ①	

① Drill New Mfg. Hole.

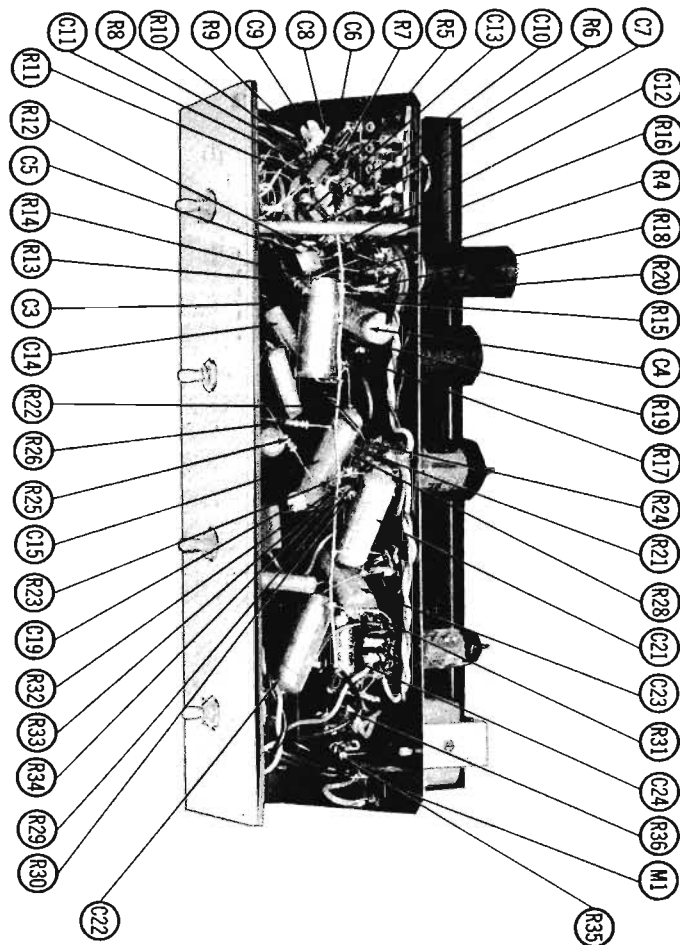
SELENIUM RECTIFIER

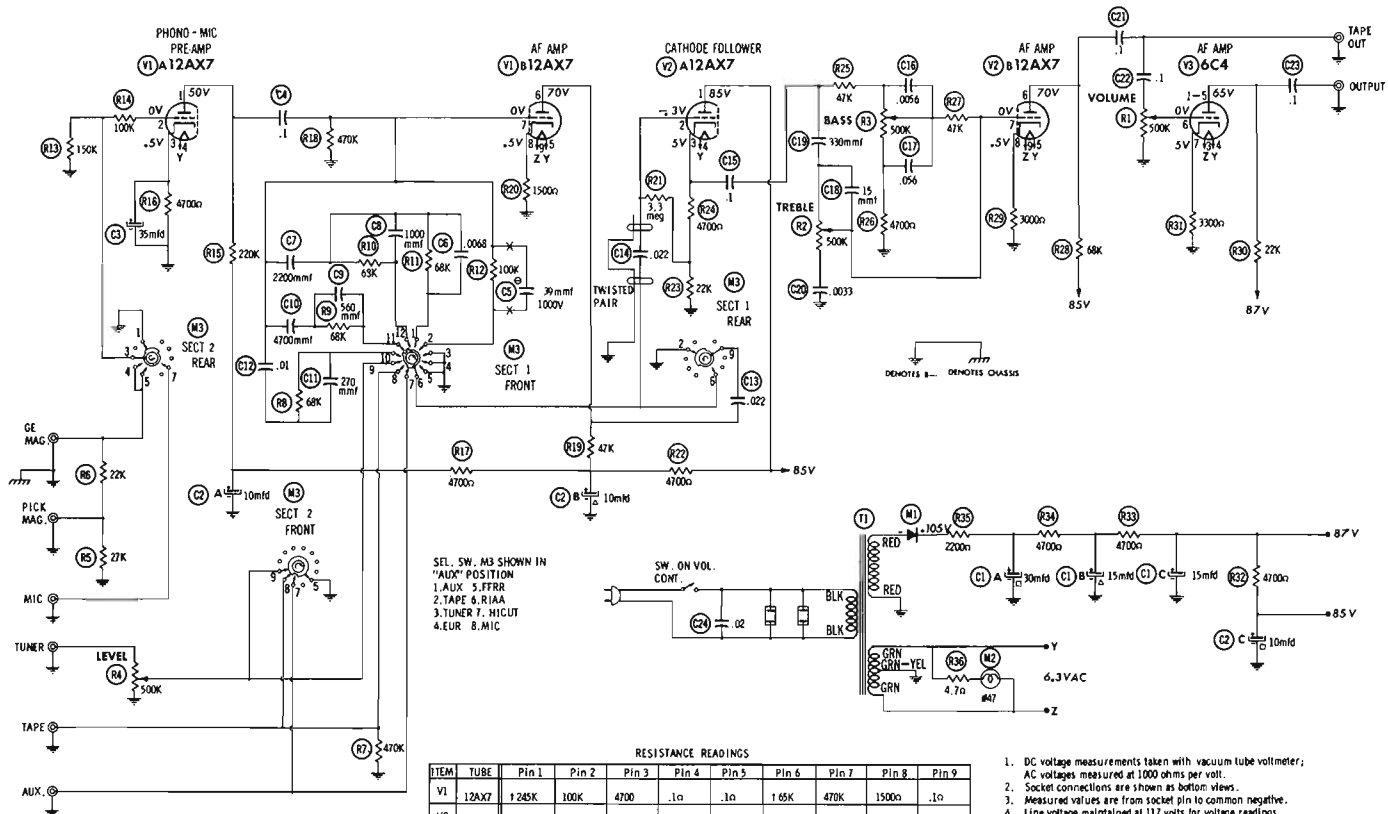
ITEM No.	RATING		REPLACEMENT DATA					NOTES
	CURRENT	KNIGHT PART No.	FEDERAL PART No.	INTERNATIONAL PART No.	MALLOY PART No.	RADIO RECEPTOR PART No.	SARKES TARZIAN PART No.	
M1	.002A	JR-0022	1386	RB-050	8820	BY1	50	

MISCELLANEOUS

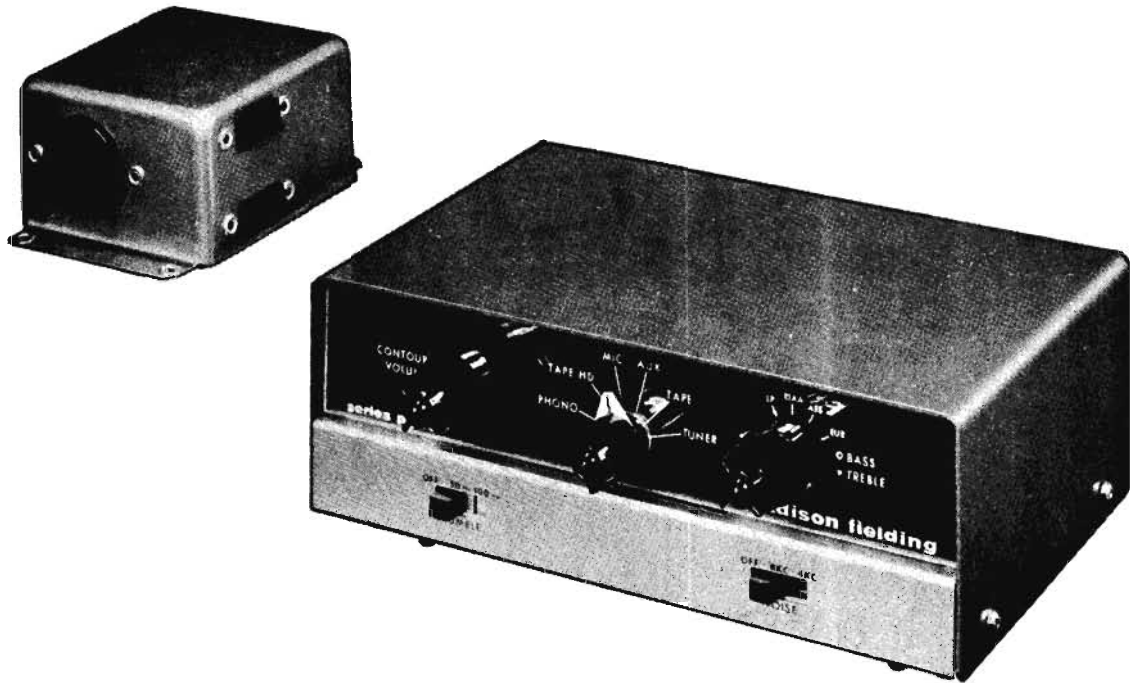
ITEM No.	PART NAME	KNIGHT PART No.	NOTES
M2	Dial Lamp		#47
M3	Switch		Function Selector, 2 Gang, Wafer Type

CHASSIS—BOTTOM VIEW





- DC voltage measurements taken with vacuum tube voltmeter; AC voltages measured at 1000 ohms per volt.
- Socket connections are shown as bottom views.
- Measured values are from socket pin to common negative.
- Line voltage maintained at 117 volts for voltage readings.
- Nominal tolerance of component values makes possible a variation of ±1% in voltage and resistance readings.
- All controls at minimum, proper output load connected.



**MADISON FIELDING
 MODEL PR-45 "Transamp"**

TRADE NAME	Madison Fielding Model PR-45 "Transamp"		
MANUFACTURER	Madison Fielding Corp., 863 Madison St., Brooklyn 21, N. Y.		
TYPE SET	AC Operated 6 Channel Preamplifier With Transistorized Input		
TUBES (One)	Type 12AX7/ECC83 AF Amplifier		
POWER SUPPLY	105-125 Volts AC-50/60 Cycles	RATING	.10 Amp. @ 117 Volts AC (6 Watts)

HOWARD W. SAMS & CO., INC. • Indianapolis 5, Indiana

The listing of any available replacement part herein does not constitute in any case a recommendation, warranty or guaranty by Howard W. Sams & Co., Inc., as to the quality and suitability of such replacement part. The numbers of these parts have been compiled from information furnished to Howard W. Sams & Co., Inc., by the manufacturers of H277

the particular type of replacement part listed. Reproduction or use, without express permission, of editorial or pictorial content, in any manner, is prohibited. No patent liability is assumed with respect to the use of the information contained herein. © 1958 Howard W. Sams & Co., Inc., Indianapolis 5, Indiana. Printed in U.S. of America

PARTS LIST AND DESCRIPTIONS

TUBES (GENERAL ELECTRIC, SYLVANIA)

CHASSIS—TOP VIEW

ITEM No.	USE	TYPE	ITEM No.	USE	TYPE
V1	AF Amplifier	12AX7/ECC83			

TRANSISTORS

ITEM No.	ORIG. TYPE	USE	REPLACEMENT DATA			NOTES
			CBS PART No.	RAYTHEON PART No.	SYLVANIA PART No.	
X1	2N35	AF Amplifier	2N439		2N35	
X2	2N36	AF Amplifier	2N439		2N35	

ELECTROLYTIC CAPACITORS

ITEM No.	RATING		REPLACEMENT DATA							
	CAP.	VOLT.	Madison Fielding PART No.	AEROVOX PART No.	CORNELL-DUBILIER PART No.	MALLOY PART No.	PYRAMID PART No.	SANGAMO PART No.	SPRAGUE PART No.	NOTES
C1A	20	200	CS202010						R2472 *	
B	20	200								
C	20	150								
C2	2	15		PWE25002			ML2-15		R2473 *	
C3	2	15		PWE25002			ML2-16		R2474 *	
C4	150	2		PWE3200					R2475 *	
C5	150	15			BR2502				R2476 *	
C6	150	20		PR850V150	BR2502				R2477 *	
C7	2	25		PR860V2	BBR2-60	TC302	TD-2-25	MT-0502	TE-1055	
C8	25	3		SRE3V25	BBR25-3	TT3X25		MMT-325	TE-1055	
C9	25	3		SRE3V25	BBR25-3	TT3X25	ML25-3	MMT-325	TE-1055	

* Non Catalog Item

FIXED CAPACITORS

Capacity values given in the rating column are in mfd. for Paper Capacitors, and in mmfd. for Mica and Ceramic Capacitors.

ITEM No.	RATING		REPLACEMENT DATA								NOTES
	CAP.	VOLT.	Madison Fielding PART No.	AEROVOX PART No.	CENTRALAB PART No.	CORNELL-DUBILIER PART No.	ERIE PART No.	MALLOY PART No.	SPRAGUE PART No.		
C10	3500					IRSD36			MS-235	10%	
C11	8700									10%	
C12	3500					IRSD36			MS-235	10%	
C13	20000			BPD-02	DD-203	BYB862	ED-02		5BK-62		
C14	20000			BPD-02	DD-203	BYB862	ED-02		5BK-62		
C15	1	200		P288N-1	DF-104	CUB2P1		GEM-201	2TM-P1		
C16	2200			BPD-0022	DD-222	BYA10D22	ED-0022	UC-5222	5GA-D22		
C17	4700			BPD-0047	DD-472	BYA10D47	ED-0047	UC-5247	5GA-D47		
C18	0					C1079C				NPO	
C19	18			SI 18	DE-180	LT6Q18	OP-18	UC-5418	5GA-Q18		
C20	10000			BPD-01	DD-103	BYA8S1	ED-01	DC5U	5GA-81		
C21	10000			BPD-01	DD-103	BYA8S1	ED-01	DC5U	5GA-81		
C22	47			SI 47	D6-470	LT6Q47	OP47	UC-5447	5GA-Q47		
C23	22	200		P288N-22		CUB2P22		GEM-2022	2TM-P22		

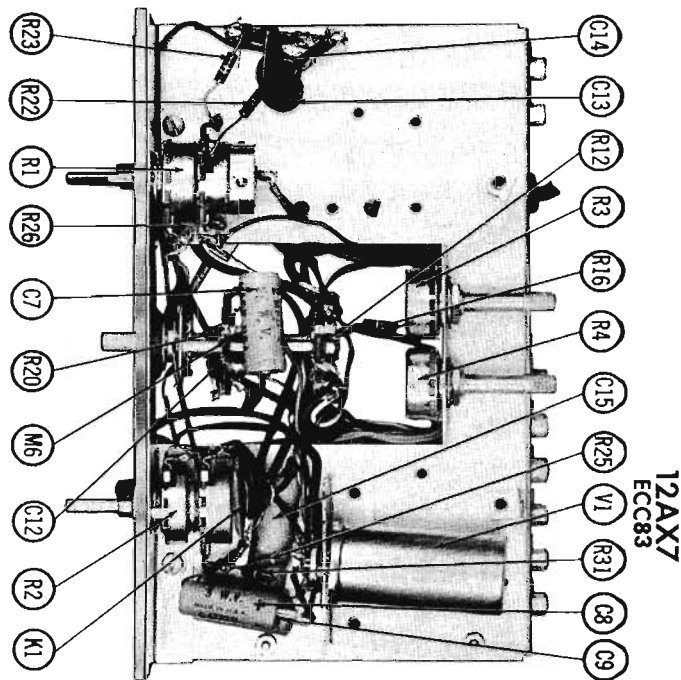
CONTROLS

ITEM No.	RATING		REPLACEMENT DATA						INSTALLATION NOTES
	RESISTANCE	WATTS	Madison Fielding PART No.	CENTRALAB PART No.	CLAROSTAT PART No.	IRC PART No.	MALLOY PART No.		
RIA	500K	1/2	RV10502					Volume Control, Tap @ 25K & 50K	
B	100K	1/2					UE3789		
C	Switch							Base	
R2A	1meg	1/2	RV1002	F1-52			UE3782	Trouble, Tap @ 250K	
B	500K	1/2		R4-42				Tuner Adjust	
R5A	470K	1/2	RV6043	B-59	A47-500K-S	Q11-133	U50	Phono & Low Level Adjust	
B	Shaft			Not Req.	K50-3	Not Req.	U29		
R4A	25K	1/2	RV2530	B-26	A47-25K-S	Q11-120	Not Req.		
B	Shaft			Not Req.	K50-3	Not Req.		Bum Adjust (Wirewound)	
R5	500Ω	2	RW5001						

* Concentric Equivalent; K-2 Kit, Base Elements and Shafts: B11-137, P1-200 (Panel)
B19-137X, R1-205 (Rear)

▲ STA-LOC Equivalent FB55A, OS500, RU15DT54, IS125, US-41

■ STA-LOC Equivalent FB16L, OS600, RU55T254, IS125



PARTS LIST AND DESCRIPTIONS (Continued)

RESISTORS

All wattages 1/2 watt, or less, unless otherwise listed.

ITEM No.	RATING		Madison Fielding PART No.	NOTES	ITEM No.	RATING		Madison Fielding PART No.	NOTES
	OHMS	WATT				OHMS	WATT		
R6	270K				R21	33K			
R7	150K				R22	10K			
R8	6800Ω				R23	10K			
R9	100K				R24	100K			
R10	120K				R25	2700Ω			
R11	590K				R26	470K			
R12	380K				R27	820K			
R13	18K				R28	220K			
R14	100K				R29	1.5meg			
R15	18K				R30	220K			
R16	100K				R31	1500Ω			
R17	18K				R32	150K			
R18	18K				R33	22K			
R19	22K				R34	10K			
R20	22K								

TRANSFORMER (POWER)

ITEM No.	RATING				REPLACEMENT DATA					
	PR1	SEC. 1	SEC. 2	SEC. 3	Madison Fielding PART No.	Hollidorn PART No.	Merit PART No.	Stencor PART No.	Thorndorson PART No.	Tried PART No.
T1	117V Ⓞ .100A	155V Ⓞ .002A	6.3V Ⓞ .300A		TP1003					

COMPONENT COMBINATIONS

ITEM No.	USE	DESCRIPTION	Madison Fielding PART No.	REPLACEMENT DATA
X1	Tone Comp	4700mmf, 4700mmf, 100mmf, 100K, 470K, 1000Ω		

RECTIFIERS

ITEM No.	RATING		REPLACEMENT DATA				NOTES
	CURRENT (Measured)	Madison Fielding PART No.	FEDERAL PART No.	INTERNATIONAL PART No.	SARKES TARZIAN PART No.		
M1	.0018A	SR1001		CR28			

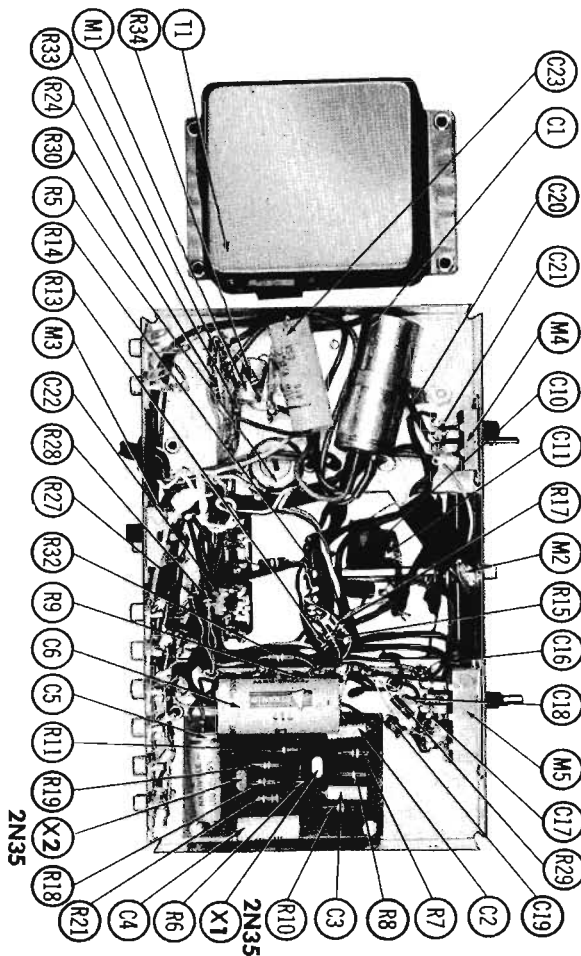
MISCELLANEOUS

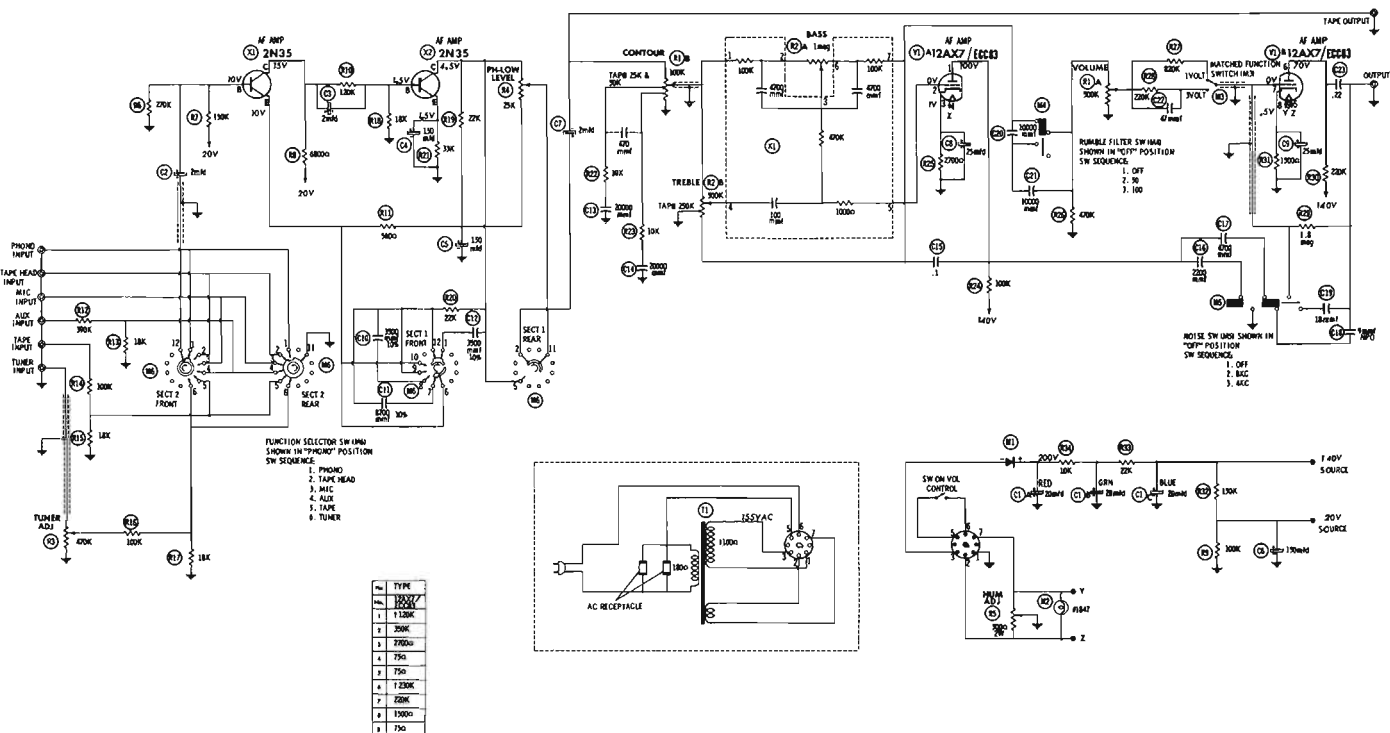
ITEM No.	PART NAME	Madison Fielding PART No.	NOTES
M2	Pilot Lamp		#1247
M3	Switch	SSI007	Matched Function (Slide Type SPDT)
M4	Switch	SSI002	Rumble Filter (Slide Type DPDT)
M5	Switch	SSI006	Noise Filter (Slide Type DPDT)
M6	Switch	SFI002	Selector (Rotary Wafer Type)

WIRING DATA

General-use Unshielded Hook-up Wire	Use BELDEN No. 8530 (Solid) Available in Ten Colors
Power Cord	Use BELDEN No. 1765-B (6 Ft. Length)
Low-Loss Shielded Lead (Interconnecting)	Use BELDEN No. 8401
Phono Pick-up Arm Cable	Use BELDEN No. 8430 (Two Conductor - Twisted)

CHASSIS—BOTTOM VIEW





ALL MEASUREMENTS TAKEN IN "PHONO" POSITION

† MEASURED FROM OUTPUT OF A1

TRANSISTOR CIRCUIT RESISTANCE NOT GIVEN BECAUSE OF THE WIDE VARIATION IN INTERNAL TRANSISTOR RESISTANCE



**NEWCOMB
 MODEL CO-1010**

TRADE NAME	Newcomb Model CO-1010	
MANUFACTURER	Newcomb Audio Products Co., 6824 Lexington Ave., Hollywood 38, Calif.	
TYPE SET	AC Operated 6 Channel 10 Watt Audio Amplifier	
TUBES (Five)	Types 12AX7 Preamp. - AF Amp. , 12AX7 AF Amp. - Phase Inv. (2) 6V6GT Output 6AX5GT Rectifier	
POWER SUPPLY	110-120 Volts AC-60 Cycles	RATING .55 Amp. @ 117 Volts AC (60 Watts)

HOWARD W. SAMS & CO., INC. • Indianapolis 5, Indiana

"The listing of any available replacement part herein does not constitute in any case a recommendation, warranty or guaranty by Howard W. Sams & Co., Inc., as to the quality and suitability of such replacement part. The numbers of these parts have been compiled from information furnished to Howard W. Sams & Co., Inc., by the manufacturers of the particular type of replacement part listed."
 "Reproduction or use, without express permission, of editorial or pictorial con-
 G882

tent, in any manner, is prohibited. No patent liability is assumed with respect to the use of the information contained herein. Copyright 1957 by Howard W. Sams & Co., Inc., Indianapolis 5, Indiana, U. S. of America. Copyright under international Copyright Union. All rights reserved under Inter-American Copyright Union (1910) by Howard W. Sams & Co., Inc." Printed in U. S. of America

PARTS LIST AND DESCRIPTIONS

TUBES (GENERAL ELECTRIC, SYLVANIA)

ITEM No.	USE	TYPE	NOTES	ITEM No.	USE	TYPE	NOTES
V1	Preamplifier-AF Amplifier	12AX7		V4	Output Rectifier	6V6GT	
V2	AF Amplifier-Phase Inv.	12AX7		V5		6AX5GT	
V3	Output	6V6GT					

ELECTROLYTIC CAPACITORS

ITEM No.	RATING		REPLACEMENT DATA						SPRAGUE PART No.	NOTES
	CAP.	VOLT.	NEWCOMB PART No.	AEROVOX PART No.	CORNELL-DUBILIER PART No.	MALLOY PART No.	PYRAMID PART No.	SANGAMO PART No.		
C1A	.40	475	CE-36							R2410*
B	.10	475								
C	.10	475								
C2	25	50	CE-1	PR8450V4	BR445	TC70	TD-1-450	FM-4504	TVA-1702	
D	.40	450								

*Non Catalog Item

FIXED CAPACITORS

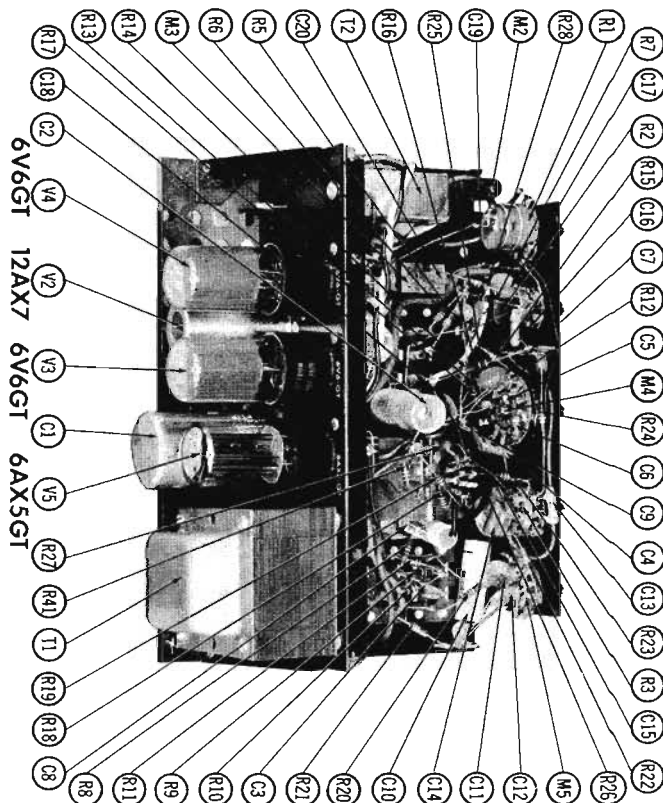
Capacity values given in the rating column are in mfd. for Paper Capacitors, and in mmfd. for Mica and Ceramic Capacitors.

ITEM No.	RATING		REPLACEMENT DATA								NOTES
	CAP.	VOLT.	NEWCOMB PART No.	AEROVOX PART No.	CENTRALLAB PART No.	CORNELL-DUBILIER PART No.	ERIE PART No.	MALLOY PART No.	SPRAGUE PART No.		
C3	20000		CM-35	BPD-02	DD-203	DYB652	ED-02		5HK-S2		
C4	350		CM-26	S1350	D6-351	LT8T35	GP-350	UC-535	SGA-T35		
C5	100		CM-14	S1100	D6-101	LT8T1	GP-100	UC-533	SGA-T1		
C6	300		CM-15	S1300	D6-301	LT8T3	GP-300	UC-533	SGA-T3		
C7	1600		CM-02	BPD-0015	DD-152	BYA10D15	ED-0015	UC-5215	5HK-D15		
C8	.022	600	CP-47	BPD-02	DD-203	CU86822	ED-02	GEM-6122	6TM-S22		
C9	10000		CM-32	BPD-01	DD-103	BYA6S1	ED-01	DCS11	5HK-S1		
C10	.1	600	CP-51	P668N-1	DF-104	CU86P1	ED-01	GEM-601	6TM-P1		
C11	20000		CM-35	BPD-02	DD-203	DYB652	ED-02		5HK-S2		
C12	20000		CM-35	BPD-02	DD-203	DYB652	ED-02		5HK-S2		
C13	470		CM-25	S1470	D6-471	LT8T47	GP-470	UC-5347	SGA-T47		
C14	1500		CM-27	S11500	D6-152	LT8D15	GP-1500	UC-5215	5HK-D15		
C15	20000		CM-35	BPD-02	DD-203	DYB652	ED-02		5HK-S2		
C16	470		CM-25	S1470	D6-471	LT8T47	GP-470	UC-5347	SGA-T47		
C17	10000		CM-32	BPD-01	DD-103	BYA6S1	ED-01	DCS11	5HK-S1		
C18	20000		CM-35	BPD-02	DD-203	DYB652	ED-02		5HK-S2		
C19	250		CM-22	BPD-00025	DD-251	LI0T25	ED-250	UC-5325	SGA-T25		
C20	10000		CM-32	BPD-01	DD-103	BYA6S1	ED-01	DCS11	5HK-S1		
C21	10000		CM-32	BPD-01	DD-103	BYA6S1	ED-01	DCS11	5HK-S1		
C22	20000		CM-35	BPD-02	DD-203	DYB652	ED-02		5HK-S2		
C23	20000		CM-35	BPD-02	DD-203	DYB652	ED-02		5HK-S2		
C24	20000		CM-35	BPD-02	DD-203	DYB652	ED-02		5HK-S2		
C25	100		CM-14	S1100	D6-101	LT8T1	GP-100	UC-531	SGA-T1		
C26	.02	800	CP-47-1	BPD-02	DD-203	CU86S22	ED-02	GEM-6122	6TM-S2		

CONTROLS

ITEM No.	RATING		REPLACEMENT DATA				INSTALLATION NOTES	
	RESISTANCE	WATTS	NEWCOMB PART No.	CENTRALLAB PART No.	CLAROSTAT PART No.	IRC PART No.		MALLOY PART No.
R1A	250K	1	RV-87-K	BT-53	A47F1-250K	Q13-130X		Loudness, Tap @ 100K
B	Shaft			Not Req.	KSS-3	Not Req.		
C	Switch			KB-1	SWE-12	78-1		
R2A	2Meg	1	RV-59-K		A47F3-2Meg	Q18-139X	UT-451	Treble, Tap @ 1.2Meg
B	Shaft				KSS-3	Not Req.		
R3A	5Meg	1	RV-57-K					Base
B	5Meg							Base
R4	100K	2	RV-75					Bum Balance (Wire Wound)

CHASSIS—TOP VIEW



PARTS LIST AND DESCRIPTIONS (Continued)

RESISTORS

All wattages 1/2 watt, or less, unless otherwise listed.

ITEM No.	RATING		REPLACEMENT DATA		NOTES	ITEM No.	RATING		REPLACEMENT DATA		NOTES
			NEWCOMB PART No.	IRC PART No.					NEWCOMB PART No.	IRC PART No.	
	OHMS	WATT									
R5	560K		RR-34	BTS-560K		R25	470K	RR-33	BTS-470K		
R6	560K		RR-34	BTS-560K		R26	18Meg	RR-140	BTS-18Meg		
R7	100K		RR-27	BTS-100K		R27	270K	RR-31	BTS-270K		
R8	58K		RR-25	BTS-56K		R28	10K	RR-18	BTS-10K		
R9	68K		RR-26	BTS-68K		R29	56K	RR-25	BTS-56K		
R10	100K		RR-27	BTS-100K		R30	18Meg	RR-140	BTS-18Meg		
R11	22K		RR-21	BTS-22K		R31	270K	RR-31	BTS-270K		Note 1
R12	330K		RR-32	BTS-330K		R32	100K	RR-1	BTS-100K		
R13	1.5Meg		RR-39	BTS-1.5Meg		R33	560K	RR-34	BTS-560K		
R14	270K		RR-31	BTS-270K		R34	100K 5%	RR-50	BTS-100K 5%		
R15	560K		RR-34	BTS-560K		R35	10K	RR-18	BTS-10K		
R16	470K		RR-33	BTS-470K		R36	100K 5%	RR-50	BTS-100K 5%		
R17	820K		RR-36	BTS-820K		R37	560K	RR-34	BTS-560K		
R18	18Meg		RR-140	BTS-18Meg		R38	560K	RR-34	BTS-560K		
R19	270K		RR-31	BTS-270K		R39	1200Ω	RR-146	BTS-1200		
R20	560K		RR-34	BTS-560K		R40	3000 5%	RR-130	BTS-300 5%		
R21	560K		RR-34	BTS-560K		R41	56K	RR-25	BTS-56K		
R22	82K		RR-133	BTS-82K		R42	27K	RR-22	BTS-27K		
R23	560K		RR-34	BTS-560K		R43	3900Ω	RR-13	BTS-3900Ω		
R24	560K		RR-34	BTS-560K		R44	6.8Ω 5%	RR-149			

Note 1. Some Versatone May Use 560K In This Application (Part RRR-34).

TRANSFORMER (POWER)

ITEM No.	RATING				REPLACEMENT DATA						
					NEWCOMB PART No.	Holderson PART No.	Merit PART No.	Stancor PART No.	Thorndorson PART No.	Tried PART No.	
	PR1.	SEC. 1	SEC. 2	SEC. 3							
T1	117VAC	650VCT	0.3VAC		TR-175			P-2951 ⊕		22R02 ⊕	

⊕ Tape 5V Winding & Center Tap On 8.3V Winding.

TRANSFORMER (AUDIO OUTPUT)

ITEM No.	IMPEDANCE		REPLACEMENT DATA						NOTES	
			NEWCOMB PART No.	Holderson PART No.	Merit PART No.	Stancor PART No.	Thorndorson PART No.	Tried PART No.		
	PR1.	SEC.								
T2	800Ω	16Ω Tap ⊕	TR-185	Z1404						

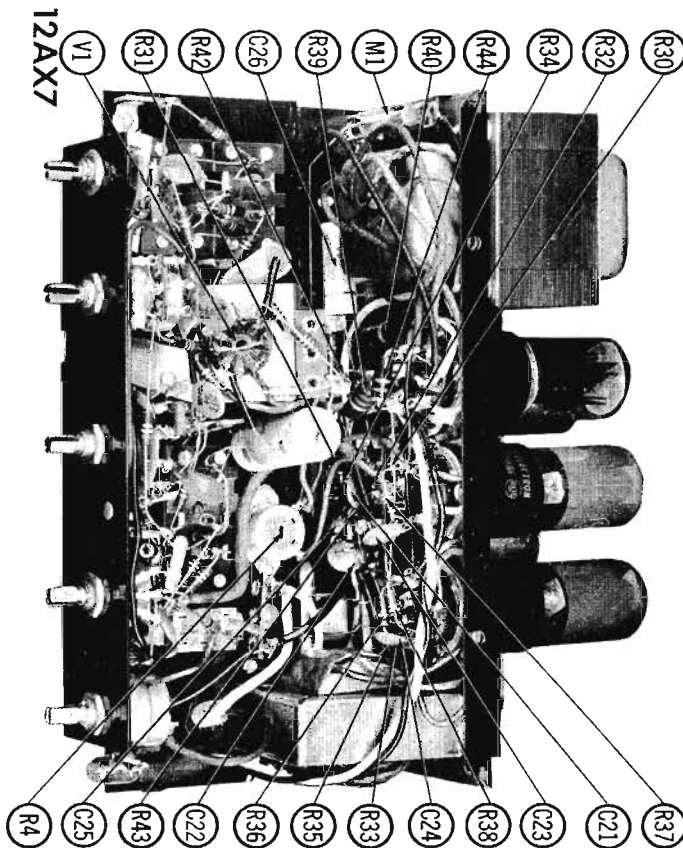
FUSES

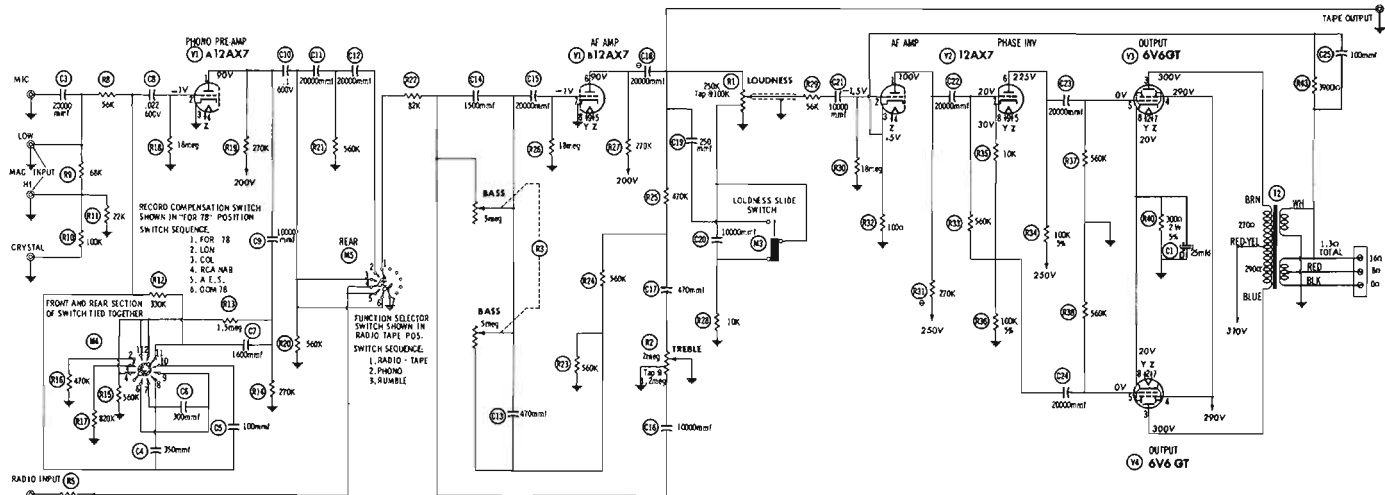
ITEM No.	TYPE	RATING	REPLACEMENT DATA						
			NEWCOMB PART No.		LITEL FUSE PART No.		BUSS PART No.		
			FUSE	HOLDER	FUSE	HOLDER	FUSE	HOLDER	
M1	JAG	1A 250V S/B	FA-18		313001. (JAG1A) S/B	357001		MDL1	4405

MISCELLANEOUS

ITEM No.	PART NAME	NEWCOMB PART No.	NOTES
M2	Pilot Light		#47
M3	Switch	SY-5	Loudness, Slide Type (SPDT)
M4	Switch	SY-88	Record Compensation, Rotary, Water Type
M5	Switch	SY-90	Function Selector, Rotary Water Type

CHASSIS—BOTTOM VIEW



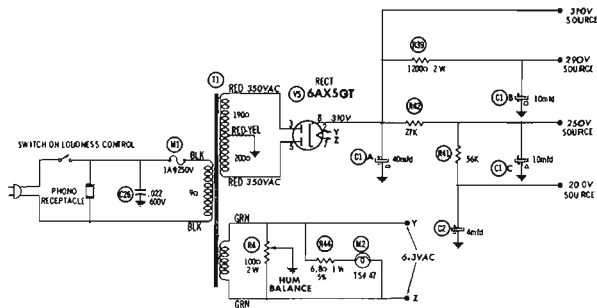


RESISTANCE READINGS

ITEM	TUBE	Pin 1	Pin 2	Pin 3	Pin 4	Pin 5	Pin 6	Pin 7	Pin 8	Pin 9		
V1	12AX7	1	325K	18Meg	0Ω	14Ω	14Ω	1	325K	18Meg	0Ω	14Ω
V2	12AX7	1	300K	18Meg	100Ω	14Ω	14Ω	1	130K	600K	110K	14Ω
V3	6V6GT	1P	14Ω	1	22Ω	1	1,200Ω	560K	MC	14Ω	300Ω	
V4	6V6GT	1P	14Ω	1	290Ω	1	1,200Ω	560K	TP	14Ω	300Ω	
V5	6AX5GT	1P	14Ω	1	190Ω	TP	200Ω	TP	14Ω	20K (OHMS)		

1. MEASURED FROM PIN 8 OF V5.
 2. NO CONNECTION.
 3. TP

- DC voltage measurements taken with vacuum tube voltmeter; AC voltages measured at 1000 ohms per volt.
- Socket connections are shown as bottom views.
- Measured values are from solder pin to common negative.
- Line voltage maintained at 117 volts for voltage readings.
- Nominal tolerance of component values makes possible a variation of ±15% in voltage and resistance readings.
- All controls at minimum, proper output load connected.





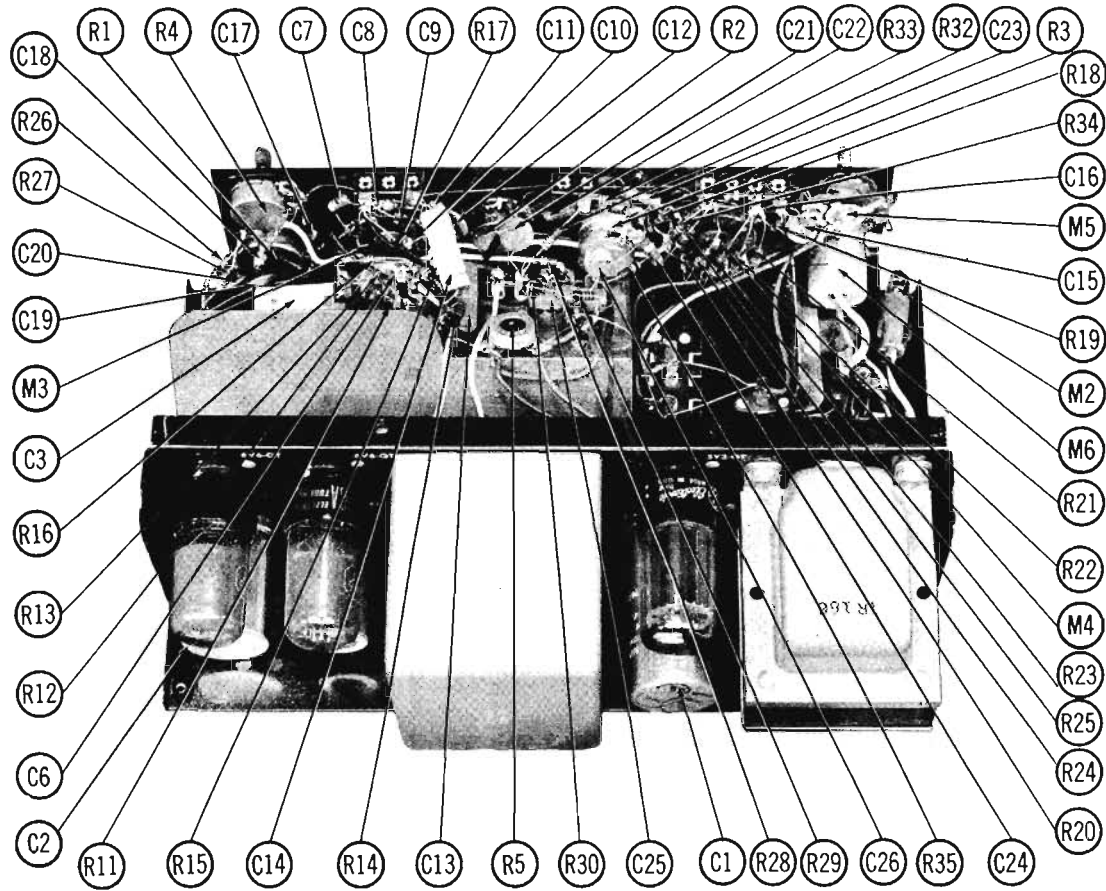
**NEWCOMB
MODEL CO-1012**

TRADE NAME	Newcomb Model CO-1012	
MANUFACTURER	Newcomb Audio Products Co., 6824 Lexington Ave., Hollywood 38, California	
TYPE SET	AC Operated 7 Channel 12 Watt Audio Amplifier	
TUBES (Six)	Types 12AX7 Mic-Phono Preamplifier, 6AV6 AF Amplifier, 12AX7 AF Amp. -Phase Inv. (2) 6V6GT Output, 5Y3GT Rectifier	
POWER SUPPLY	110-120 Volts AC-60 Cycles	RATING .64 Amp. @ 117 Volts AC (68 Watts)

HOWARD W. SAMS & CO., INC. • Indianapolis 5, Indiana

"The listing of any available replacement part herein does not constitute in any case a recommendation, warranty or guaranty by Howard W. Sams & Co., Inc., as to the quality and suitability of such replacement part. The numbers of these parts have been compiled from information furnished to Howard W. Sams & Co., Inc., by the manufacturers of the particular type of replacement part listed."
"Reproduction or use, without express permission, of editorial or pictorial con-
G981"

tent, in any manner, is prohibited. No patent liability is assumed with respect to the use of the information contained herein. Copyright 1957 by Howard W. Sams & Co., Inc., Indianapolis 5, Indiana, U. S. of America. Copyright under international Copyright Union. All rights reserved under Inter-American Copyright Union (1910) by Howard W. Sams & Co., Inc." Printed in U. S. of America



CHASSIS TOP VIEW

PARTS LIST AND DESCRIPTIONS

TUBES (GENERAL ELECTRIC, SYLVANIA)

ITEM No.	USE	TYPE	NOTES	ITEM No.	USE	TYPE	NOTES
V1	Mic-Phono Preampifier	12AX7		V4	Output	6V6GT	
V2	AF Amplifier	6AV6		V5	Output	6V6GT	
V3	AF Amplifier-Phase Inv.	12AX7		V6	Rectifier	5Y3GT	

ELECTROLYTIC CAPACITORS

ITEM No.	RATING		REPLACEMENT DATA								SPRAGUE PART No.
	CAP.	VOLT.	NEWCOMB PART No.	AEROVOX PART No.	CORNELL-DUBILIER PART No.	MALLORY PART No.	PYRAMD PART No.	SANGAMO PART No.	Q-075		
C1A	.60	500	CE-33	AFH3-49	BO320	FP284	TMD-92	Q-075		TVL-3839	
B	.10	475			LBR3050	LTC82	LTD-20-500				
C2A	.20	475	CE-30			FP474	TMQ-19	Q-070		R2405 *	
B	.10	475				LTC36	LTD-25-50	FM-0525			
C	#10	475									
D	25	50									
C3	4	450	CE-1	PR8450V4	BR445	TC70	TD-4-450	FM-4504		TVA-1702	

* Non Catalog Item.

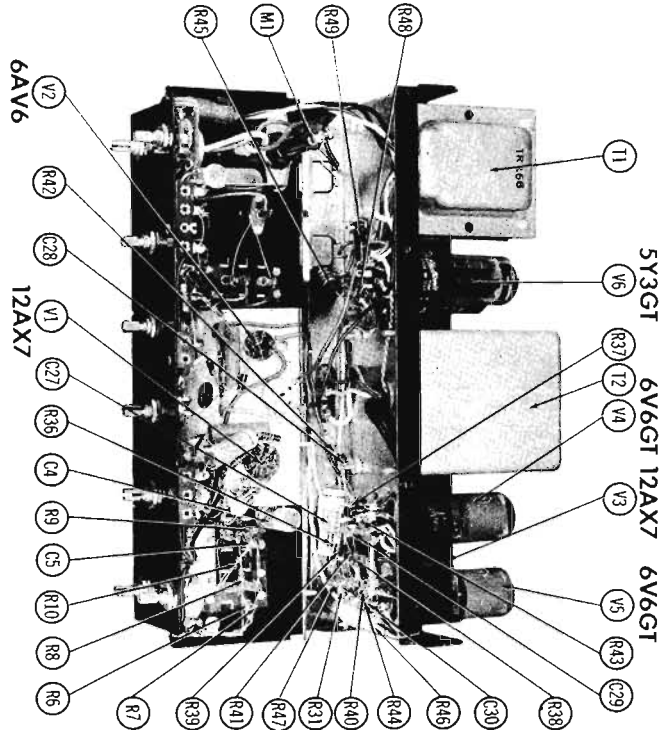
FIXED CAPACITORS

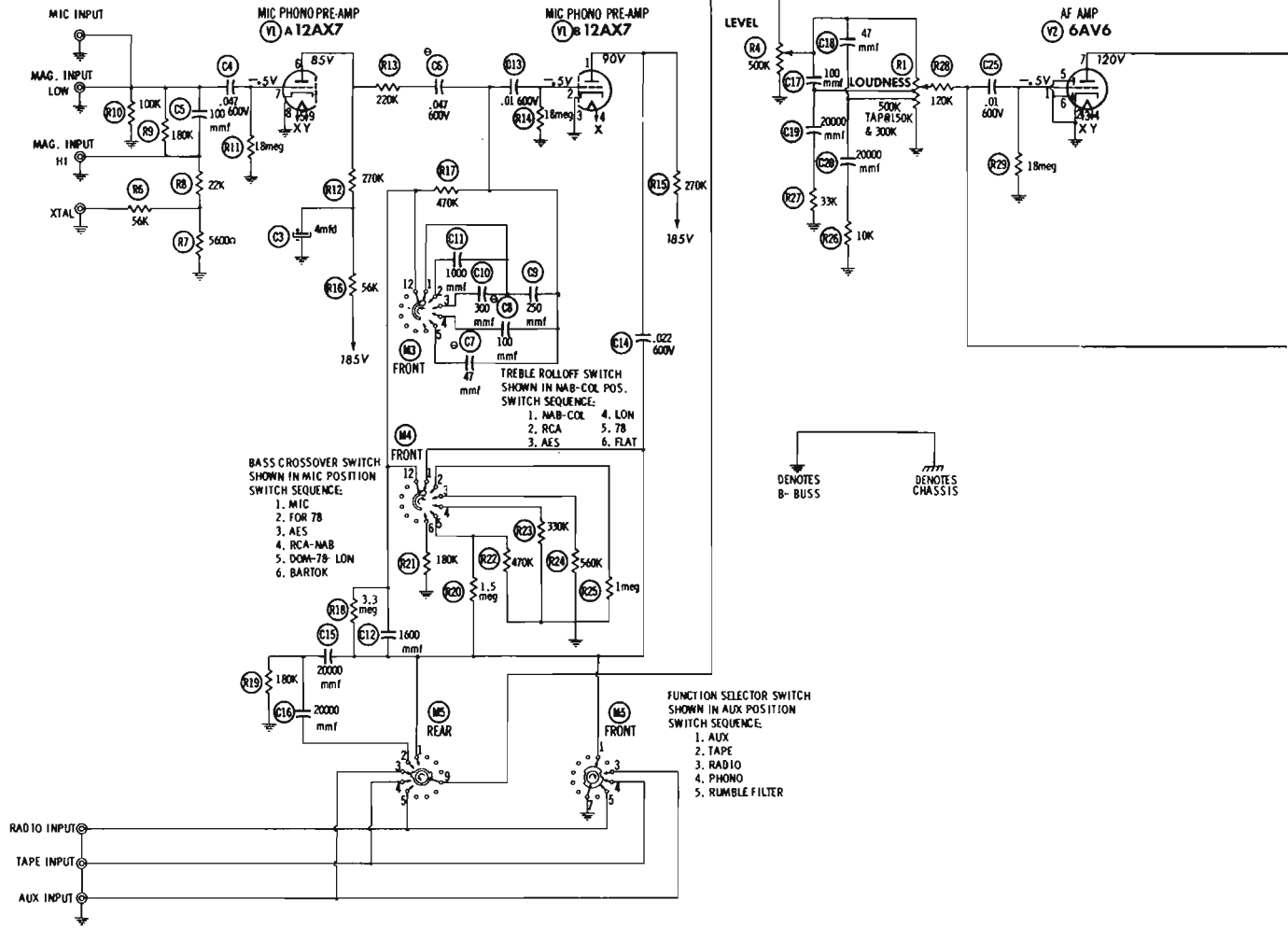
Capacity values given in the rating column are in mfd. for Paper Capacitors, and in mmfd. for Mica and Ceramic Capacitors.

ITEM No.	RATING		REPLACEMENT DATA								NOTES
	CAP.	VOLT.	NEWCOMB PART No.	AEROVOX PART No.	CENTRALAB PART No.	CORNELL-DUBILIER PART No.	ERIE PART No.	MALLORY PART No.	SPRAGUE PART No.		
C4	.047	600	CP-49	BPD-05	DF-503	CUB6547	GP-100	GEM-6147	6TM-547		
C5	.100		CM-14	SI-100	DE-101	LT671	UC-531	UC-531	SGA-T1		
C6	.047	600	CP-49	BPD-05	DF-503	CUB6547	GP-47	CEM-6147	6TM-547	Note 1	
C7	.100		CM-3	SI-47	DE-470	LTSQ47	GP-100	UC-5447	SGA-Q47	Note 2	
C8	100		CM-14	SI-100	DE-101	LT671	GP-100	UC-531	SGA-T1	Note 3	
C9	250		CM-22	BPD-00025	DD-251	L0725	ED-250	UC-5325	SGA-T25		
C10	300		CM-15	SI-300	DE-300	LTS73	GP-300	UC-533	SGA-T3		
C11	1000		CM-38	SI-1000	DE-102	LT6D1	GP-1000	DC521	5HK-D1		
C12	1600		CM-52	BPD-0015	DD-162	BYA10D15	GP-1500	UC-5315	5HK-D15		
C13	.01	600	CP-45	BPD-01	DD-103	CUB651	ED-10000	GEM-611	6TM-S1		
C14	.022	600	CP-47	BPD-02	DF-203	CUB6522	ED-02	GEM-6122	6TM-S22		
C15	20000		CM-35	BPD-02	DD-203	BYB652	ED-02	SHK-82	5HK-82		
C16	20000		CM-35	BPD-02	DD-203	BYB652	ED-02	5HK-52	5HK-S2		
C17	100		CM-14	SI-100	DE-101	LT671	GP-100	UC-531	SGA-T1		
C18	.1		CM-3	SI-47	DE-470	LTSQ47	GP-47	UC-5447	SGA-Q47		
C19	20000		CM-35	BPD-02	DD-203	BYB652	ED-02	5HK-S2	5HK-S2		
C20	20000		CM-35	BPD-02	DD-203	BYB652	ED-02	5HK-S2	5HK-S2		
C21	10000		CM-32	BPD-01	DD-103	BYA551	ED-01	DC511	5HK-S1		
C22	1000		CM-38	SI-1000	DE-102	LT6D1	GP-1000	DC521	5HK-D1		
C23	470		CM-25	SI-470	DE-471	LT6T47	GP-470	UC-5347	SGA-T47		
C24	470		CM-25	SI-470	DE-471	LT6T47	GP-470	UC-5347	SGA-T47		
C25	.01		CP-45	BPD-01	DD-103	CUB651	GP-10000	GEM-611	6TM-S1		
C26	20000		CM-35	BPD-02	DD-203	BYB652	ED-02	5HK-S2	5HK-S2		
C27	.047	600	CP-49	BPD-05	DF-503	CUB6547	ED-02	CEM-6147	6TM-S47		
C28	30		CM-16	SI-30	DD-263	L10Q3	ED-30	SOA-Q3	SOA-Q3		
C29	20000		CM-35	BPD-02	DD-203	BYB652	ED-02	5HK-S2	5HK-S2		
C30	20000		CM-35	BPD-02	DD-203	BYB652	ED-02	5HK-S2	5HK-S2		

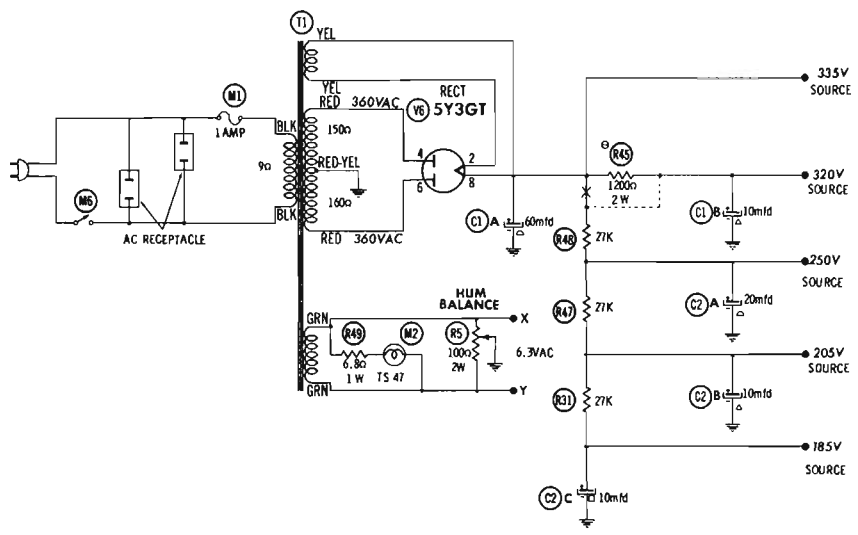
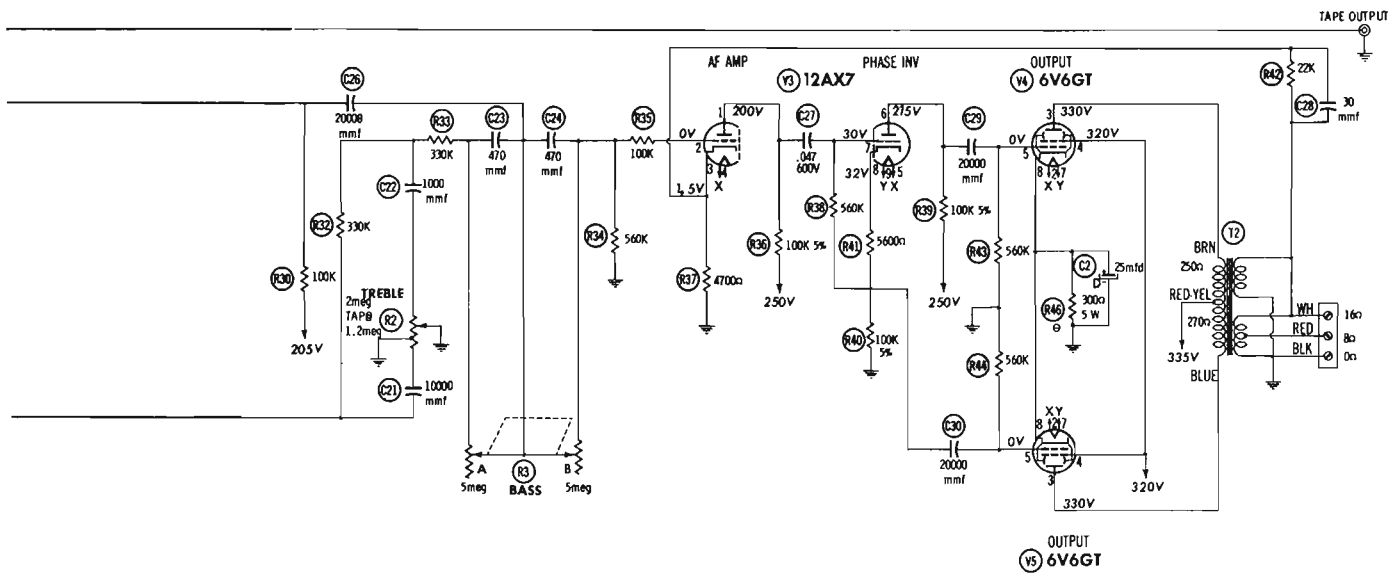
Note 1. Some versions may use .1 MFD @ 400V in this application.
 Note 2. Some versions may use 100 MMF in this application.
 Note 3. Some versions may use 150 MMF in this application.

CHASSIS—TOP VIEW





SEE PARTS LIST FOR ALTERNATE VALUE OR APPLICATION



1. DC voltage measurements taken with vacuum tube voltmeter; AC voltages measured at 1000 ohms per volt.
2. Socket connections are shown as bottom views.
3. Measured values are from socket pin to common negative.
4. Line voltage maintained at 117 volts for voltage readings.
5. Nominal tolerance of component values makes possible a variation of ±15% in voltage and resistance readings.
6. All controls at minimum, proper output load connected.

RESISTANCE READINGS

ITEM	TUBE	Pin 1	Pin 2	Pin 3	Pin 4	Pin 5	Pin 6	Pin 7	Pin 8	Pin 9
V1	12AX7	† 340K	18Mmeg	0Ω	26Ω	26Ω	† 405K	18Mmeg	0Ω	26Ω
V2	6AV6	18Mmeg	0Ω	26Ω	26Ω	0Ω	0Ω	† 155K		
V3	12AX7	† 127K	660K	4700Ω	26Ω	26Ω	† 127K	650K	100K	26Ω
V4	6V6GT	TP	26Ω	† 250Ω	† 1200Ω	560K	TP	26Ω	300Ω	
V5	6V6GT	TP	26Ω	† 270Ω	† 1200Ω	560K	TP	26Ω	300Ω	
V6	5Y3GT	NC	20K (Min)	NC	150Ω	TP	160Ω	NC	20K (Min)	

ALL MEASUREMENTS TAKEN IN "AUX" POSITION.
 † MEASURED FROM PIN 8 OF V6.
 NC NO CONNECTION.
 TP TIE POINT.

PARTS LIST AND DESCRIPTIONS (Continued)

CONTROLS

ITEM No.	RATING		REPLACEMENT DATA				INSTALLATION NOTES	
	RESISTANCE	WATTS	NEWCOMB PART No.	CENTRALAR PART No.	CLAROSTAT PART No.	IRC PART No.		MALLORY PART No.
RLA	500K	1	RV-71-K	ABT-160			UDT-285	Loudness, Tap @ 150K & 300K
B Shaft				AK-4			Not Req.	
R2A	2Meg	1	RV-59-K		A47F3-2Meg	Q18-199X	UT-451	Treble, Tap @ 1.2Meg
B Shaft					KSS-3	Not Req.	Not Req.	
R3A	5Meg	1	RV-57-K					Bass
B Shaft								Bass
R4A	500K	1	RV-88-K	B-59	A47-500K-S	Q11-133	U50	Level
B Shaft				Not Req.	KSS-3	Not Req.	Not Req.	
R5	100Ω	2	RV-75					Hum Balance (Wire Wound)

RESISTORS

All wattages 1/2 watt, or less, unless otherwise listed.

ITEM No.	RATING		REPLACEMENT DATA		NOTES	ITEM No.	RATING		REPLACEMENT DATA		NOTES
	OHMS	WATT	NEWCOMB PART No.	IRC PART No.			OHMS	WATT	NEWCOMB PART No.	IRC PART No.	
R6	56K		RR-25	BTS-56K		R28	120K	RR-28	BTS-120K		
R7	5600Ω		RR-15	BTS-5600		R29	18Meg	RR-140	BTS-18Meg		
R8	22K		RR-21	BTS-22K		R30	100K	RR-27	BTS-100K		
R9	180K		RR-29	BTS-180K		R31	27K	RR-22	BTS-27K		
R10	100K		RR-27	BTS-100K		R32	330K	RR-32	BTS-330K		
R11	18Meg		RR-140	BTS-18Meg		R33	330K	RR-32	BTS-330K		
R12	270K		RR-31	BTS-270K		R34	560K	RR-34	BTS-560K		
R13	220K		RR-30	BTS-220K		R35	100K	RR-27	BTS-100K		
R14	18Meg		RR-140	BTS-18Meg		R36	100K 5%	RR-50	BTS-100K 5%		
R15	270K		RR-31	BTS-270K		R37	4700Ω	RR-14	BTS-4700		
R16	56K		RR-25	BTS-56K		R38	560K	RR-34	BTS-560K		
R17	470K		RR-33	BTS-470K		R39	100K 5%	RR-50	BTS-100K 5%		
R18	3.3Meg		RR-42	BTS-3.3Meg		R40	100K 5%	RR-50	BTS-100K 5%		
R19	180K		RR-29	BTS-180K		R41	5600Ω	RR-15	BTS-5600Ω		
R20	1.5Meg		RR-39	BTS-1.5Meg		R42	22K	RR-21	BTS-22K		
R21	180K		RR-29	BTS-180K		R43	560K	RR-34	BTS-560K		
R22	470K		RR-33	BTS-470K		R44	560K	RR-34	BTS-560K		
R23	330K		RR-32	BTS-330K		R45	1200Ω	2	BTB-1200		
R24	580K		RR-34	BTS-580K		R46	300Ω	5	PW7-300		Note 1
R25	1Meg		RR-37	BTS-1Meg		R47	27K	RR-22	BTS-27K		
R26	10K		RR-18	BTS-10K		R48	27K	RR-22	BTS-27K		
R27	33K		RR-23	BTS-33K		R49	6.8Ω	1	RR-149		

Note #1. 250Ω 5 W Used in Some Versions (Part #RR-94).

PARTS LIST AND DESCRIPTIONS (Continued)

TRANSFORMER (POWER)

ITEM No.	RATING				REPLACEMENT DATA					
	PRI	SEC. 1	SEC. 2	SEC. 3	NEWCOMB PART No.	Haldorson PART No.	Merit PART No.	Stancor PART No.	Thordarson PART No.	Triad PART No.
T1	117VAC ② .64A	690VCT ② .078A	5VAC ② 2A	6.3VAC ② 1.7A	TR-186	P831U ①		PC8409 ①	24R02U ①	

① Tape Center Tap On 6.3V Winding.

TRANSFORMER (AUDIO OUTPUT)

ITEM No.	IMPEDANCE		REPLACEMENT DATA							NOTES
	PRI	SEC.	NEWCOMB PART No.	Haldorson PART No.	Merit PART No.	Stancor PART No.	Thordarson PART No.	Triad PART No.		
T2	7300Ω 16Ω CT	16Ω Tap @ 8Ω	TR-178							

FUSE

ITEM No.	TYPE	RATING	REPLACEMENT DATA							
			NEWCOMB PART No.		LITTELFUSE PART No.		BUSS PART No.			
			FUSE	HOLDER	FUSE	HOLDER	FUSE	HOLDER		
M1	3AG Slo/ Blo	1A 250V	FA-4		31500L (3AG Slo/ Blo 1A)		B41001		MDL1	HKP

MISCELLANEOUS

ITEM No.	PART NAME	NEWCOMB PART No.	NOTES
M2	Pilot Light	SY-89	TS47
M3	Switch	SY-89	Treble Roll-Off, (Rotary Wafer Type)
M4	Switch	SY-89	Bass Cross-Over, (Rotary Wafer Type)
M5	Switch	SY-91	Function Selector (Rotary Wafer Type)
M6	Switch		Power On-Off



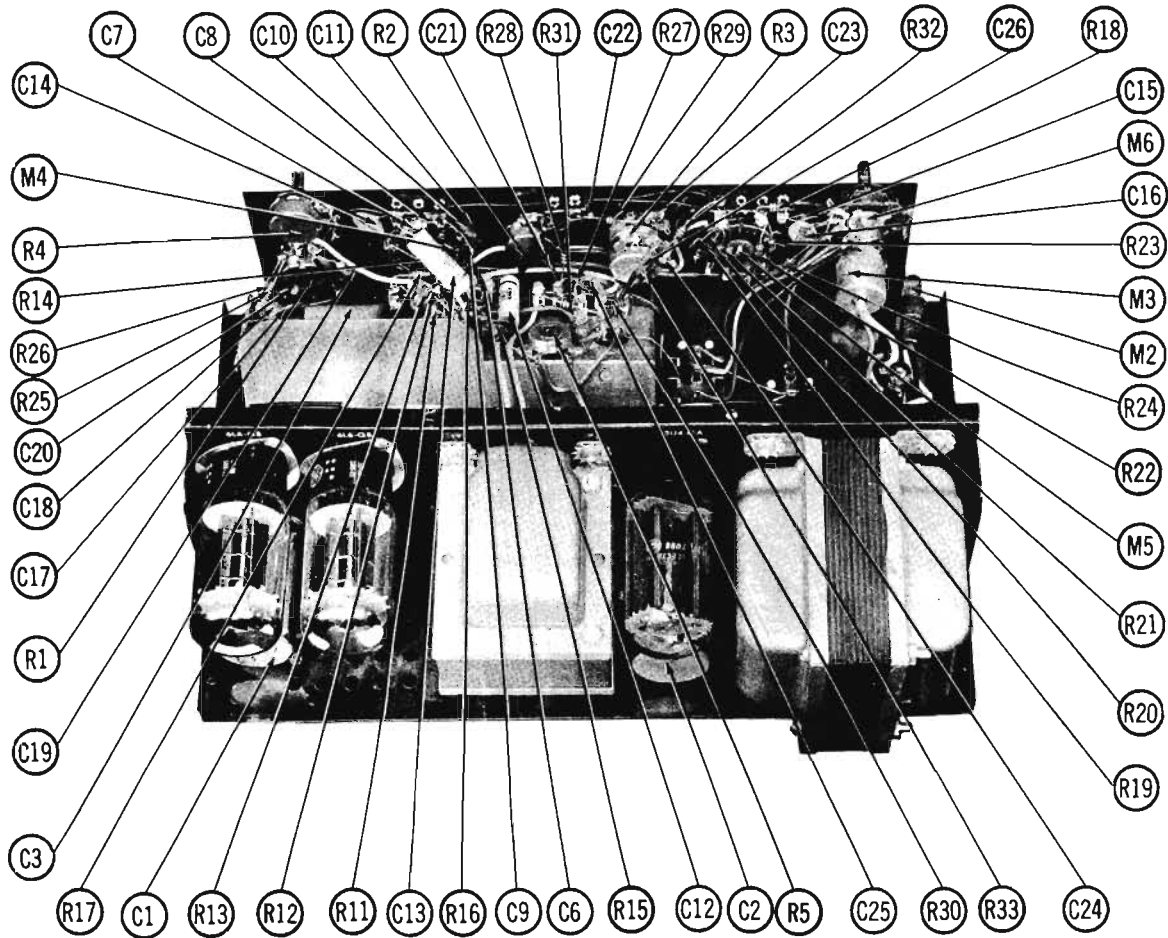
**NEWCOMB
 MODEL CO-1020**

TRADE NAME	Newcomb Model CO-1020	
MANUFACTURER	Newcomb Audio Products Co., 6824 Lexington Ave., Hollywood 38, Calif.	
TYPE SET	AC Operated 7 Channel 20 Watt Audio Amplifier	
TUBES (Six)	Types 12AX7 Preamplifier, 6AV8 AF Amplifier, 12AX7 AF Amp. -Phase Inv., (2) 6L6GB Output, 5U4GA Rectifier	
POWER SUPPLY	110-120 Volts AC-60 Cycles	RATING .96 Amp. @ 117 Volts AC (105 Watts)

HOWARD W. SAMS & CO., INC. • Indianapolis 5, Indiana

"The listing of any available replacement part herein does not constitute in any case a recommendation, warranty or guaranty by Howard W. Sams & Co., Inc., as to the quality and suitability of such replacement part. The numbers of these parts have been compiled from information furnished to Howard W. Sams & Co., Inc., by the manufacturers of the particular type of replacement part listed."
 "Reproduction or use, without express permission, of editorial or pictorial con-
 G984

tent, in any manner, is prohibited. No patent liability is assumed with respect to the use of the information contained herein. Copyright 1957 by Howard W. Sams & Co., Inc., Indianapolis 5, Indiana, U. S. of America. Copyright under international Copyright Union. All rights reserved under Inter-American Copyright Union (1910) by Howard W. Sams & Co., Inc." Printed in U. S. of America



CHASSIS TOP VIEW

PARTS LIST AND DESCRIPTIONS

TUBES (GENERAL ELECTRIC, SYLVANIA)

ITEM No.	USE	TYPE	NOTES	ITEM No.	USE	TYPE	NOTES
V1	Preamplifier	12AX7		V4	Output	6L6GB	
V2	AF Amplifier	6AV6		V5	Output	6L6GB	
V3	AF Amp. -Phase Inv.	12AX7		V6	Rectifier	5U4GA	

ELECTROLYTIC CAPACITORS

ITEM No.	RATING		REPLACEMENT DATA						
	CAP.	VOLT.	NEWCOMB PART No.	AEROVOX PART No.	CORNELL-DUBILIER PART No.	MALLORY PART No.	PYRAMID PART No.	SANGAMO PART No.	SPRAGUE PART No.
C1A	.60	500	CE-33	AFH3-53	D0680		TMT-46		R2409 *
B	.10	475							
C2A	.20	475	CE-30	AFH4-19-10		FP474.5			R2405 *
B	.10	475							
C	.10	475							
D	.25	50							
C3	4	450	CE-1	PRS450V4	BR445	TC70	TD-4-450	FM-4504	TVA-1702

* Non catalog Item

FIXED CAPACITORS

Capacity values given in the rating column are in mfd. for Paper Capacitors, and in mmfd. for Mica and Ceramic Capacitors.

ITEM No.	RATING		REPLACEMENT DATA							NOTES
	CAP.	VOLT.	NEWCOMB PART No.	AEROVOX PART No.	CENTRALAB PART No.	CORNELL-DUBILIER PART No.	ERIE PART No.	MALLORY PART No.	SPRAGUE PART No.	
C4	100		CM-14	SI 100	D8-101	LT8T1	GP-100	UC-531	5GA-T1	Note 1
C5	.047	600	CP-49	BPD-05	DF-503	CUB8547	GP-100	GEM-6147	6TM-847	
C8	.047	600	CP-49	BPD-05	DF-503	CUB8547	GP-100	GEM-6147	6TM-847	
C7	47		CM-3	SI 47	D8-470	LT8Q47	GP-47	UC-5447	5GA-Q47	Note 2
C8	100		CM-14	SI 100	D8-101	LT8T1	GP-100	UC-531	5GA-T1	
C9	250		CM-22	SI 250	D8-251	LT8T25	GP-250	UC-5325	5GA-T25	
C10	350		CM-26	SI 350	D8-351	LT8T35	GP-350	UC-5335	5GA-T35	
C11	1000		CM-36	SI 1000	D8-102	LT8D1	GP-1000	DC521	5HK-D1	
C12	.01	600	CP-45	BPD-01	DD-103	CUB851	CP-10000	GEM-611	6TM-S1	
C13	.022	600	CP-47	BPD-02	DD-203	CUB8522	ED-02	GEM-6122	6TM-S22	
C14	1600		CM-52	BPD-0015	DD-152	L10D15	ED-1500	UC-5215	5HK-D15	
C15	20000		CM-35	BPD-02	DD-203	BYB852	ED-02		5HK-S2	
C16	20000		CM-35	BPD-02	DD-203	BYB852	ED-02		5HK-S2	
C17	20000		CM-35	BPD-02	DD-203	BYB852	ED-02		5HK-S2	
C18	20000		CM-35	BPD-02	DD-203	BYB852	ED-02		5HK-S2	
C19	100		CM-14	SI 100	D8-101	LT8T1	GP-100	UC-531	5GA-T1	
C20	47		CM-3	SI 47	D8-470	LT8Q47	GP-47	UC-5447	5GA-Q47	
C21	10000		CM-32	BPD-01	DD-103	BYA851	ED-01	DC511	5HK-S1	
C22	1000		CM-38	BPD-001	DD-102	BYA8D1	ED-1000	DC521	5HK-D1	
C23	470		CM-25	SI 470	D8-471	LT8T47	GP-470	UC-5347	5GA-T47	
C24	470		CM-25	SI 470	D8-471	LT8T47	GP-470	UC-5347	5GA-T47	
C25	10000		CM-32	BPD-01	DD-103	BYA851	ED-01	DC511	5HK-S1	
C28	20000		CM-35	BPD-02	DD-203	BYB852	ED-02		5HK-S2	
C27	.047	600	CP-49	BPD-05	DF-503	CUB8547	GP-100	GEM-6147	6TM-847	
C28	100		CM-14	SI 100	D8-101	LT8T1	GP-100	UC-531	5GA-T1	
C29	.1	600	CP-52	P688N-1	DF-104	CUB8P1	GP-100	GEM-601	6TM-P1	
C30	.1	600	CP-52	P688N-1	DF-104	CUB8P1	GP-100	GEM-601	6TM-P1	
C31	250		DM-22	BPD-00025	D8-251	LT8T25	GP-250	UC-5325	5GA-T25	

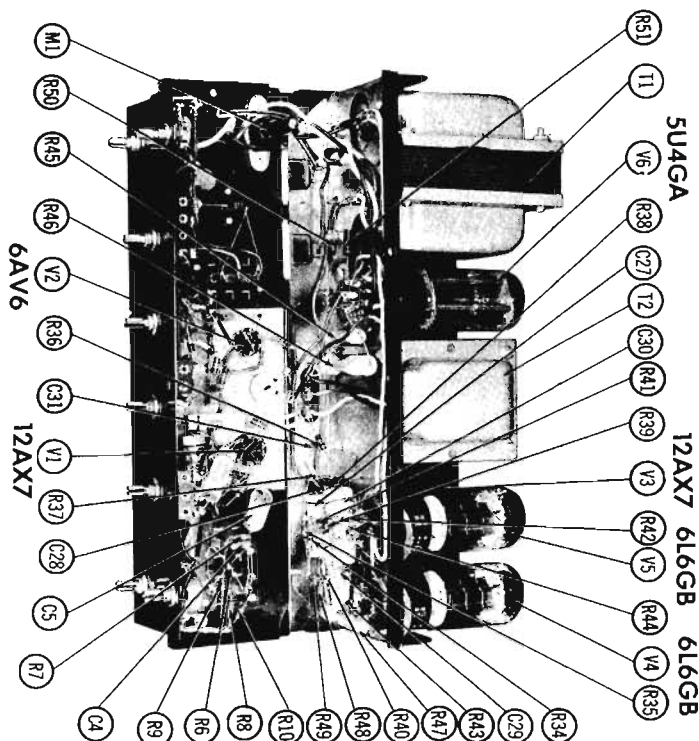
Note 1. Some versions may use .1MFD in this application (Part #CP-52)

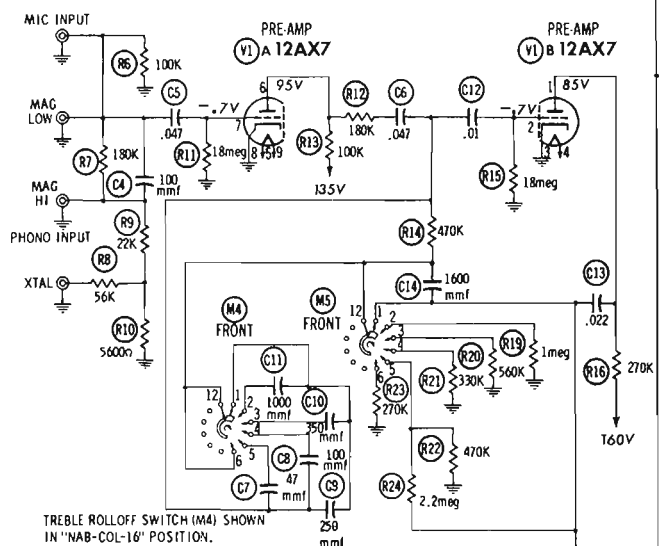
Note 2. Some versions may use 300MMF in this application

CONTROLS

ITEM No.	RATING		REPLACEMENT DATA					INSTALLATION NOTES
	RESISTANCE	WATTS	NEWCOMB PART No.	CENTRALAB PART No.	CLAROSTAT PART No.	IRC PART No.	MALLORY PART No.	
R1	500K	1/2	RV-T1-K				UDT-285	Loudness, Tap @ 150K & 300K
R2A	2Meg		RV-59-S		A47P3-2Meg	KSS-3	Q18-139X	UT-451
B	500K	1/2	RV-57-K					None
R3A	3Meg		RV-57-K					
B	500K	1/2	RV-86-K	B-59	A47-500K-S	KSS-3	Q11-133	Level
R4A	500K		RV-86-K					
B	500K	1/2	RV-75					Hum Balance
R5	1000		RV-75					

CHASSIS—TOP VIEW



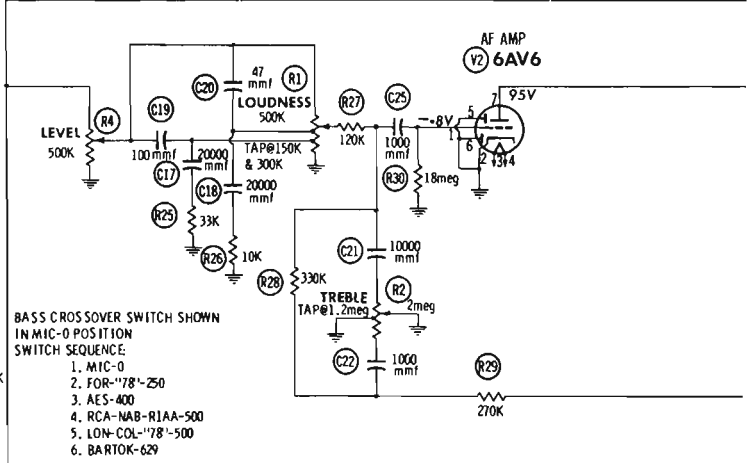
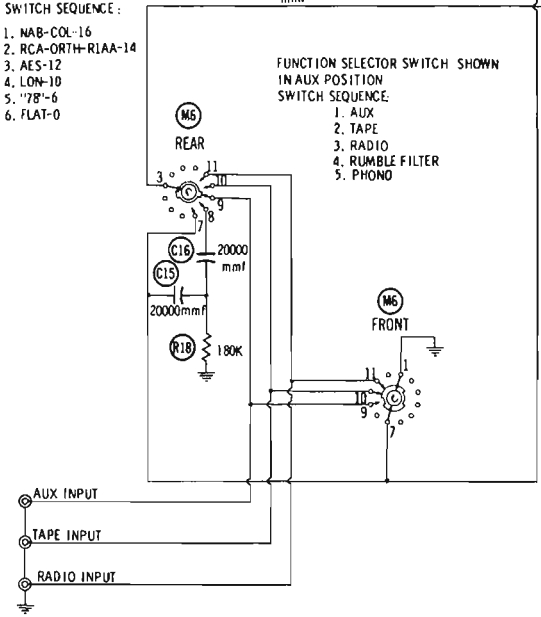


TREBLE ROLLOFF SWITCH (M4) SHOWN IN "NAB-COL-16" POSITION.
SWITCH SEQUENCE:

1. NAB-COL-16
2. RCA-ORTH-R1AA-14
3. AES-12
4. LON-10
5. '78'-6
6. FLAT-0

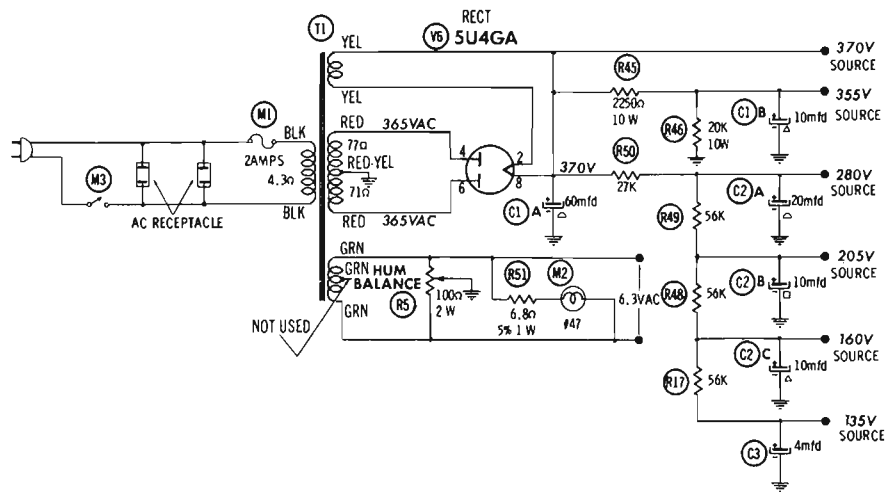
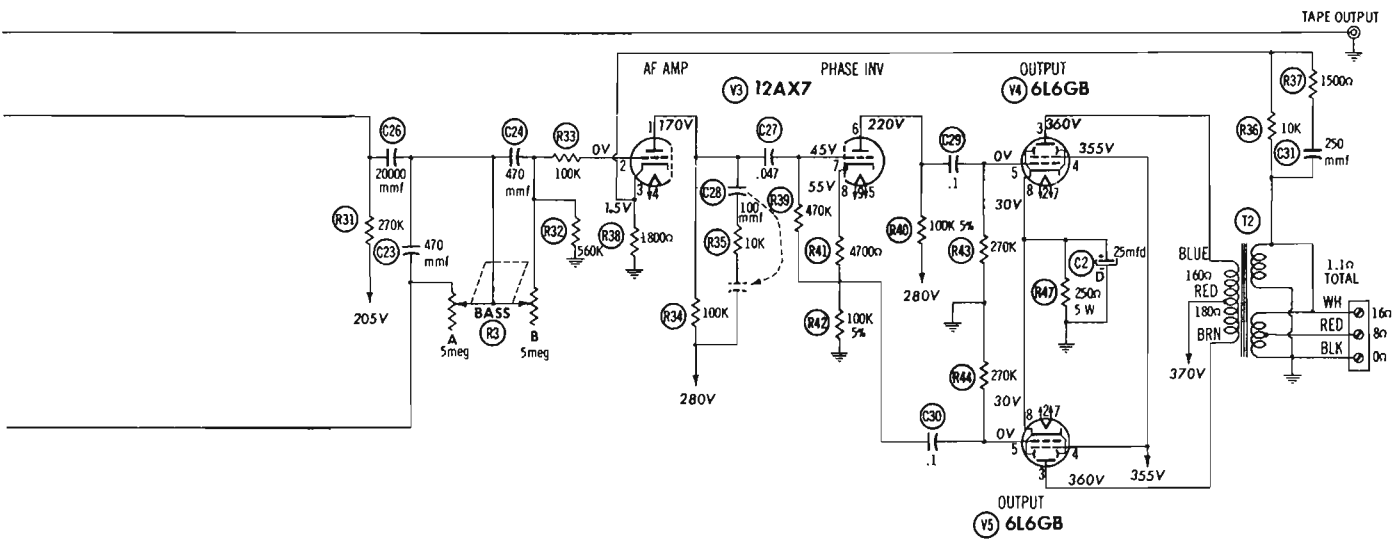
FUNCTION SELECTOR SWITCH SHOWN IN AUX POSITION
SWITCH SEQUENCE:

1. AUX
2. TAPE
3. RADIO
4. RUMBLE FILTER
5. PHONO



BASS CROSSOVER SWITCH SHOWN IN MIC-0 POSITION
SWITCH SEQUENCE:

1. MIC-0
2. FOR-'78'-250
3. AES-400
4. RCA-NAB-R1AA-500
5. LON-COL-'78'-500
6. BARTOK-629



RESISTANCE READINGS

ITEM	TUBE	Pin 1	Pin 2	Pin 3	Pin 4	Pin 5	Pin 6	Pin 7	Pin 8	Pin 9
V1	12AX7	† 40K	18Meg	0n	26n	26n	† 295K	18Meg	0n	26n
V2	6AV6	18Meg	0n	26n	26n	0n	0n	† 355K		
V3	12AX7	† 127K	660K	1800n	26n	26n	† 127K	570K	100K	26n
V4	6L6GB	TP	26n	† 160n	† 2250n	270K	NC	26n	250n	
V5	6L6GB	TP	26n	† 180n	† 2250n	270K	TP	26n	250n	
V6	5U4GB	TP	20K(Min)	TP	77n	TP	71n	TP	20K(Min)	

† MEASURED FROM PIN 8 OF V6
 NC NO CONNECTION
 TP TIE POINT

1. DC voltage measurements taken with vacuum tube voltmeter; AC voltages measured at 1000 ohms per volt.
2. Socket connections are shown as bottom views.
3. Measured values are from socket pin to common negative.
4. Line voltage maintained at 117 volts for voltage readings.
5. Nominal tolerance of component values makes possible a variation of ±15% in voltage and resistance readings.
6. All controls at minimum, proper output load connected.

PARTS LIST AND DESCRIPTIONS (Continued)

RESISTORS

All wattages 1/2 watt, or less, unless otherwise listed.

ITEM No.	RATING		REPLACEMENT DATA		NOTES	ITEM No.	RATING		REPLACEMENT DATA		NOTES
	OHMS	WATT	NEWCOMB PART No.	IRC PART No.			NEWCOMB PART No.	IRC PART No.			
									OHMS	WATT	
R6	100K		RR-27	BTS-100K		R29	270K	RR-31	BTS-270K		
R7	180K		RR-29	BTS-180K		R30	18Meg	RR-140	BTS-18Meg		
R8	56K		RR-25	BTS-56K		R31	270K	RR-31	BTS-270K		
R9	22K		RR-21	BTS-22K		R32	560K	RR-34	BTS-560K		
R10	5600Ω		RR-15	BTS-5600		R33	100K	RR-27	BTS-100K		
R11	18Meg		RR-140	BTS-18Meg		R34	100K	RR-27	BTS-100K		
R12	180K		RR-29	BTS-180K		R35	10K	RR-18	BTS-10K		
R13	100K		RR-27	BTS-100		R36	10K	RR-18	BTS-10K		
R14	470K		RR-33	BTS-470K		R37	1500Ω	RR-8	BTS-1500		
R15	18Meg		RR-140	BTS-18Meg		R38	1800Ω	RR-9	BTS-1800		
R16	270K		RR-31	BTS-270K		R39	470K	RR-33	BTS-470K		
R17	55K		RR-25	BTS-56K		R40	100K 5%	RR-50	BTS-100K 5%		
R18	180K		RR-29	BTS-180K		R41	4700Ω	RR-14	BTS-4700		
R19	1Meg		RR-37	BTS-1Meg		R42	100K 5%	RR-50	BTS-100K 5%		
R20	560K		RR-34	BTS-560K		R43	270K	RR-31	BTS-270K		
R21	330K		RR-32	BTS-330K		R44	270K	RR-31	BTS-270K		
R22	470K		RR-33	BTS-470K		R45	2250Ω	RR-126	1 3/4A-2250		
R23	270K		RR-31	BTS-270K		R46	20K	RR-104	PW10-20K		
R24	2.2Meg		RR-40	BTS-2.2Meg		R47	250Ω	RR-94	PW7-250		
R25	33K		RR-23	BTS-33K		R48	56K	RR-25	BTS-56K		
R26	10K		RR-18	BTS-10K		R49	58K	RR-25	BTS-58K		
R27	120K		RR-28	BTS-120K		R50	27K	RR-22	BTS-27K		
R28	330K		RR-32	BTS-330K		R51	6.8K 5%	RR-149			

TRANSFORMER (POWER)

ITEM No.	RATING				NEWCOMB PART No.	Haldorson PART No.	REPLACEMENT DATA				
	PRI.	SEC. 1	SEC. 2	SEC. 3			Merit PART No.	Stancor PART No.	Thorndorson PART No.	Triad PART No.	
											NEWCOMB PART No.
T1	117VAC ① .98A	720VCT ② .122A	5V ③ 3A	8.3VCT ④ 2.8A	TR-118	P0918 ①	P-3173 ②	PC8411 ①	24R084 ①	R-14A ①	②

① Tape Center Tap On 8.3V Winding.

② Drill New Mounting Holes.

CHASSIS—BOTTOM VIEW

TRANSFORMER (AUDIO OUTPUT)

ITEM No.	IMPEDANCE		REPLACEMENT DATA						NOTES
	PRI.	SEC.	NEWCOMB PART No.	Haldorson PART No.	Merit PART No.	Stancor PART No.	Thorndorson PART No.	Triad PART No.	
T2	8300Ω CT	18Ω Tap ② 8Ω	TR-181	Z1403 ①	A-3130 ①	A-3307 ①	22588 ①	S-60A ①	① Drill new mounting holes.

FUSES

ITEM No.	TYPE	RATING	REPLACEMENT DATA					
			NEWCOMB PART No.		LITTELFUSE PART No.		BUSS PART No.	
			FUSE	HOLDER	FUSE	HOLDER	FUSE	HOLDER
M1	3AG	2A	FA-5		312002, (3AG2A)	341001	AGC2	HKP

MISCELLANEOUS

ITEM No.	PART NAME	NEWCOMB PART No.	NOTES
M2	Pilot Light		#47
M3	Switch		ON-OFF
M4	Switch	SY-89	Treble Rolloff
M5	Switch	SY-89	Bass Crossover
M6	Switch	SY-81	Selector



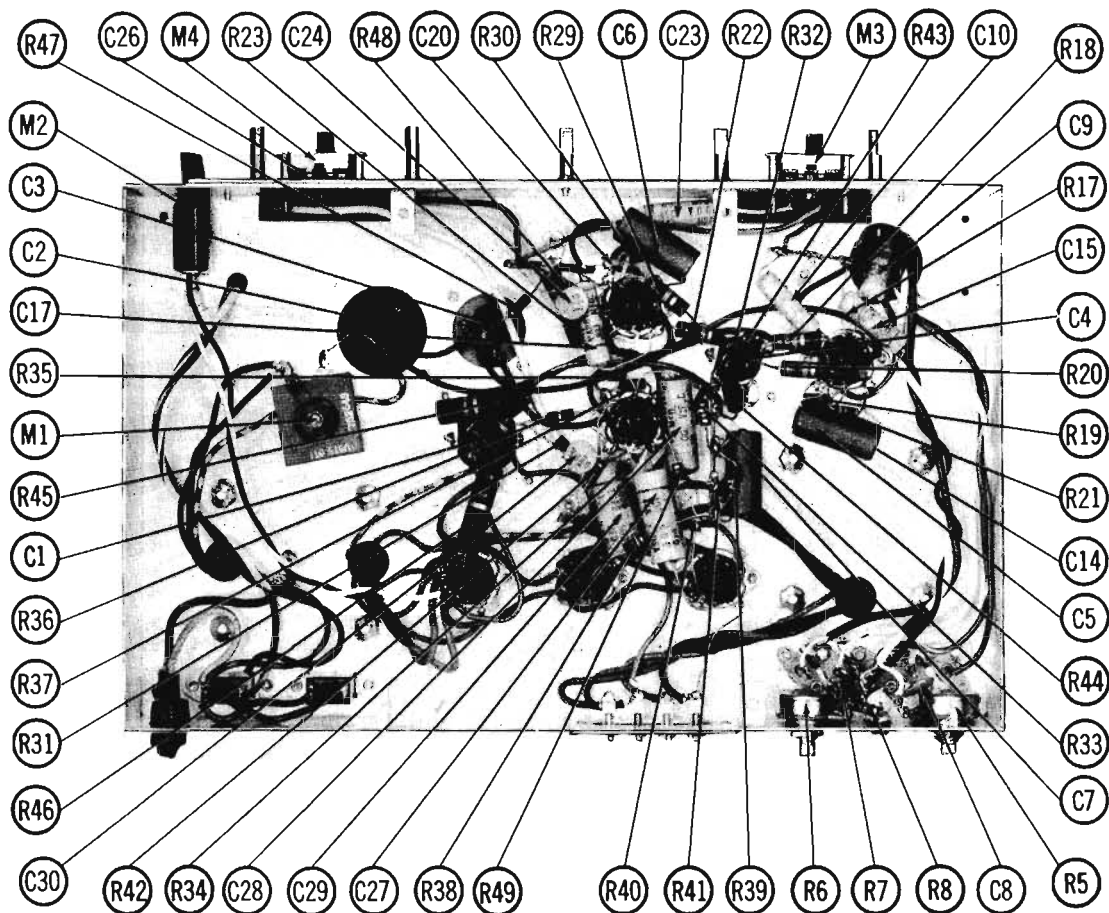
PILOT MODEL
 AA-903B

TRADE NAME	Pilot Model AA-903B	
MANUFACTURER	Pilot Radio Corp., 37-06 36th St., Long Island City 1, N. Y.	
TYPE SET	AC Operated 5 Channel Audio Amplifier	
TUBES (Six)	Types 12AX7 Phono Preamplifier, 12AX7 AF Amplifier, 12AX7 AF Amp. - Phase Inv., (2) EL84 (or) 6BQ5 Output, EZ81 (or) 8CA4 Rectifier	
POWER SUPPLY	105-120 Volts AC-60 Cycles	RATING .72 Amp. @ 117 Volts AC (71 Watts)

HOWARD W. SAMs & CO., INC. • Indianapolis 5, Indiana

The listing of any available replacement part herein does not constitute in any case a recommendation, warranty or guaranty by Howard W. Sams & Co., Inc., as to the quality and suitability of such replacement part. The numbers of these parts have been compiled from information furnished to Howard W. Sams & Co., Inc., by the manufacturers of H63

the particular type of replacement part listed. Reproduction or use, without express permission, of editorial or pictorial content, in any manner, is prohibited. No patent liability is assumed with respect to the use of the information contained herein. © 1957 Howard W. Sams & Co., Inc., Indianapolis 5, Indiana. Printed in U.S. of America



CHASSIS-BOTTOM VIEW

PARTS LIST AND DESCRIPTIONS

TUBES (GENERAL ELECTRIC, SYLVANIA)

ITEM No.	USE	TYPE	NOTES
V1	Phono Preamplifier	12AX7	
V2	AF Amplifier	12AX7	
V3	AF Amp. - Phase Inv.	12AX7	

Note 1. Alternate Type 6BQ5

ITEM No.	USE	TYPE	NOTES
V4	Output	EL84	Note 1
V5	Output	EL84	Note 1
V6	Rectifier	E281	Note 2

Note 2. Alternate Type 6CA4

ELECTROLYTIC CAPACITORS

ITEM No.	RATING		REPLACEMENT DATA						
	CAP.	VOLT.	PILOT PART No.	AEROVOX PART No.	CORNEIL-DUBILIER PART No.	MALLOY PART No.	PYRAMID PART No.	SANGAMO PART No.	SPRAGUE PART No.
C1A	.20	350	24-153	AFH4-14	D0130	FP444	TMQ-12	Q-040	TVL-4783
B	.20	350							
C	.20	350							
D	.20	350							
C2	500	25	24-152	AFH1-08	A0120	WP057	TMS-10	S-040	TVL-1220
C3	100	25	24-154	AFH1-21	XAD241	WP055	TMS-9	S-035	TVL-1423
C4A	.10	350	24-151	AFH3-28	C0220	FP259	TMT-28	S-215	TVL-3639.7
B	.40	350						MT-4510	
C5	25	25	24-50	PRS25V25	BBR25-25	TC26	TD-25-25	MT-0225	TVA-1205
C6	25	25	24-50	PRS25V25	BBR25-25	TC26	TD-25-25	MT-0225	TVA-1205
C7	25	25	24-50	PRS25V25	BBR25-25	TC26	TD-25-25	MT-0225	TVA-1205

① Not used in some versions.

FIXED CAPACITORS

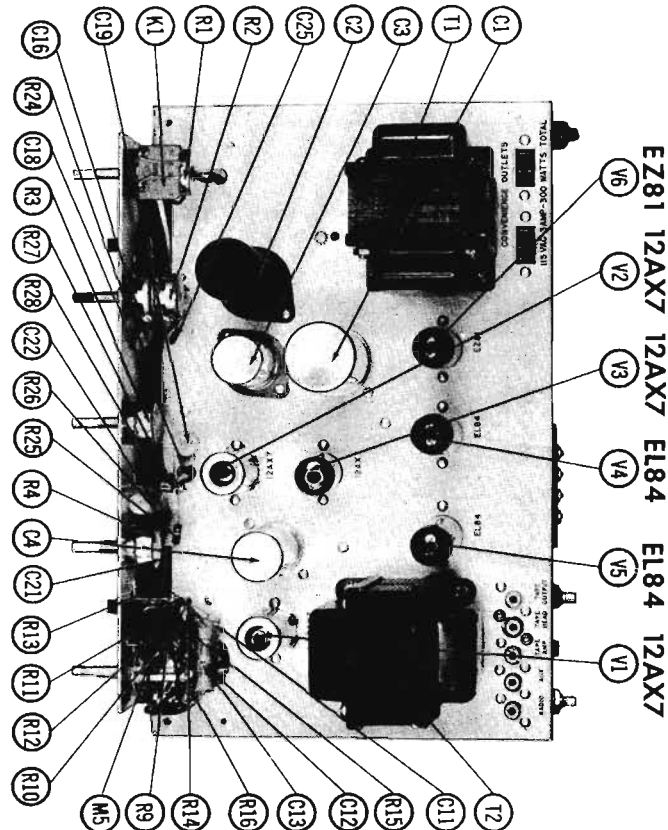
Capacity values given in the rating column are in mfd. for Paper Capacitors, and in mmfd. for Mica and Ceramic Capacitors.

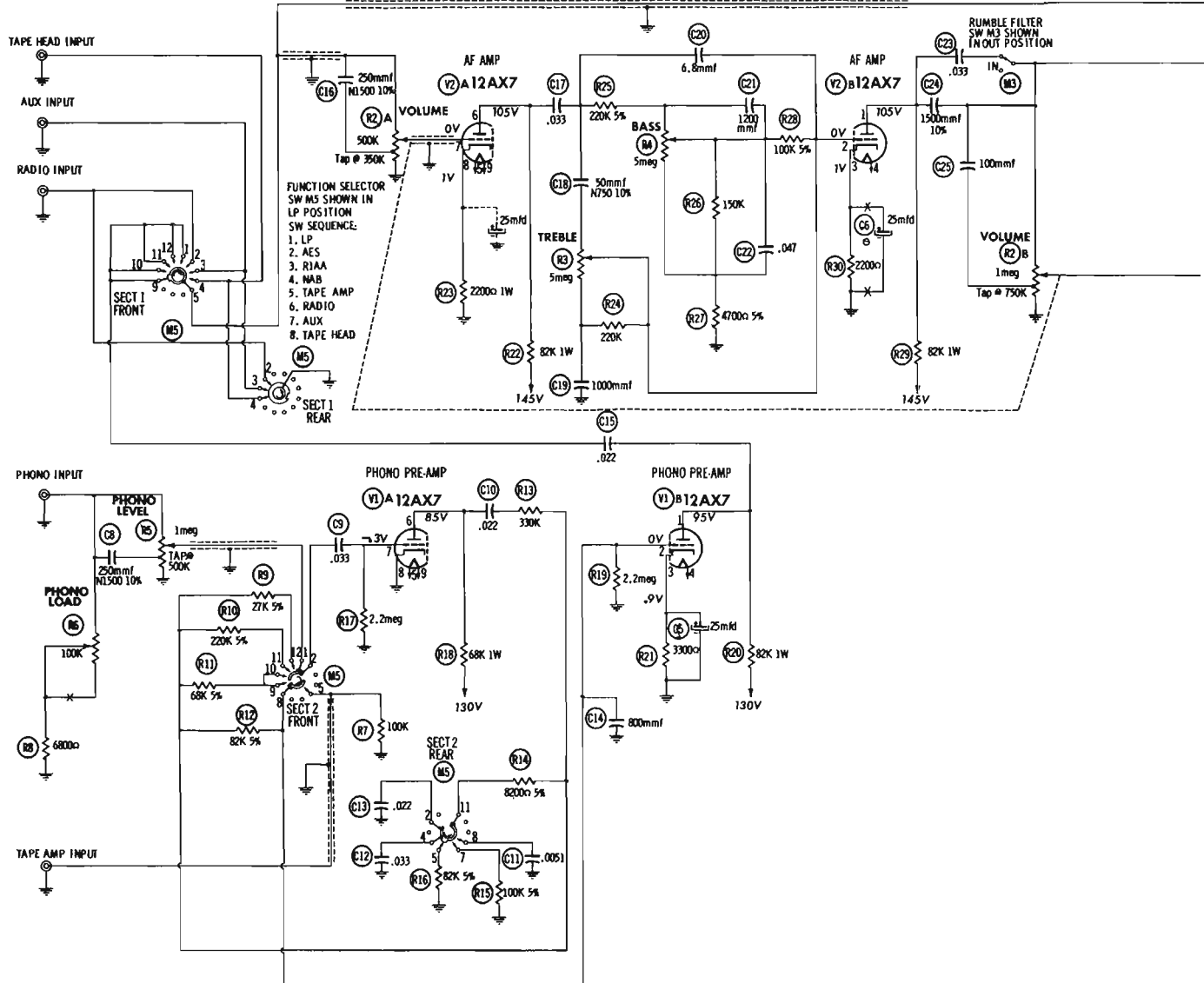
ITEM No.	RATING		REPLACEMENT DATA							NOTES
	CAP.	VOLT	PILOT PART No.	AEROVOX PART No.	CENTRALAB PART No.	CORNEIL-DUBILIER PART No.	ERIE PART No.	MALLOY PART No.	SPRAGUE PART No.	
C8	250			BPD-03	DF-308	CUB6S33		GEM-4133	6TM-833	N1500 10%
C9	.033	400		BPD-02	DD-203	CUB4S22	ED-02	GEM-4122	4TM-822	
C10	.022	400		BPD-005	D6-502	CUB8D5	GP-5000	GEM-625	6TM-D5	
C11	.0051	400		BPD-03	DF-303	CUB6S33		GEM-4133	6TM-S33	
C12	.033	400		BPD-02	DD-203	CUB4S22	ED-02	GEM-4122	4TM-S22	
C13	.022	400		BPD-008	DD-801	LI076		GEM-4122	4TM-S22	
C14	.022	400		BPD-02	DD-203	CUB4S22	ED-02	GEM-4122	4TM-S22	
C15	.022	400		BPD-02	DD-203	CUB4S22	ED-02	GEM-4122	4TM-S22	
C16	250									N1500 10%
C17	.033	400		BPD-03	DF-303	CUB6S33		GEM-4133	6TM-833	
C18	50	1000		TCN-50	C10Q50	ED-1000	TC7-50			N750 10%
C19	1000			BPD-001	DD-102	BYA8D1		DC521	5HK-D1	
C20	6.8	8		NPO-61 & 8	TCZ-6R8	C10V6R8C	TCO-6.8	ZT-5568	5TCCB-V68	
C21	1200				D6-122	LI0D12	ED-0012	UC-512	5GA-D12	
C22	.047	400		BPD-05	DF-503	CUB6S47		GEM-4147	4TM-S47	
C23	.033	400		BPD-03	DF-303	CUB6S33		GEM-4133	4TM-S33	
C24	1500			1464-0015		IRSD15			MS-215	10%
C25	100			BPD-0001	DD-101	LI0T1	ED-100	UC-531	5GA-T1	
C26	1500			1464-0015		IRSD15			MS-215	10%
C27	.1	400		P488N-1	DF-104	CUB4P4		GEM-401	4TM-P1	
C28	.1	200		P488N-1	DF-104	CUB3P1		GEM-201	2TM-P1	
C29	.1	400		P488N-1	DF-104	CUB4P1		GEM-401	4TM-P1	
C30	150			N750-SI 150	TCN-150	C10T15U	TC7-150		5TCU-T1	N750 10%

CONTROLS

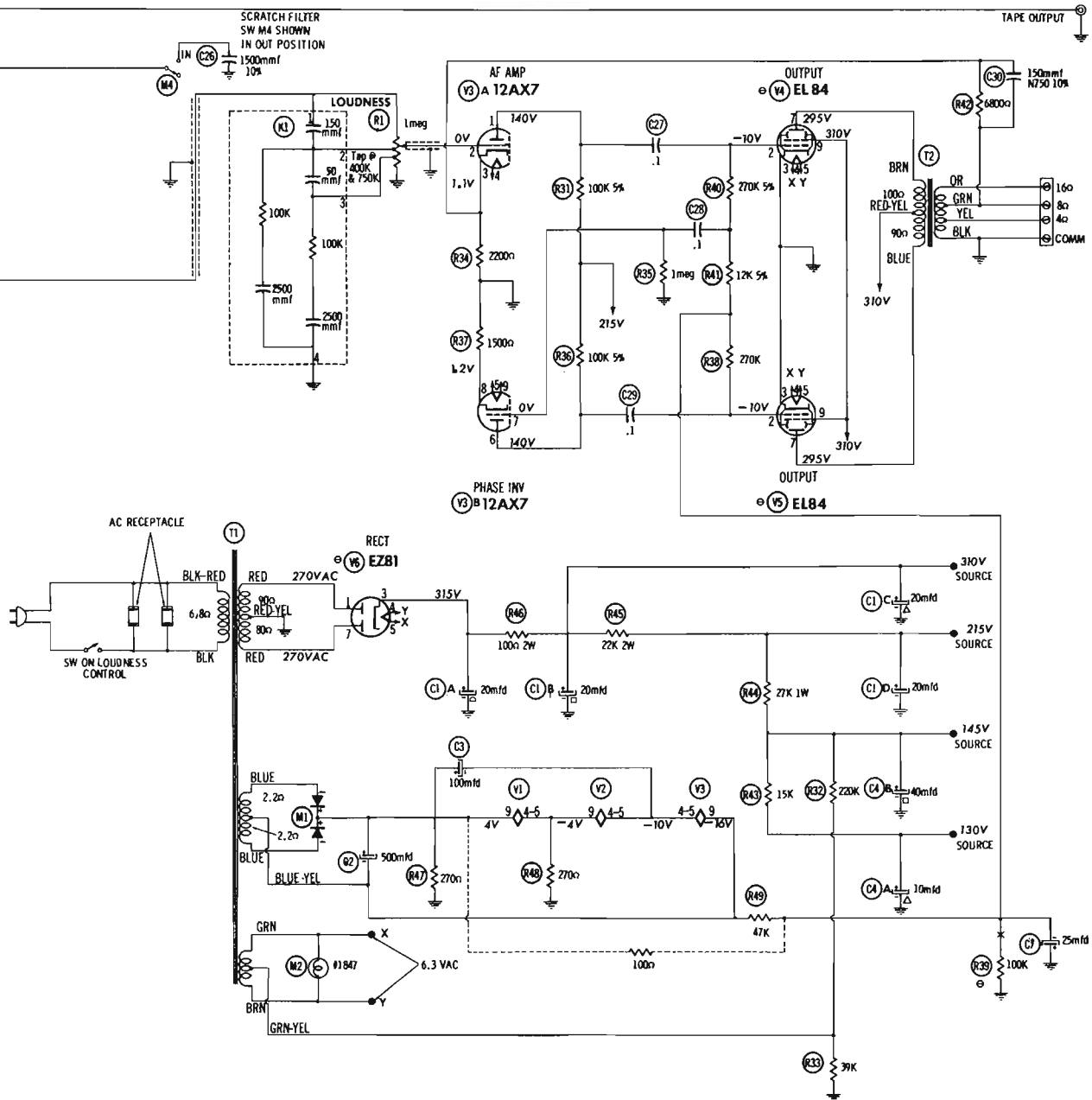
ITEM No.	RATING		REPLACEMENT DATA					INSTALLATION NOTES	
	RESISTANCE	WATTS	PILOT PART No.	CENTRALAB PART No.	CLAROSTAT PART No.	IRC PART No.	MALLOY PART No.		
R1A	1M Ω	1/2	38-66	C1708					Loose, Tap @ 400K & 750K
B	Switch								
R2A	500K	1/2	38-65						Volume, Tap @ 350K
B	1M Ω								Volume, Tap @ 750K
R3A	5M Ω	1/2	37-35	B-87	A47-5M Ω -S	Q11-141	U87	Not Req.	Treble
B	5M Ω			Not Req.	FS-3	Q11-141	U87	Not Req.	
R4A	5M Ω	1/2	37-55	B-87	A47-5M Ω -S	Q11-141	U87	Not Req.	Base
B	5M Ω			Not Req.	FS-3	Not Req.	Not Req.	Not Req.	
R5A	1M Ω	1/2	38-41	ADT-74	A47F5-1M Ω	Q19-137X	UT-443	Not Req.	Phono Level, Tap @ 900K
B	1M Ω			Not Req.	AK-1	Not Req.	Not Req.	Not Req.	
R6A	100K	1/2	38-32	B-40	A47-100K-S	Q11-128	U41	Not Req.	Phono Load
B	100K			Not Req.	FKS-1/4	Not Req.	Not Req.	Not Req.	

CHASSIS—TOP VIEW





A PHOTOFAC STANDARD NOTATION SCHEMATIC
 Howard W. Sams & Co., Inc. 1957



RESISTANCE READINGS

ITEM	TUBE	Pin 1	Pin 2	Pin 3	Pin 4	Pin 5	Pin 6	Pin 7	Pin 8	Pin 9
V1	12AX7	† 145K	2.2Meg	3300Ω	135Ω	135Ω	† 130K	2.2Meg	0Ω	135Ω
V2	12AX7	† 130K	100K	2200Ω	135Ω	135Ω	† 130K	0Ω	2200Ω	135Ω
V3	12AX7	† 120K	0Ω	2200Ω	135Ω	135Ω	† 120K	1Meg	1500Ω	135Ω
V4	EL84	NC	380K	0Ω	35K	35K	† 200Ω	NC	† 100Ω	† 100Ω
V5	EL84	NC	370K	0Ω	35K	35K	† 190Ω	NC	† 100Ω	† 100Ω
V6	EZ81	90Ω	NC	20K(Min)	35K	35K	NC	80Ω	NC	NC

ALL MEASUREMENTS TAKEN IN "LP" POSITION
 † MEASURED FROM PIN 3 OF V6
 NC NO CONNECTION

1. DC voltage measurements taken with vacuum tube voltmeter; AC voltages measured at 1000 ohms per volt.
2. Socket connections are shown as bottom views.
3. Measured values are from socket pin to common negative.
4. Line voltage maintained at 117 volts for voltage readings.
5. Nominal tolerance of component values makes possible a variation of ± 15% in voltage and resistance readings.
6. All controls at minimum, proper output load connected.

SEE PARTS LIST FOR ALTERNATE VALUE OR APPLICATION

PARTS LIST AND DESCRIPTIONS (Continued)

RESISTORS

All wattages 1/2 watt, or less, unless otherwise listed.

ITEM No.	RATING		REPLACEMENT DATA		NOTES	ITEM No.	RATING		REPLACEMENT DATA		NOTES
	OHMS	WATT	PILOT PART No.	IRC PART No.			OHMS	WATT	PILOT PART No.	IRC PART No.	
R7	100K			BTS-100K		R28	100K 5%		BTS-100K 5%		
R8	8900Ω			BTS-8900		R29	82K	1	BTA-82K		
R9	27K 5%			BTS-27K 5%		R30	2200Ω		BTS-2200		
R10	220K 5%			BTS-220K 5%		R31	100K 5%		BTS-100K 5%		
R11	88K 5%			BTS-88K 5%		R32	220K		BTS-220K		
R12	82K 5%			BTS-82K 5%		R33	39K		BTS-39K		
R13	330K			BTS-330K		R34	2200Ω		BTS-2200		
R14	8200Ω 5%			BTS-8200 5%		R35	1MΩ		BTS-1MΩ		
R15	100K 5%			BTS-100K 5%		R36	100K 5%		BTS-100K 5%		
R16	82K 5%			BTS-82K 5%		R37	1500Ω		BTS-1500		
R17	2.2MΩ			BTS-2.2MΩ		R38	270K		BTS-270K		
R18	68K	1		BTA-68K		R39	100K		BTS-100K		Note 1
R19	2.2MΩ			BTS-2.2MΩ		R40	270K 5%		BTS-270K 5%		
R20	82K	1		BTA-82K		R41	12K 5%		BTS-12K 5%		
R21	3300Ω			BTS-3300		R42	8900Ω		BTS-8900		
R22	82K			BTA-82K		R43	15K		BTS-15K		
R23	2200Ω	1		BTA-2200		R44	27K	1	BTA-27K		
R24	220K			BTS-220K		R45	22K	2	BTA-22K		
R25	220K 5%			BTS-220K 5%		R46	100Ω		BTA-100		
R26	150K			BTS-150K		R47	270Ω		BTS-270		
R27	4700Ω 5%			BTS-4700 5%		R48	270Ω		BTS-270		
						R49	47K		BTS-47K		

Note 1. Not used in some versions.

TRANSFORMER (POWER)

ITEM No.	RATING				REPLACEMENT DATA					
	PR.	SEC. 1	SEC. 2	SEC. 3	PILOT PART No.	Halderson PART No.	Merit PART No.	Stancor PART No.	Thordarson PART No.	Triod PART No.
T1	117VAC ② . 72A	540VCT ② . 108A	8.3VCT ② 2.5A	32VCT ② 320A	55-58					

TRANSFORMER (AUDIO OUTPUT)

ITEM No.	IMPEDANCE		REPLACEMENT DATA						NOTES
	PR.	SEC.	PILOT PART No.	Halderson PART No.	Merit PART No.	Stancor PART No.	Thordarson PART No.	Triod PART No.	
T2	7500Ω CT	16Ω Tap 8Ω, 4Ω	55-51	21405 ①			22866 ①	S-24A ①	① Fabricate mounting

PARTS LIST AND DESCRIPTIONS (Continued)

COMPONENT COMBINATIONS

ITEM No.	USE	DESCRIPTION	PILOT PART No.	REPLACEMENT DATA
K1	Tone Compensation	150MMF, 50MMF, 2600MMF, 2500MMF, 100K, 100K		Centralab PC-325

SELENIUM RECTIFIER

ITEM No.	RATING		REPLACEMENT DATA				NOTES
	CURRENT (Measured)	PILOT PART No.	FEDERAL PART No.	INTERNATIONAL PART No.	SARKIS TARZIAN PART No.		
M1	.320A	110-519	1017	C1B	904B		

MISCELLANEOUS

ITEM No.	PART NAME	PILOT PART No.	NOTES
M2	Pilot Light	68-10	#1847
M3	Switch	101-41	Rumble Filter (Slide Type SPST)
M4	Switch	101-41	Scratch Filter (Slide Type SPST)
M5	Switch	100-115	Selector (Rotary Wafer Type)

PHOTOFACT* Folder



H. H. SCOTT
MODEL 223



H. H. SCOTT
MODEL 223

TRADE NAME	H. H. Scott Model 223	
MANUFACTURER	Hermon Hosmer Scott, Inc., 385 Putnam Ave., Cambridge 39, Mass.	
TYPE SET	AC Operated Audio Amplifier	
TUBES (Four)	Types 12AX7 AF Amp. -Phase Inv., (2) 6L6GB Output, 5U4GA Rectifier	
POWER SUPPLY	110-120 Volts AC-60 Cycles.	RATING .97 Amp. @ 117 Volts AC

HOWARD W. SAMS & CO., INC. • Indianapolis 5, Indiana

"The listing of any available replacement part herein does not constitute in any case a recommendation, warranty or guaranty by Howard W. Sams & Co., Inc., as to the quality and suitability of such replacement part. The numbers of these parts have been compiled from information furnished to Howard W. Sams & Co., Inc., by the manufacturers of the particular type of replacement part listed."
"Reproduction or use, without express permission, of editorial or pictorial content, in any manner, is prohibited. No patent liability is assumed with respect to the use of the information contained herein. Copyright 1957 by Howard W. Sams & Co., Inc., Indianapolis 5, Indiana, U. S. of America. Copyright under international Copyright Union. All rights reserved under Inter-American Copyright Union (1910) by Howard W. Sams & Co., Inc." Printed in U. S. of America

G734

PARTS LIST AND DESCRIPTIONS

TUBES (GENERAL ELECTRIC, SYLVANIA)

ITEM No.	USE	TYPE	NOTES
V1	AF Amp. -Phase Inv. Output	12AX7 6L9GB	

ITEM No.	USE	TYPE	NOTES
V3	Output Rectifier	6L6GB 5U4GA	

ELECTROLYTIC CAPACITORS

ITEM No.	RATING		REPLACEMENT DATA						
	CAP.	VOLT.	H. H. Scott PART No.	AEROVOX PART No.	CORNELL-DUBIER PART No.	MALLORY PART No.	PYRAMID PART No.	SANGAMO PART No.	SPRAGUE PART No.
C1A	.20	475		AFB4-19-20	B0500	FP475	TMQ-123	Q-075	TVL-4634
B	.20	475			B0500			MT-4720	
C	.20	475							
D	20	475		PRS150V50	BR6015	TC49	TD-50-150	FM-1550	TVA-1414
C2	50	100							

FIXED CAPACITORS

Capacity values given in the rating column are in mfd. for Paper Capacitors, and in mmfd. for Mica and Ceramic Capacitors.

ITEM No.	RATING		REPLACEMENT DATA						NOTES
	CAP.	VOLT.	H. H. Scott PART No.	AEROVOX PART No.	CENTRALAB PART No.	CORNELL-DUBIER PART No.	ERIE PART No.	MALLORY PART No.	
C3	.0068	400		BPD-0068	D8-882	CUB8D88		GEM-6288	STM-068
C4	.0027	400		BPD-0025	DD-272			UC-531	5GA-T1
C6	100			BPD-0001	DD-101	G042	ED-100	UC-531	5BK-32
C8	20000			BPD-02	DD-303	K085	ED-02	UC-5333	4TM-847
C7	.047	400		BPD-05	DF-503	CUB4847	ED-330	GEM-4147	4TM-847
C8	330			BPD-00033	DD-331	G058		UC-5333	5GA-T33
C9	.047	400		BPD-05	DD-503	CUB4847		GEM-4147	4TM-847

CONTROLS

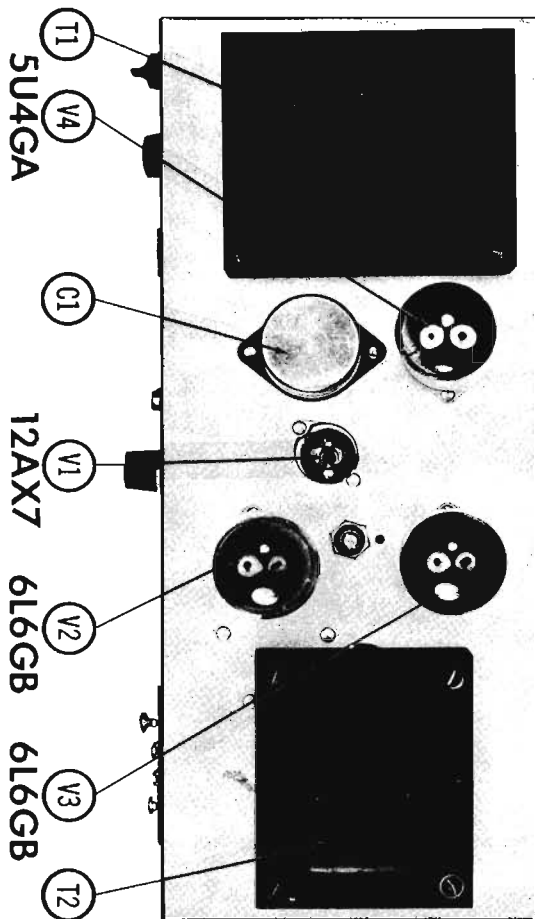
ITEM No.	RATING		REPLACEMENT DATA					INSTALLATION NOTES
	RESISTANCE	WATTS	H. H. Scott PART No.	CENTRALAB PART No.	CLAROSTAT PART No.	IRC PART No.	MALLORY PART No.	
R1A	500K	1/2		B-80	A47-500K-Z	Q3-133	U49	Level
B	Shaft			Not Req.	RS-2	Not Req.	Not Req.	Balance
R2A	50K	1/2		AB-31	A47-50K-S	Q1-123	SU-35	
B	Shaft			AK-1	FKS-1/4	RQ	Not Req.	

RESISTORS

All wattages 1/2 watt, or less, unless otherwise listed.

ITEM No.	RATING		REPLACEMENT DATA		NOTES	ITEM No.	RATING		REPLACEMENT DATA		NOTES
	OHMS	WATT	H. H. Scott PART No.	IRC PART No.			OHMS	WATT	H. H. Scott PART No.	IRC PART No.	
R3	2.2Meg			BTS-2.2Meg		R14	6800Ω			BTS-6800	
R4	100K	1		BTA-100K		R15	1000Ω			BTS-1000	
R5	250K			BTS-250K		R16	330K			BTS-330K	
R6	1800Ω			BTS-1800		R17	1000Ω			BTS-1000	
R7	12K			BTS-12K		R18	180Ω	5		PW7-150	
R8	2.2Meg			BTS-2.2Meg		R19	25K	10		1 3/4A-25K	
R9	100K	1		BTA-100K		R20	3300Ω	2		BTB-3300	
R10	270K			BTS-270K		R21A	33Ω	4			
R11	1500Ω			BTS-1500		B	160Ω	5			
R12	12K			BTS-12K		C	1800Ω	2			
R13	330K			BTS-330K							

CHASSIS—TOP VIEW



PARTS LIST AND DESCRIPTIONS (Continued)

TRANSFORMER (POWER)

ITEM No.	RATING				REPLACEMENT DATA						
	PRI.	SEC. 1	SEC. 2	SEC. 3	H. H. Scott PART No.	Halliderson PART No.	Merit PART No.	Stencor PART No.	Thorderson PART No.	Triad PART No.	
T1	117VAC Ⓢ 97A	700VCT Ⓢ 130A	5VAC Ⓢ 2A	5.3VCT Ⓢ 2.1A	TR-10-3	P0315	P-2953Ⓢ	PM8411 Ⓢ	2R07	R-168 Ⓢ	

Ⓢ Fabricate mounting.

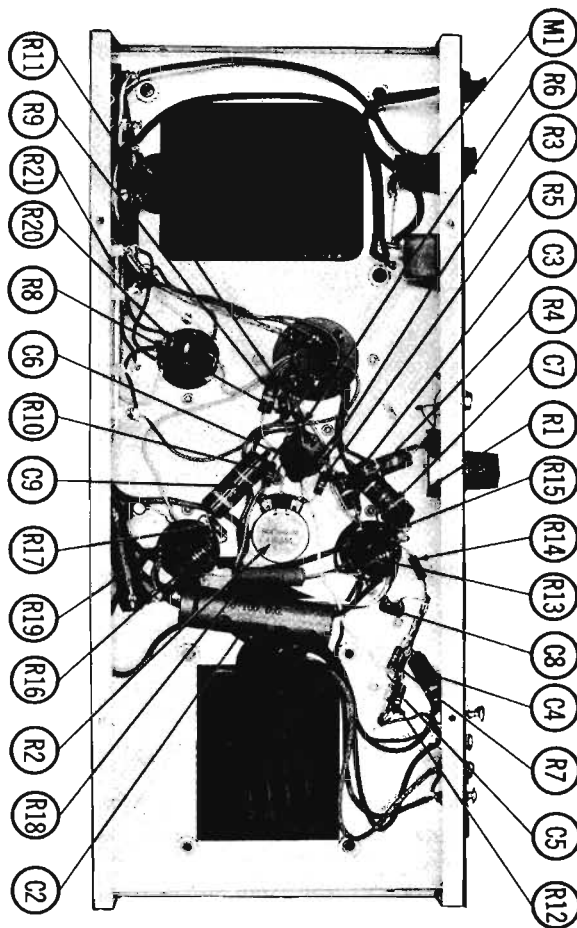
TRANSFORMER (AUDIO OUTPUT)

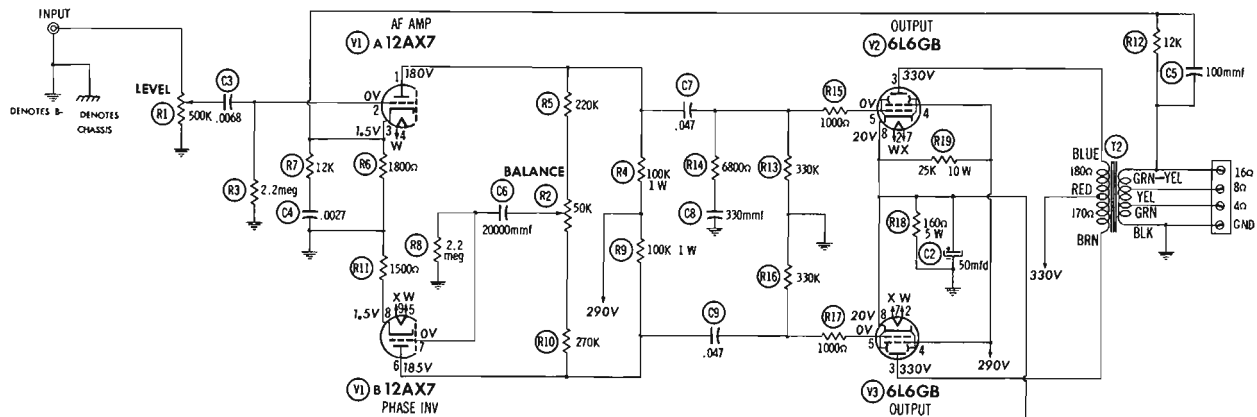
ITEM No.	IMPEDANCE		REPLACEMENT DATA							NOTES
	PRI.	SEC.	H. H. Scott PART No.	Halliderson PART No.	Merit PART No.	Stencor PART No.	Thorderson PART No.	Triad PART No.		
T2	7300Ω CT	16Ω tap Ⓢ 8Ω, 4Ω	TRA-10-14							

FUSES

ITEM No.	TYPE	RATING	REPLACEMENT DATA					
			H. H. Scott PART No.		LITTELFUSE PART No.		BUSS PART No.	
			FUSE	HOLDER	FUSE	HOLDER	FUSE	HOLDER
M1	3AG	2A			313002. (3AG S/B 2A)	343003.	MDL2	HKP

CHASSIS—BOTTOM VIEW



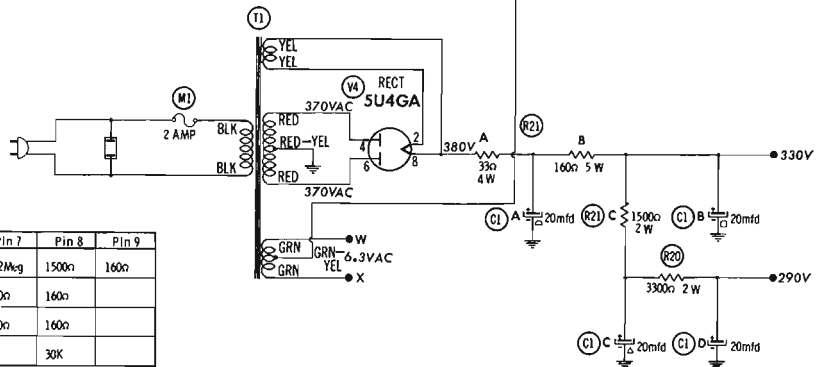


1. DC voltage measurements taken with vacuum tube voltmeter; AC voltages measured at 1000 ohms per volt.
2. Socket connections are shown as bottom views.
3. Measured values are from socket pin to common negative.
4. Line voltage maintained at 117 volts for voltage readings.
5. Nominal tolerance on component values makes possible a variation of $\pm 1\%$ in voltage and resistance readings.
6. All controls at minimum, proper output load connected.

RESISTANCE READINGS

ITEM	TUBE	Pin 1	Pin 2	Pin 3	Pin 4	Pin 5	Pin 6	Pin 7	Pin 8	Pin 9
V1	12AX7	† 85K	2.2Meg	1800 Ω	160 Ω	160 Ω	† 85K	2.2Meg	1500 Ω	160 Ω
V2	6L6GB	TP	160 Ω	† 375 Ω	† 5000 Ω	330K	TP	160 Ω	160 Ω	
V3	6L6GB	TP	160 Ω	† 365 Ω	† 5000 Ω	330K	TP	160 Ω	160 Ω	
V4	5U4GA	NC	30K	TP	40 Ω	NC	36 Ω	TP	30K	

† MEASURED FROM PIN 9 OF V4.
 NC NO CONNECTION.
 TP TIE POINT.





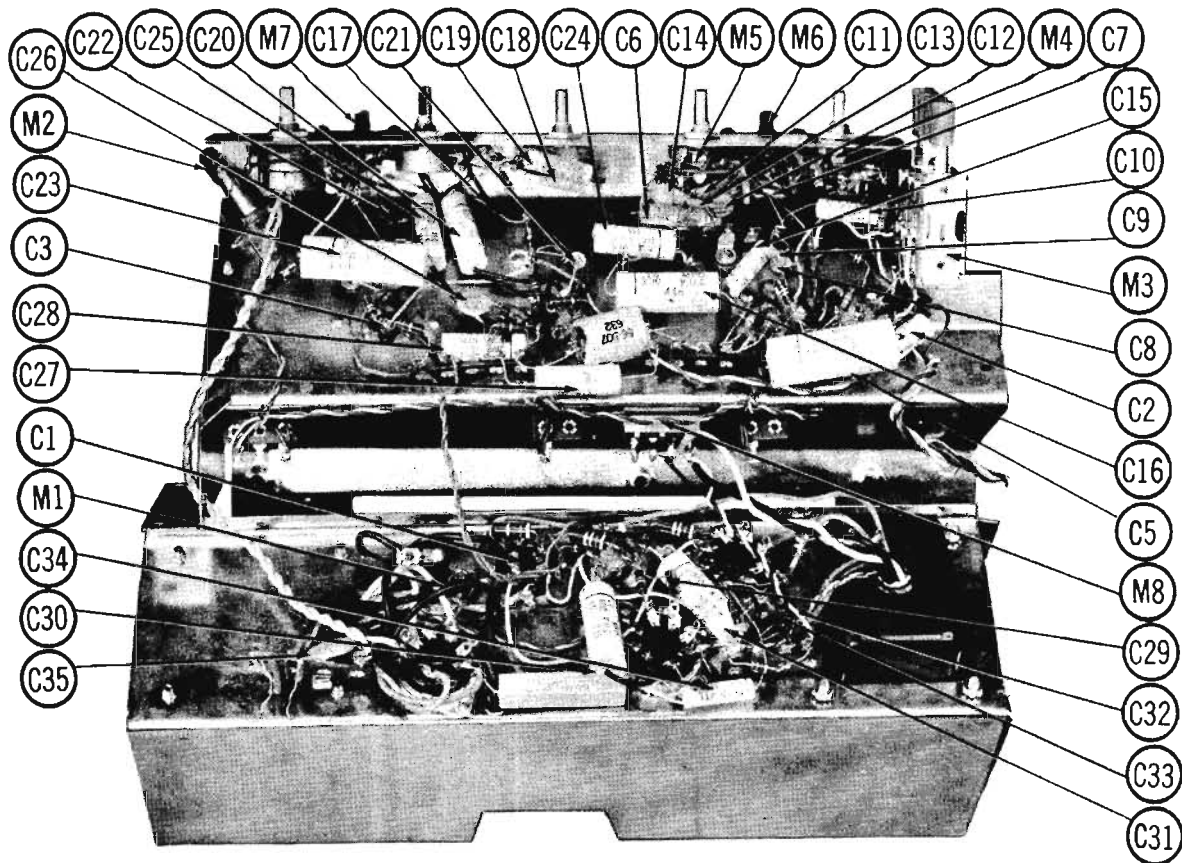
SHERWOOD
MODEL S-1000-II

TRADE NAME	Sherwood Model S-1000-II		
MANUFACTURER	Sherwood Electronic Laboratories, Inc., 2802 W. Cullom Ave., Chicago 18, Illinois		
TYPE SET	AC Operated 20 Watt Audio Amplifier		
TUBES (Seven)	Types EF86/6267 (or) Z729 Preamplifier, 12AX7/ECC83 Preamp. - Cath. Follower, 12AX7/ECC83 AF Amplifier, 6BA8A AF Amp. - Phase Inv., (2) 6L6GB Output, 5Y3GT Rectifier		
POWER SUPPLY	110-120 Volts AC-60 Cycles	RATING	.96 Amp. @ 117 Volts AC (100 Watts)

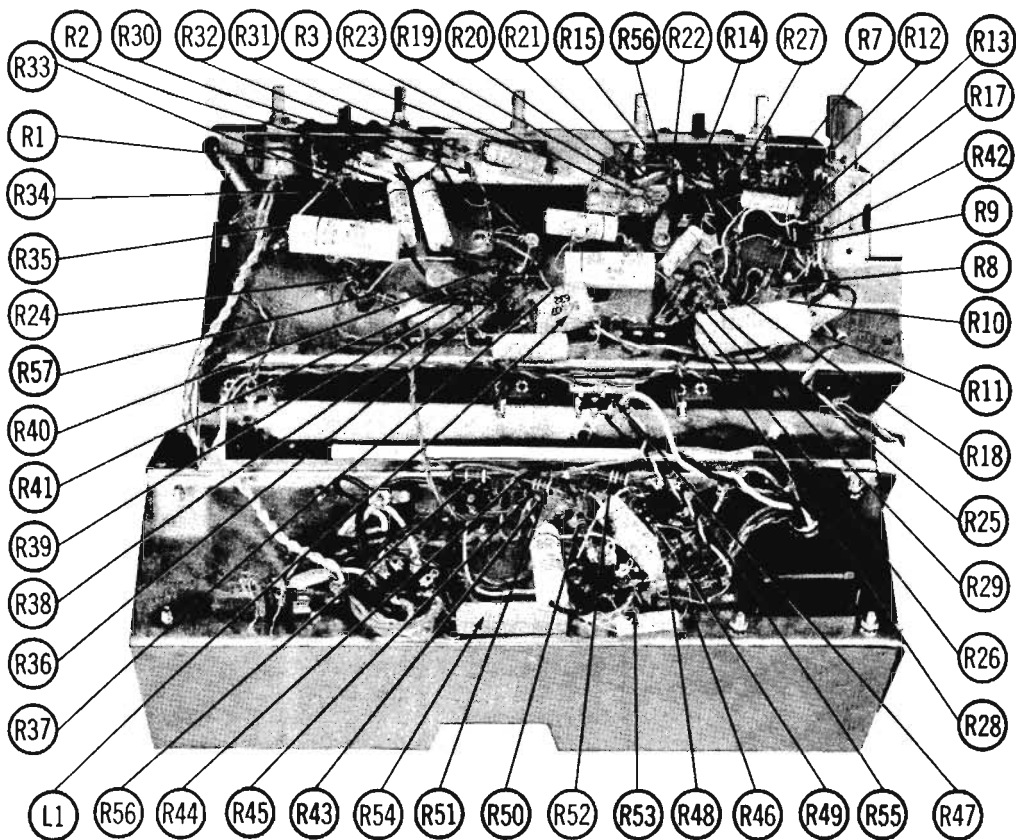
HOWARD W. SAMS & CO., INC. • Indianapolis 5, Indiana

The listing of any available replacement part herein does not constitute in any case a recommendation, warranty or guaranty by Howard W. Sams & Co., Inc., as to the quality and suitability of such replacement part. The numbers of these parts have been compiled from information furnished to Howard W. Sams & Co., Inc., by the manufacturers of H292

the particular type of replacement part listed. Reproduction or use, without express permission, of editorial or pictorial content, in any manner, is prohibited. No patent liability is assumed with respect to the use of the information contained herein. © 1958 Howard W. Sams & Co., Inc., Indianapolis 5, Indiana. Printed in U.S. of America



CHASSIS BOTTOM VIEW-CAPACITOR IDENTIFICATION



CHASSIS BOTTOM VIEW-RESISTOR IDENTIFICATION

PARTS LIST AND DESCRIPTIONS

TUBES (GENERAL ELECTRIC, SYLVANIA)

ITEM No.	USE	TYPE	ITEM No.	USE	TYPE
V1	Preamplifier	6F86/6267 Note 1	V5	Output	6L80B
V2	Preamp. - Cath. Follower	12AX7/ECC83	V6	Output	6L6GB
V3	AF Amplifier	12AX7/6CC83	V7	Rectifier	5Y3GT
V4	AF Amp. - Phase Inv.	6BA8A			

Note 1. Alternate Type Z729

ELECTROLYTIC CAPACITORS

ITEM No.	RATING		REPLACEMENT DATA						
	CAP.	VOLT.	SHERWOOD PART No.	AEROVOX PART No.	CORNELL-DUBILIER PART No.	MALLOY PART No.	PYRAMID PART No.	SANGAMO PART No.	SPRAGUE PART No.
CLA	40	400		AFH4-85-25	D0855	FP431-3		Q-30	R2526 *
B	40	400							
C	5	350							
D	50	50		SRE6V50	BBR50-6	TT6X50	TD-50-6	MMT-650	TE-1100
C2	50	5		AFH2-47	B0370	FP231	TMD-41	D-200	R2322 *
CSA	10	400							
B	15	400							

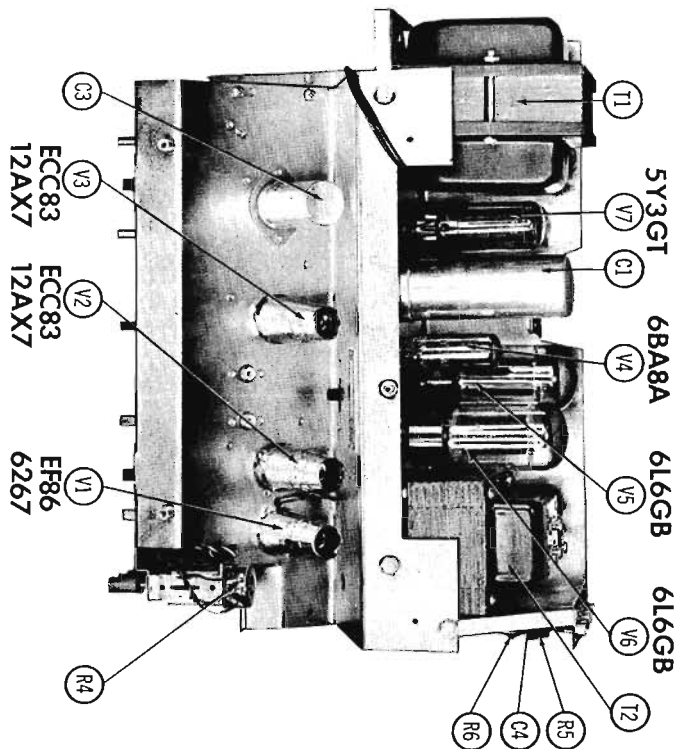
* Non Catalog Item

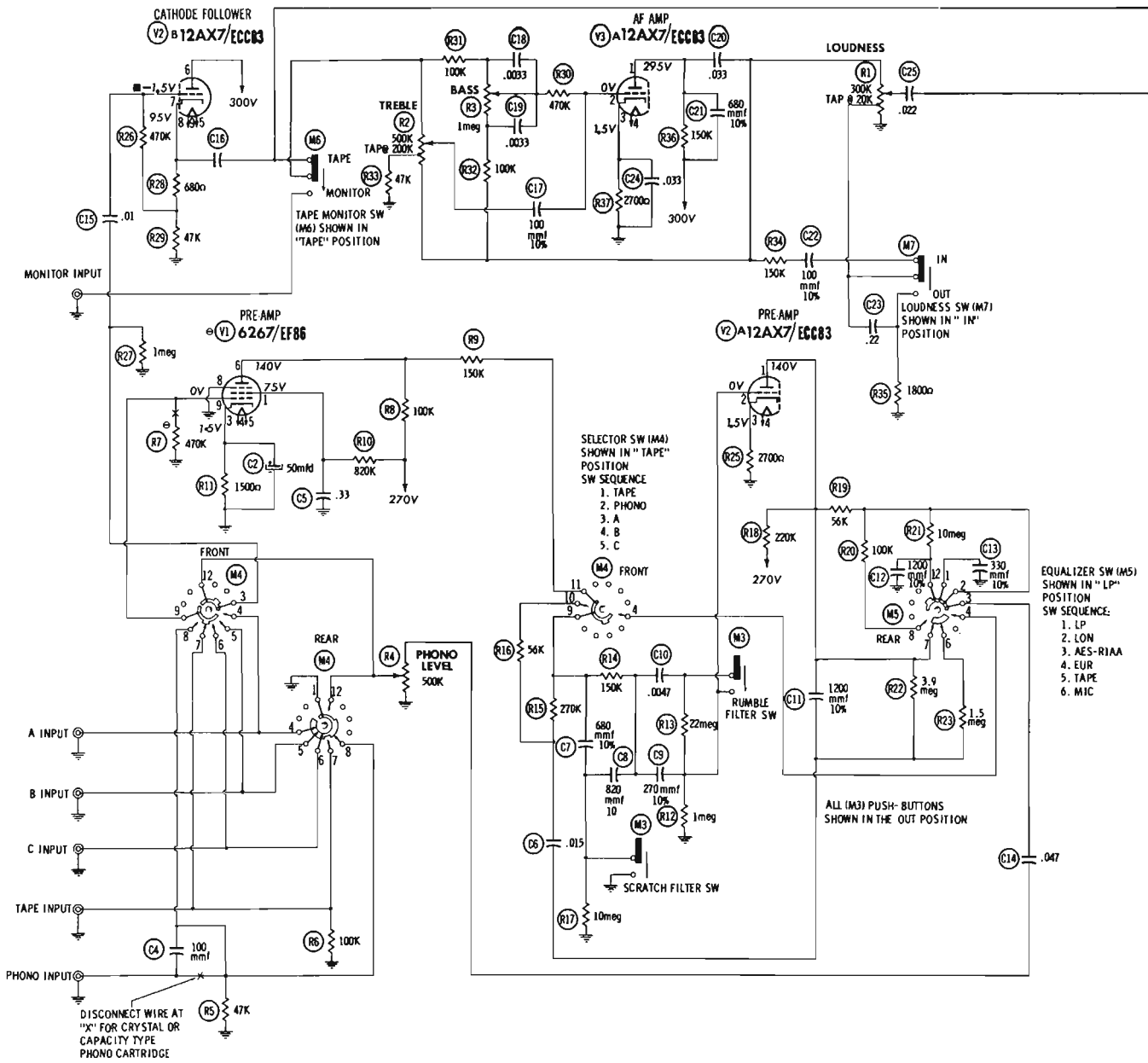
FIXED CAPACITORS

Capacity values given in the rating column are in mfd. for Paper Capacitors, and in mmfd. for Mica and Ceramic Capacitors.

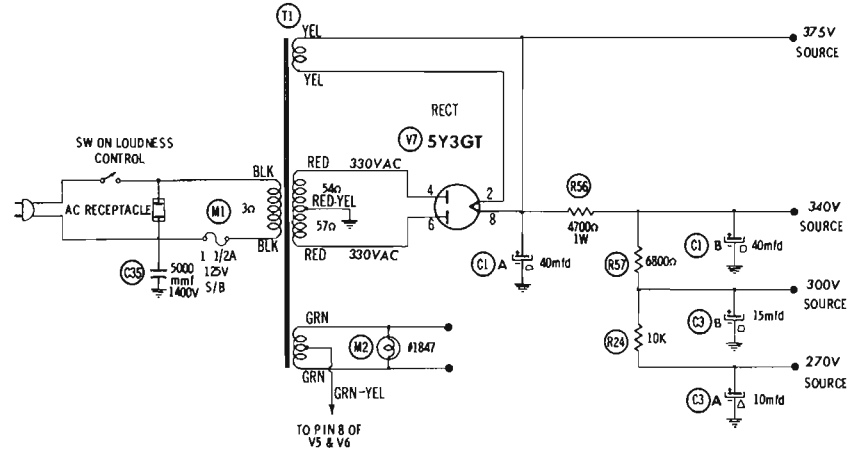
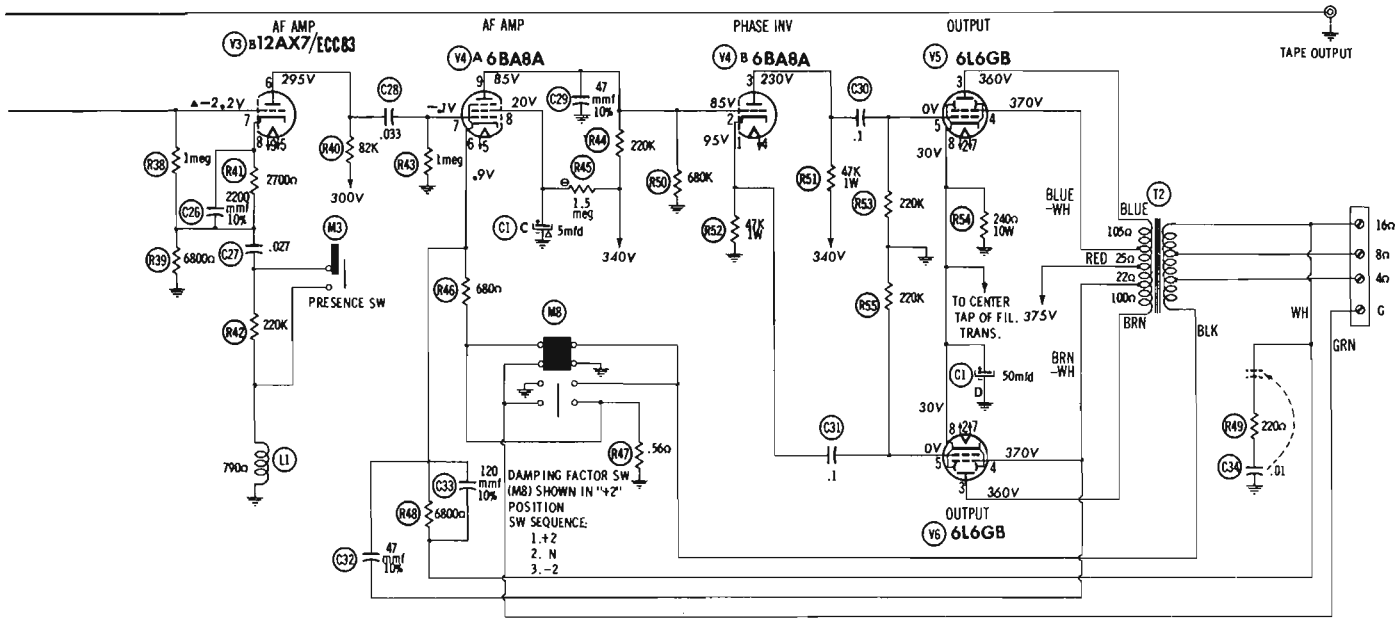
ITEM No.	RATING		REPLACEMENT DATA						NOTES	
	CAP.	VOLT.	SHERWOOD PART No.	AEROVOX PART No.	CENTRALAB PART No.	CORNELL-DUBILIER PART No.	ERIE PART No.	MALLOY PART No.		SPRAGUE PART No.
C4	100			I488-0001	D8-101	5W571	ED-100	MC235	1FM-31	
C5	.33	200		P288N-33				GEM-2033	4TM-315	
C6	.015	400		P488N-015	DD18-153	CUB6815	ED-015	GEM-4115	MS-368	10%
C7	880				D8-681	IR5T88	ED-680		MS-302	10%
C8	820					IR5T82	ED-820		MS-327	10%
C9	270					5R5T27	ED-270		6TM-D47	10%
C10	.0047	400		P488N-0047	D8-271	CUB6D47	GP-4700	GEM-6247	8TM-212	10%
C11	1200				D8-472	IR5D12	ED-1200		MS-212	10%
C12	1200					IR5D12	ED-1200		MS-212	10%
C13	330					5R5T33	ED-330		MS-333	10%
C14	.047	400		P488N-047	D8-331	CUB4547		GEM-4147	4TM-847	
C15	.01	400		P488N-01	DF-103	CUB4S1	GP-10000	GEM-411	4TM-81	
C16	.15	200		P288N-15		CUB2P15		GEM-2015	2TM-P15	
C17	100			I489-0001	D8-101	22R971	CY10C101K	MCB235	MS-31	10%
C18	.0033	400		P488N-0033	D8-332	CUB6D33	GP-3300	GEM-6233	6TM-D33	
C19	.0033	400		P488N-0033	D8-332	CUB6D33	GP-3300	GEM-6233	6TM-D33	
C20	.033	400		P488N-033	DF-303	CUB6833		GEM-4133	6TM-333	
C21	880				D8-881	IR5T88	ED-880		MS-368	10%
C22	100			I489-0001	D8-101	22R571	CY10C101K	MCB235	MS-31	10%
C23	.22	200		P288N-22		CUB2P22		OSM-2022	2TM-P22	
C24	.033	400		P488N-033	DF-303	CUB6833		GEM-4133	6TM-333	
C25	.022	400		P488N-022	DD-203	CUB4S22	ED-02	GEM-4122	4TM-822	
C26	2200					IR5D22			MS-222	10%
C27	.027	400		P488N-025		CUB6S3		GEM-413	4TM-63	
C28	.033	400		P488N-033	DF-303	CUB6833		GEM-4133	6TM-333	
C29	47			I469-00047	D8-470	22R647	CY10C470K	ZT-5447	MS-447	10%
C30	.1	400		P488N-1	DF-104	CUB4P1		GEM-401	4TM-P1	
C31	.1	400		P488N-1	DF-104	CUB4P1		GEM-401	4TM-P1	
C32	47			I469-00047	D8-470	22R5Q47	CY10C470K	ZT-5447	MS-447	10%
C33	130			I469-00012	D8-121	22R5T12	ED-120		MS-312	10%
C34	.01	400		P488N-01	D8-103	CUB4S1	GP-10000	GEM-411	4TM-81	
C35	5000	1400		DAC-8	DD30-502	HVE18D5	HD15-4700	GEM-1825	BL-D50	

CHASSIS—TOP VIEW





A PHOTOFAC STANDARD NOTATION SCHEMATIC
 Howard W. Sams & Co., Inc. 1958



RESISTANCE READINGS

ITEM	TUBE	Pin 1	Pin 2	Pin 3	Pin 4	Pin 5	Pin 6	Pin 7	Pin 8	Pin 9
V1	EF86 / 6267	1840K	0Ω	1500Ω	240Ω	240Ω	1120K	0Ω	0Ω	85K
V2	12AX7 / ECC83	† 240K	1meg	2700Ω	240Ω	240Ω	† 11K	520K	47K	240Ω
V3	12AX7 / ECC83	† 160K	670K	2700Ω	240Ω	240Ω	† 93K	1meg	9500Ω	240Ω
V4	6BA8A	47K	† 160K	1.52K	240Ω	240Ω	680K	1meg	† 2.2meg	† 160K
V5	6L6GB	0Ω	240Ω	† 130Ω	† 25Ω	220K	240Ω	240Ω	240Ω	
V6	6L6GB	0Ω	240Ω	† 122Ω	† 22Ω	220K	0Ω	240Ω	240Ω	
V7	5Y3GT	NC	20K(1in)	NC	54Ω	NC	57Ω	TP	20K(1in)	

† MEASURED FROM PIN 8 OF V7
 • MEASURED FROM PIN 8 OF V2
 † MEASURED FROM PIN 8 OF V3
 NC NO CONNECTION
 TP TIE POINT

- DC voltage measurements taken with vacuum tube voltmeter; AC voltages measured at 1000 ohms per volt.
- Socket connections are shown as bottom views.
- Measured values are from socket pin to common negative.
- Line voltage maintained at 117 volts for voltage readings.
- Nominal tolerance of component values makes possible a variation of ± 15% in voltage and resistance readings.
- All controls at minimum, proper output load connected.

⊗ SEE PARTS LIST FOR ALTERNATE VALUE OR APPLICATION

PARTS LIST AND DESCRIPTIONS (Continued) CONTROLS

ITEM No.	RATING		REPLACEMENT DATA					INSTALLATION NOTES
	RESISTANCE	WATTS	SHERWOOD PART No.	CENTRALAB PART No.	CLAROSTAT PART No.	IRC PART No.	MALLORY PART No.	
R1A	300K	↓	67LAB3					Loudness, Tap @ 20K
R2A	500K	↓	670AB1	B7-65 Not Req.	A47F5-500K FS-3	QJ8-133X Not Req.	UT-491 Not Req.	Treble, Tap @ 200K
R3A	1meg	↓	670AB2	B-69 Not Req.	A47-1mag-S FS-3	QJ1-137 Not Req.	U54 Not Req.	Bass
R4	500K	↓	670AB7					Phono Level

RESISTORS

All wattages 1/2 watt, or less, unless otherwise listed.

ITEM No.	RATING		SHERWOOD PART No.	NOTES	ITEM No.	RATING		SHERWOOD PART No.	NOTES
	OHMS	WATT				OHMS	WATT		
R5	47K			Note 1	R31	100K			Note 2
R6	100K				R32	100K			
R7	470K				R33	47K			
R8	100K				R34	150K			
R9	150K				R35	1800Ω			
R10	820K				R36	150K			
R11	1500Ω				R37	2700Ω			
R12	1meg				R38	1meg			
R13	22meg				R39	6800Ω			
R14	150K				R40	82K			
R15	270K			R41	2700Ω				
R16	56K			R42	220K				
R17	10meg			R43	1meg				
R18	250K			R44	220K				
R19	56K			R45	1.5meg				
R20	100K			R46	680Ω				
R21	10meg			R47	0.56Ω				
R22	3.9meg			R48	6800Ω				
R23	1.5meg			R49	220Ω				
R24	10K			R50	680K				
R25	2700Ω			R51	47K	1			
R26	470K			R52	47K	1			
R27	1meg			R53	220K	10			
R28	680Ω			R54	240Ω				
R29	47K			R55	220K				
R30	470K			R56	4700Ω				
				R57	6800Ω				

Note 1. Not used in some versions.

Note 2. Some versions may use 2.2meg.

TRANSFORMER (POWER)

ITEM No.	RATING				REPLACEMENT DATA						
	PRI.	SEC. 1	SEC. 2	SEC. 3	SHERWOOD PART No.	Hollidson PART No.	Merit PART No.	Stancor PART No.	Thordorson PART No.	Tried PART No.	
T1	117V @ .98A	100VCT @ .125A	5V @ 2A	6.3V @ 2.0A	922AB1						

PARTS LIST AND DESCRIPTIONS (Continued) TRANSFORMER (AUDIO OUTPUT)

ITEM No.	IMPEDANCE	REPLACEMENT DATA						NOTES
		SHERWOOD PART No.	Hollidson PART No.	Merit PART No.	Stancor PART No.	Thordorson PART No.	Tried PART No.	
T2	5500Ω CT	16Ω Tap @ 8Ω, 4Ω	920AB1					

COILS

ITEM No.	USE	REPLACEMENT DATA				NOTES
		SHERWOOD PART No.	MEISSNER PART No.	MERIT PART No.	MILLER PART No.	
L1	Tone Choke					140 Millihenries

FUSES

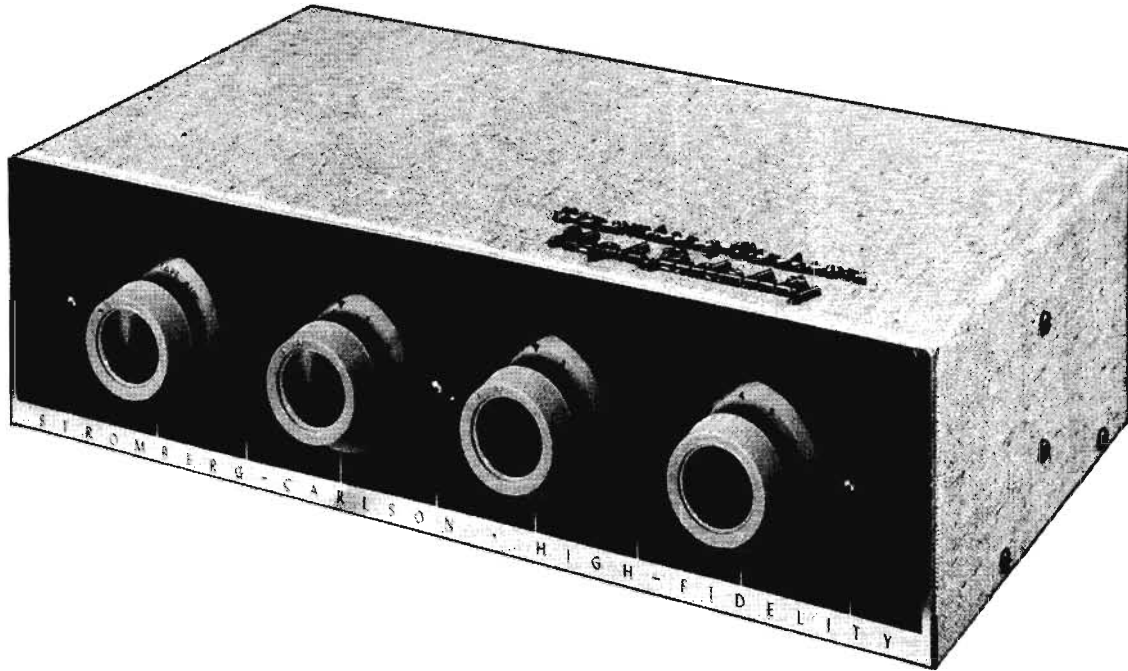
ITEM No.	TYPE	RATING	REPLACEMENT DATA				BUSS PART No.	
			SHERWOOD PART No.		LITTELFUSE PART No.		BUSS PART No.	
			FUSE	HOLDER	FUSE	HOLDER	FUSE	HOLDER
M1	3AG	1 1/2A 25V S/B			3190L 5 (3AG) 1 1/2A 125V S/B	342003	MDL1 1/2	HXP

MISCELLANEOUS

ITEM No.	PART NAME	SHERWOOD PART No.	NOTES
M2	Pilot Lamp		#1847
M3	Switch Assy		Presence, Scratch Filter, Rumble Filter, Phono Level (Slide Type)
M4	Switch		Selector (Rotary Wafer Type)
M5	Switch		Equalization (Rotary Wafer Type)
M6	Switch		Tap Monitor (Slide Type SPDT)
M7	Switch		Loudness (Slide Type SPDT)
M8	Switch		Damping Factor (Slide Type DPDT)

WIRING DATA

General-use Unshielded Hook-up Wire	Use BELDEN No. 8530 (Solid) Available in Ten Colors
Power Cord	Use BELDEN No. 8524 (Stranded) Available in Ten Colors 1745-B (8 Ft. Length) 1725-K (7 1/2 Ft. Length)
Low-Loss Shielded Lead (Interconnecting)	Use BELDEN No. 5401
Phono Pick-up Arm Cable	Use BELDEN No. 8430 (Two Conductor - Twisted)



**STROMBERG-CARLSON
 MODEL AR-411**

TRADE NAME	Stromberg-Carlson Model AR-411		
MANUFACTURER	Stromberg-Carlson Co., Service Dept., 1700 University Ave., Rochester 10, N. Y.		
TYPE SET	AC Operated 4 Channel Audio Amplifier		
TUBES (6lx)	Types 12AT7 Phono Preamplifier, 12AX7 AF Amplifier, 6AV6 Phase Inverter, (2) 6CM6 Output, 5Y3GT Rectifier		
POWER SUPPLY	105-125 Volts AC-50/60 Cycles	RATING	.68 Amp. @ 117 Volts AC (68 Watts)

HOWARD W. SAMS & CO., INC. • Indianapolis 5, Indiana

The listing of any available replacement part herein does not constitute in any case a recommendation, warranty or guaranty by Howard W. Sams & Co., Inc., as to the quality and suitability of such replacement part. The numbers of these parts have been compiled from information furnished to Howard W. Sams & Co., Inc., by the manufacturers of H237

the particular type of replacement part listed. Reproduction or use, without express permission, of editorial or pictorial content, in any manner, is prohibited. No patent liability is assumed with respect to the use of the information contained herein. © 1957 Howard W. Sams & Co., Inc., Indianapolis 5, Indiana. Printed in U.S. of America

PARTS LIST AND DESCRIPTIONS

TUBES (GENERAL ELECTRIC, SYLVANIA)

ITEM No.	USE	TYPE	NOTES	ITEM No.	USE	TYPE	NOTES
V1	Phono Preamplifier	12AT7		V4	Output	6CM6	
V2	AF Amplifier	12AX7		V5	Output	6CM6	
V3	Phase Inverter	6AV6		V6	Rectifier	5Y3GT	

ELECTROLYTIC CAPACITORS

ITEM No.	RATING		REPLACEMENT DATA							
	CAP.	VOLT.	Stromberg-Carlson PART No.	AEROVOX PART No.	CORNELL DUBILIER PART No.	MALLORY PART No.	PYRAMID PART No.	SANGAMO PART No.	SPRAGUE PART No.	
C1A	.40	450	35590			FP447		Q-060	TVL-4705.8	
B	.30	350				TC47		MT-0550		
C	.15	300								
D	.50	50								
C2A	.20	450	11169	AFH2-69	B0500	FP234	TMD-61	D-225	TVL-2935	
B	.20	450								
C3	.50	6	111815-000	PRS25V50	BBR50-6	TC29	TD-50-6	MMT-850	TVA-1100	

FIXED CAPACITORS

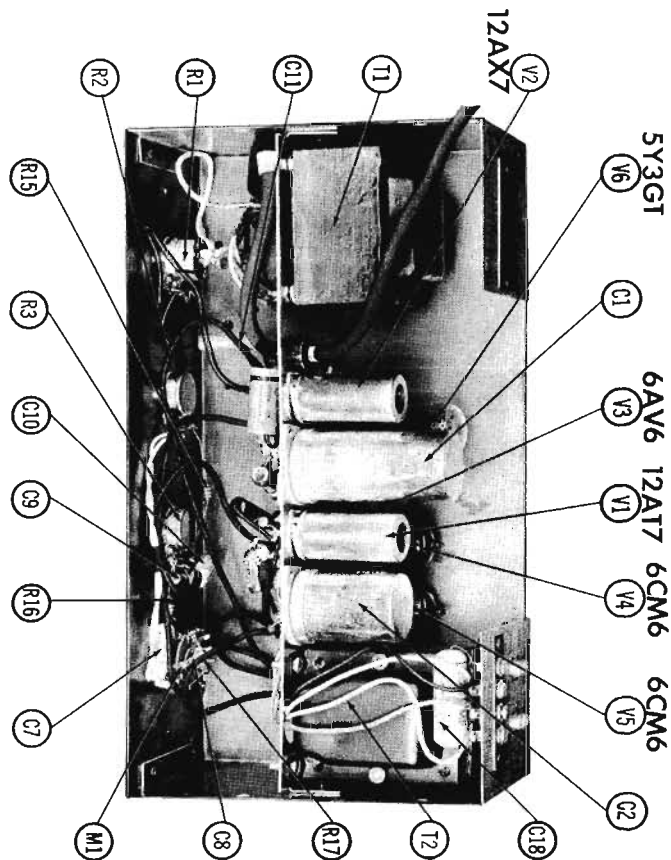
Capacity values given in the rating column are in mfd. for Paper Capacitors, and in mmd. for Mica and Ceramic Capacitors.

ITEM No.	RATING		REPLACEMENT DATA								NOTES
	CAP.	VOLT.	Stromberg-Carlson PART No.	AEROVOX PART No.	CENTRALAB PART No.	CORNELL DUBILIER PART No.	ERIE PART No.	MALLORY PART No.	SPRAGUE PART No.		
C4	.01	800		P888N-01	D6-103	CUB891	GP-10000	GEM-611	8TM-S1		
C5	.470			SI 470	D6-471	LT6T47	GP-470	UC-5347	5GA-T47		
C6	.220			SI 220	D6-221	LT6T22	GP-220	UC-5322	5GA-T22		
C7	.022	400		P488N-022	DD-203	CUB4822	DD-02	GEM-4122	4TM-522		
C8	.470			SI 470	D6-471	LT6T47	GP-470	UC-5347	5GA-T47		
C9	.470			SI 470	D6-471	LT6T47	GP-470	UC-5347	5GA-T47		
C10	.0047	800		P888N-0047	D6-472	CUB6D47	GP-4700	GEM-6247	8TM-D47		
C11	.022	400		P488N-022	DD-203	CUB4822	DD-02	GEM-4122	4TM-522		
C12	.27			SI 27	D6-270	LT6Q27	GP-27	UC-5427	5GA-Q27		
C13	.047	400		P488N-047	DF-503	CUB4847		GEM-4147	4TM-S47		
C14	.220			SI 220	D6-221	LT6T22	GP-220	UC-5322	5GA-T22		
C15	.047	400		P488N-047	DF-503	CUB4847		GEM-4147	4TM-S47		
C16	.047	400		P488N-047	DF-503	CUB4847		GEM-4147	4TM-S47		
C17	.22	400		P488N-22		CUB4P22		GEM-4022	4TM-P22		

CONTROLS

ITEM No.	RATING		REPLACEMENT DATA					INSTALLATION NOTES
	RESISTANCE	WATTS	Stromberg-Carlson PART No.	CENTRALAB PART No.	CLAROSTAT PART No.	IRC PART No.	MALLORY PART No.	
R1A	500K	1/2	145638	B-80-S	A47-500K-S	Q3-133	U48	Volume
B	Shaft			Not Req.	FS-3	Not Req.	Not Req.	
C	Switch			Not Req.	SWE-12	76-1	US-26	
R2A	1Meg	1/2	145639	B-89	A47-1Meg-S	Q1-137	U54	Treble
B	Shaft			Not Req.	FS-3	Not Req.	Not Req.	
R3A	5Meg	1/2	145630	9-87	A47-5Meg-2	Q3-141	U85	Bass
B	Shaft			Not Req.	FS-3	Not Req.	Not Req.	
R4A	100Ω	2	145632	WN-101	A43-100	W1-084	RI00L	Rum Adj. (Wire Wound)
B	Shaft			Not Req.	FKS-1/4	SK6-K11	Not Req.	

CHASSIS—TOP VIEW



PARTS LIST AND DESCRIPTIONS (Continued)

RESISTORS

All wattages 1/2 watt, or less, unless otherwise listed.

ITEM No.	RATING		Stromberg-Carlson PART No.	NOTES	ITEM No.	RATING		Stromberg-Carlson PART No.	NOTES
	OHMS	WATT				OHMS	WATT		
R5	1Meg				R20	470K			
R6	1Meg				R21	6500Ω			
R7	1Meg				R22	56K			
R8	47K				R23	880K			
R9	220K				R24	3.3Meg			
R10	5600Ω				R25	22K			
R11	590K				R26	47K			
R12	470K				R27	47K			
R13	220K				R28	100K			
R14	5600Ω				R29	100K	5		
R15	47K				R30	250Ω			
R16	100K				R31	2000Ω	5		
R17	470K				R32	22K			
R18	220K				R33	10K			
R19	8800Ω				R34	100K			

TRANSFORMER (POWER)

ITEM No.	RATING				REPLACEMENT DATA					
	PR. SEC.	SEC. 1	SEC. 2	SEC. 3	Stromberg-Carlson PART No.	Hollidorsen PART No.	Merit PART No.	Stancor PART No.	Thordorsen PART No.	Triad PART No.
T1	117VAC ① .88A	80VCT ② .170A	5VAC ③ 2A	4.5VAC ④ 1.6A	161708 ①					

① Used in series 105A and later. Part #161709 used in series 105 and earlier.

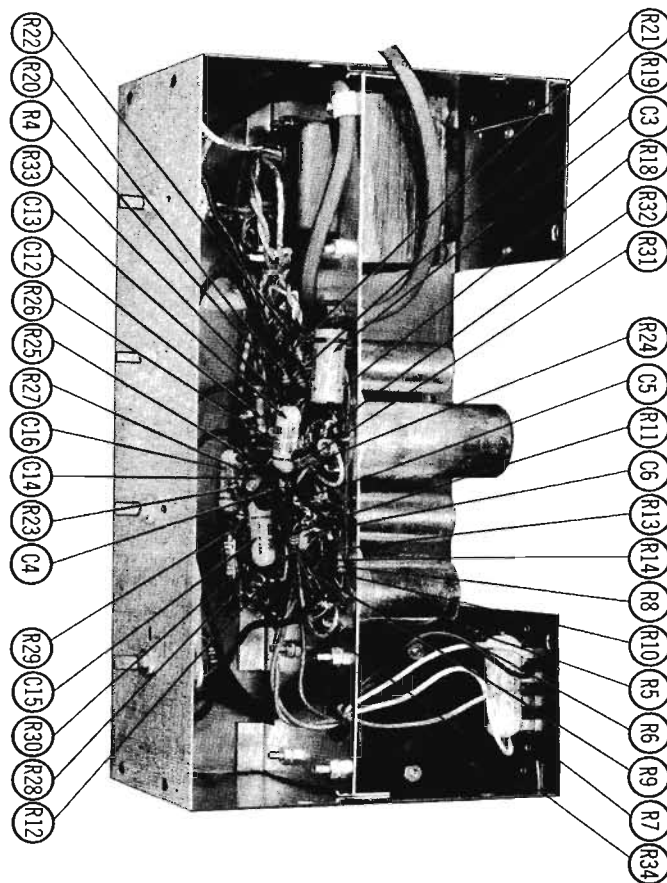
TRANSFORMER (AUDIO OUTPUT)

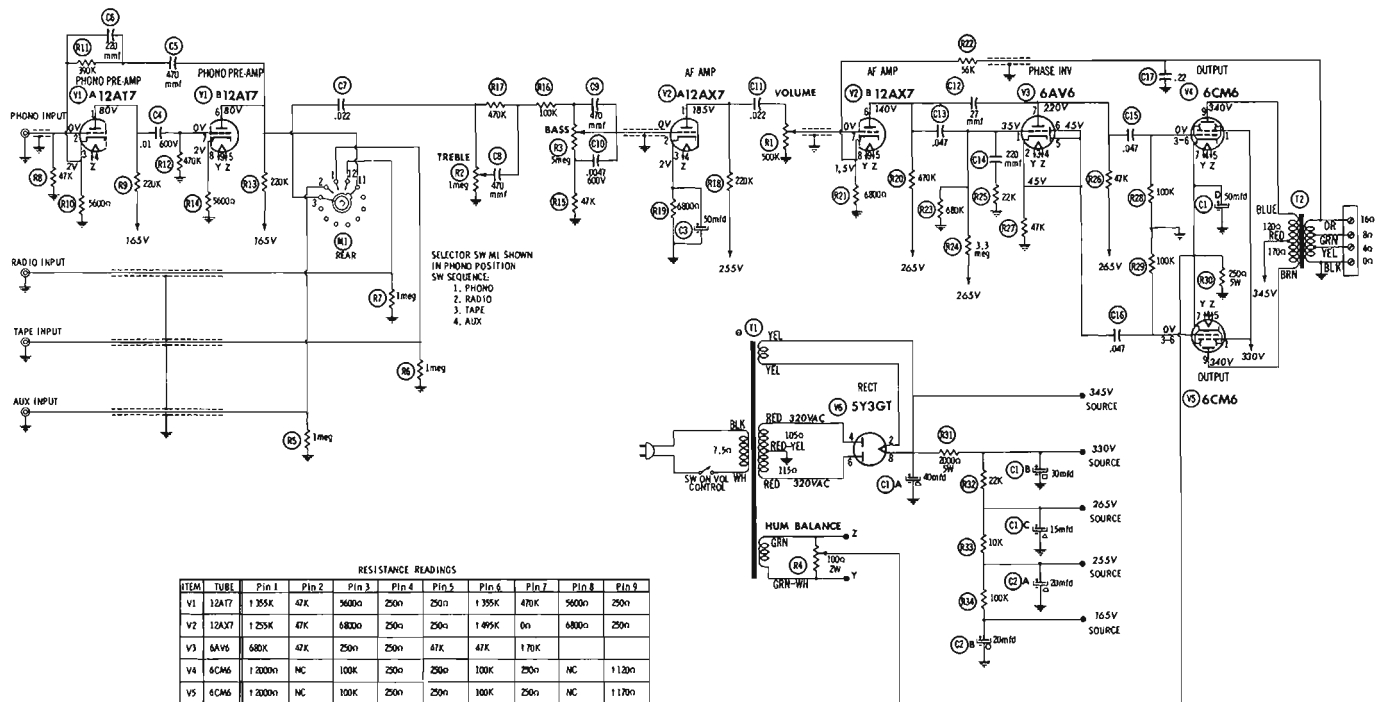
ITEM No.	IMPEDANCE		REPLACEMENT DATA					NOTES	
	PR. SEC.	CT	Stromberg-Carlson PART No.	Hollidorsen PART No.	Merit PART No.	Stancor PART No.	Thordorsen PART No.		Triad PART No.
T2	6500Ω	18Ω Tap 8Ω, 4Ω	161345			A-3304	22888		

MISCELLANEOUS

ITEM No.	PART NAME	Stromberg-Carlson PART No.	NOTES
M1	Switch	158682	Selector (Rotary Wafer Type)

CHASSIS—BOTTOM VIEW





RESISTANCE READINGS

ITEM	TUBE	Pin 1	Pin 2	Pin 3	Pin 4	Pin 5	Pin 6	Pin 7	Pin 8	Pin 9
V1	12A17	1.35K	47K	5600Ω	250Ω	1.355K	470K	5600Ω	250Ω	
V2	12AX7	1.255K	47K	6800Ω	250Ω	250Ω	1.495K	0Ω	6800Ω	250Ω
V3	6AV6	680K	47K	250Ω	250Ω	47K	47K	1.70K		
V4	6CM6	1.200Ω	NC	100K	250Ω	250Ω	100K	250Ω	NC	1.12Ω
V5	6CM6	1.200Ω	NC	100K	250Ω	250Ω	100K	250Ω	NC	1.17Ω
V6	5Y3GT	NC	20K(10Ω)	NC	105Ω	NC	115Ω	NC	20K(10Ω)	

ALL MEASUREMENTS TAKEN IN "PHONO" POSITION

1. MEASURED FROM PIN 8 OF V6

NC NO CONNECTION

© RLC PARTS LIST FOR ALTERNATE
VALUE OR APPLICATION

1. DC voltage measurements taken with vacuum tube voltmeter;

AC voltages measured at 1000 ohms per volt.

2. Socket connections are shown at bottom views.

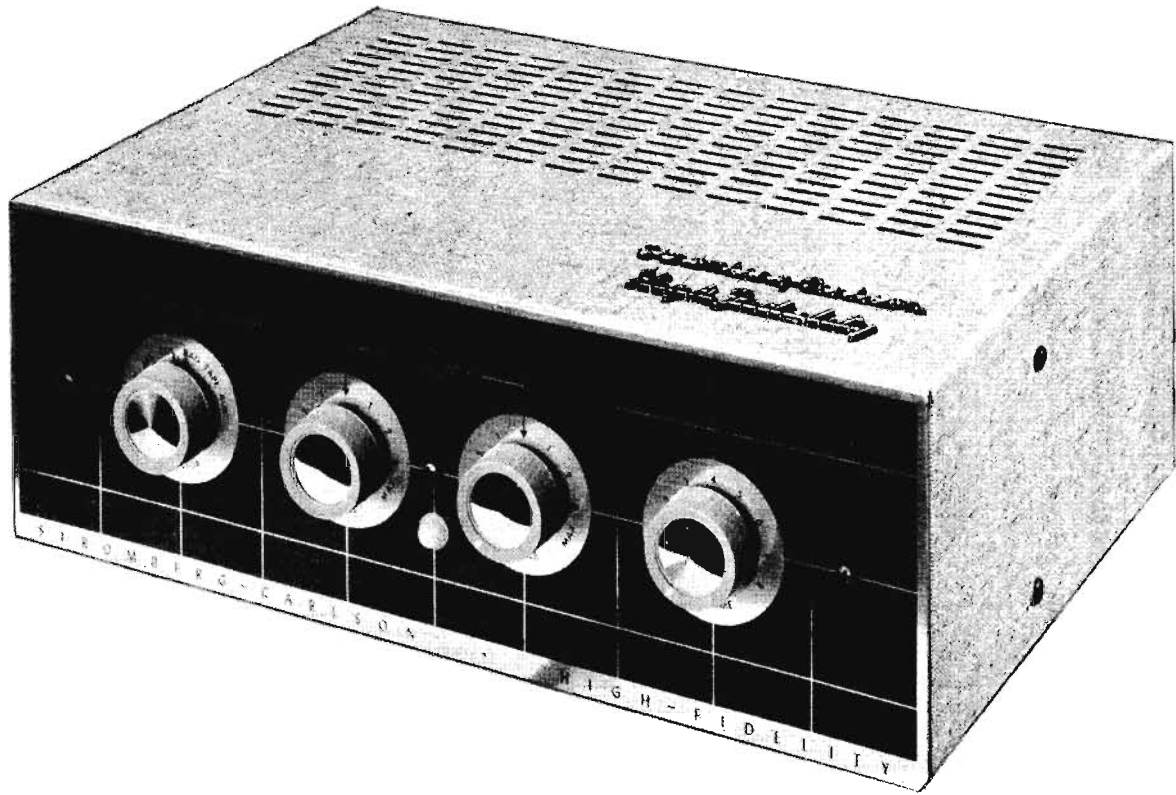
3. Measured values are from socket pin to common negative.

4. Line voltage multi-tapped at 117 volts for voltage readings.

5. Nominal tolerance of component values makes possible a

variation of ±15% in voltage and resistance readings.

6. All controls at minimum, proper output load connected.



**STROMBERG-CARLSON
 MODEL AR-419**

TRADE NAME	Stromberg-Carlson Model AR-419		
MANUFACTURER	Stromberg-Carlson Co., Service Dept., 1700 University Ave., Rochester 10, N. Y.		
TYPE SET	AC Operated Audio Amplifier		
TUBES (Six)	Types 6SJ7 AF Amplifier, 12AT7 AF Amplifier, 12AT7 AF Amp. - Phase Inv., (2) 6L6GB Output, 5U4GB Rectifier		
POWER SUPPLY	110-120 Volts AC-60 Cycles	RATING	1.1 Amp. @ 117 Volts AC (110 Watts)

HOWARD W. SAMS & CO., INC. • Indianapolis 5, Indiana

The listing of any available replacement part herein does not constitute in any case a recommendation, warranty or guaranty by Howard W. Sams & Co., Inc., as to the quality and suitability of such replacement part. The numbers of these parts have been compiled from information furnished to Howard W. Sams & Co., Inc., by the manufacturers of H233

the particular type of replacement part listed. Reproduction or use, without express permission, of editorial or pictorial content, in any manner, is prohibited. No patent liability is assumed with respect to the use of the information contained herein. © 1957 Howard W. Sams & Co., Inc., Indianapolis 5, Indiana. Printed in U.S. of America

PARTS LIST AND DESCRIPTIONS

TUBES (GENERAL ELECTRIC, SYLVANIA)

ITEM No.	USE	TYPE	NOTES
V1	AF Amplifier	6S37	
V2	AF Amplifier	12AT7	
V3	AF Amp. - Phase Inv.	12AT7	

ITEM No.	USE	TYPE	NOTES
V4	Output	6L6GB	
V5	Output	6L6GB	
V6	Rectifier	5U4GB	

ELECTROLYTIC CAPACITORS

ITEM No.	RATING		REPLACEMENT DATA						
	CAP.	VOLT.	Silromberg-Carlson PART No.	AEROVOX PART No.	CORNELL-DUBILIER PART No.	MALLORY PART No.	PYRAMID PART No.	SANGAMO PART No.	SPRAGUE PART No.
C1A	30	500	48320-000	AFH2-72	B0530	FP284	TMD-82	D-275	TVL-2097
B	30	500	35590-000	AFH4-85-25	D0850	FP431.3		Q-310	TVL-4705.6
C2A	40	450							
C	15	300							
D	30	350							
E	50	50		XPP6V50	BBR50-6	TT6X50	TD-50-6	MMT-650	TVA-1100
C3	50	6							

FIXED CAPACITORS

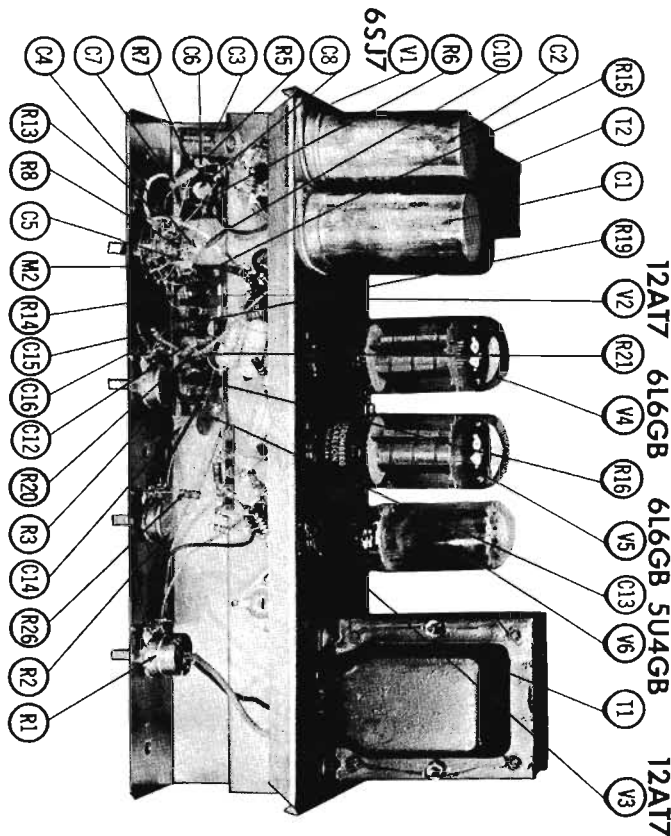
Capacity values given in the rating column are in mfd. for Paper Capacitors, and in mmfd. for Mica and Ceramic Capacitors.

ITEM No.	RATING		REPLACEMENT DATA								NOTES
	CAP.	VOLT.	Silromberg-Carlson PART No.	AEROVOX PART No.	CENTRALAB PART No.	CORNELL-DUBILIER PART No.	IRIE PART No.	MALLORY PART No.	SPRAGUE PART No.		
C4	100		BPD-0001	DD-101	LI071	ED-100	UC-531	5GA-71			
C5	100		BPD-0001	DD-101	LI071	ED-100	UC-531	5GA-71			
C6	100		BPD-0001	DD-101	LI071	ED-100	UC-531	5GA-71			
C7	47		SI 47	D8-470	LT6Q47	GP-47	UC-5447	5GA-Q47			
C8	330		BPD-00033	DD-331	LI0733	ED-330	UC-5333	5GA-T33			
C9	.22	400	P488N-22	CUB4P22			GEM-4022	4TM-P22			
C10	4700		BPD-0047	DD-472	BYA10D47	ED-0047	UC-5247	5GA-D47			
C11	.033	400	P488N-033	DF-303	CUB6S33		GEM-4133	6TM-333			
C12	33		SI 33	D8-330	LT6Q33	GP-33	UC-5433	5GA-Q33			
C13	4700		BPD-0047	DD-472	BYA10D47	ED-0047	UC-5247	5GA-D47			
C14	470		BPD-00047	DD-471	BYA10T47	ED-470	UC-5347	5GA-T47			
C15	470		BPD-00047	DD-471	BYA10T47	ED-470	UC-5347	5GA-T47			
C16	4700		BPD-0047	DD-472	BYA10D47	ED-0047	UC-5247	5GA-D47			
C17	.033	400	P488N-033	DF-303	CUB6S33		GEM-4133	6TM-333			
C18	470		BPD-00047	DD-471	BYA10T47	ED-470	UC-5347	5GA-T47			
C19	.1	400	P488N-1	DF-104	CUB4P1		GEM-401	4TM-P1			
C20	.1	400	P488N-1	DF-104	CUB4P1		GEM-401	4TM-P1			
C21	.1	400	P488N-1	DF-104	CUB4P1		GEM-401	4TM-P1			

CONTROLS

ITEM No.	RATING		REPLACEMENT DATA					INSTALLATION NOTES
	RESISTANCE	WATTS	Silromberg-Carlson PART No.	CENTRALAB PART No.	CLAROSTAT PART No.	IRC PART No.	MALLORY PART No.	
R1A	500K	1/2	145622-000	B-80-8	A47-500K-2	Q11-133	U46	Volume
B	500K	1/2		Not Req.	FS-3	Not Req.	US-26	
C	Switch			Not Req.	SW2-12	76-1		
R2A	5Meg	1/2	145681-000	AB-88	A47-5Meg-2	Q13-141	U85	Treble
B	5Meg	1/2		AK-7	FS-3	Not Req.		
R3A	5Meg	1/2	145681-000	AB-88	A47-5Meg-2	Q13-141	U85	Bass
B	5Meg	1/2		AK-7	FS-3	Not Req.		
R4	1000	2	173633-000					Rem Adjust (Wire Wound)

CHASSIS—TOP VIEW



PARTS LIST AND DESCRIPTIONS (Continued)

RESISTORS

All wattages 1/2 watt, or less, unless otherwise listed.

ITEM No.	RATING		REPLACEMENT DATA		NOTES	ITEM No.	RATING		REPLACEMENT DATA		NOTES
	OHMS	WATT	Stromberg-Carlson PART No.	IRC PART No.			OHMS	WATT	Stromberg-Carlson PART No.	IRC PART No.	
R5	100K			BTS-100K		R21	470K		BTS-470K		
R6	1M Ω			BTS-1M Ω		R22	47K		BTS-47K		
R7	100K			BTS-100K		R23	1500 Ω		BTS-1500		
R8	2.2M Ω			BTS-2.2M Ω		R24	4700 Ω		BTS-4700		
R9	470K			BTS-470K		R25	3300 Ω		BTS-3300		
R10	1.8M Ω			BTS-1.8M Ω		R26	100 Ω		BTS-100		
R11	100K			BTA-100K		R27	1000 Ω		BTS-1000		
R12	3300 Ω			BTS-3300		R28	470K		BTS-470K		
R13	470K			BTS-470K		R29	47K		BTS-47K		
R14	470K			BTS-470K		R30	47K		BTS-47K		
R15	33K			BTS-33K		R31	220K		BTS-220K		
R16	1.8M Ω			BTS-1.8M Ω		R32	220K		BTS-220K		
R17	33K			BTS-33K		R33	200 Ω	5	BTS-200 Ω		
R18	1000 Ω			BTS-1000		R34	15K		BTS-15K		
R19	47K			BTS-47K		R35	47K		BTS-47K		
R20	470K			BTS-470K		R36	47K		BTS-47K		
						R37	5000 Ω	7	PW7-5000		

TRANSFORMER (POWER)

ITEM No.	RATING				REPLACEMENT DATA					
	PRL	SEC. 1	SEC. 2	SEC. 3	Stromberg-Carlson PART No.	Holdorson PART No.	Merit PART No.	Sencor PART No.	Thordorson PART No.	Triod PART No.
T1	117V AC ① 1.1A	720VCT ① .140A	5VAC ① 3A	8.5VAC ① 2.8A	161795-000	P9314 ①	P-3173 ①	PC8410 ①	24R05U ①	R-14A ①

① Drill new mounting holes.

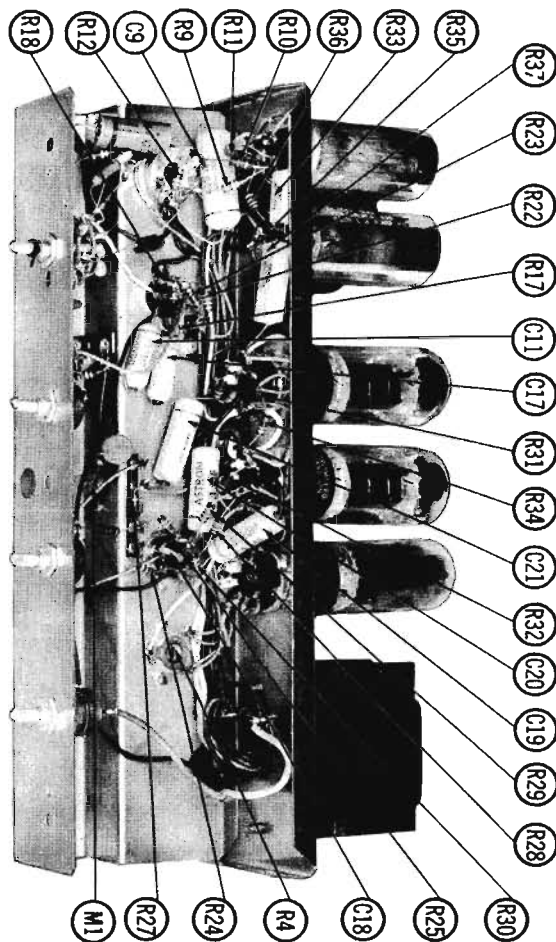
TRANSFORMER (AUDIO OUTPUT)

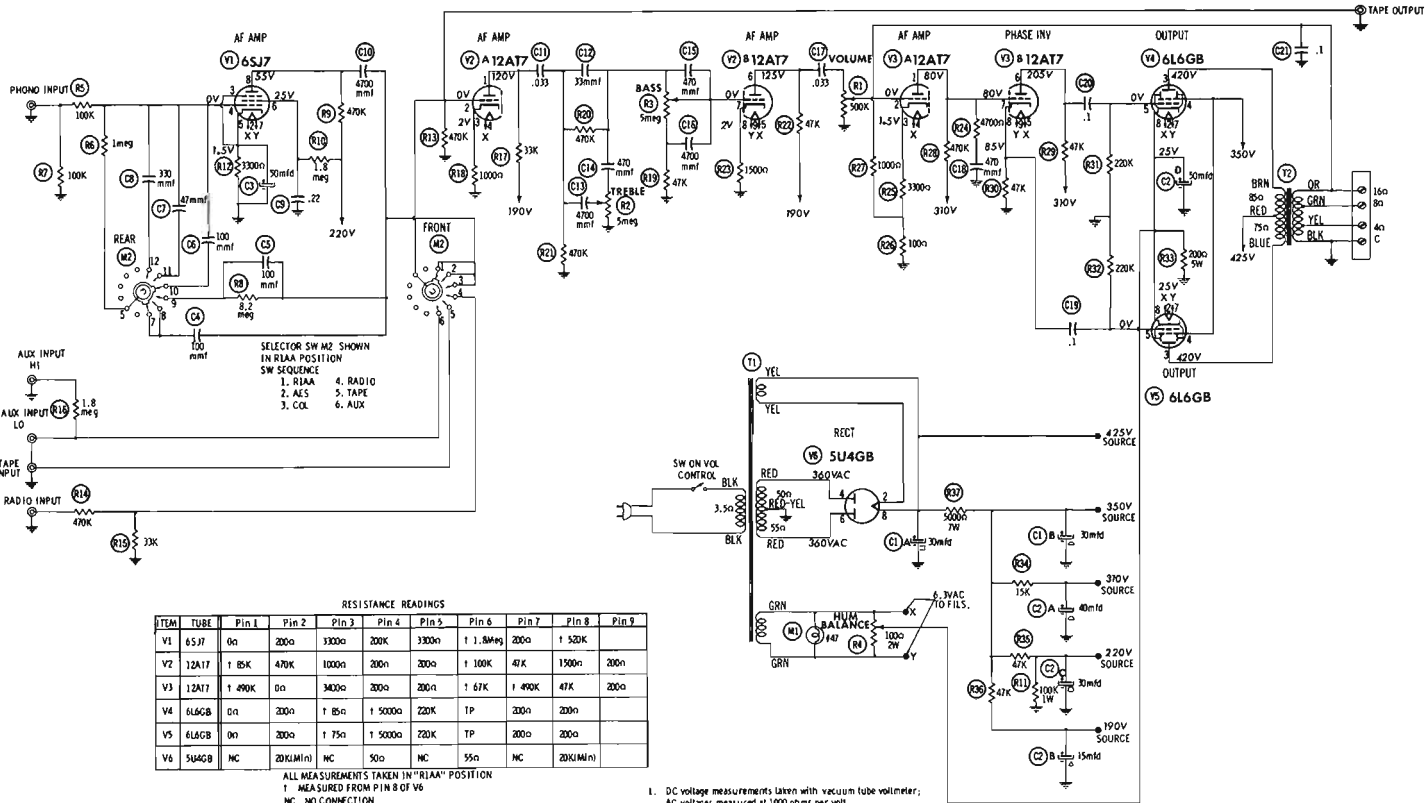
ITEM No.	IMPEDANCE		REPLACEMENT DATA						NOTES
	PRL	SEC.	Stromberg-Carlson PART No.	Holdorson PART No.	Merit PART No.	Sencor PART No.	Thordorson PART No.	Triod PART No.	
T2	5700 Ω CT	16 Ω Tap 8 Ω , 4 Ω	161355-000	21401	A-3131	A-3307	22897 ①	8-90A	① Drill new mounting holes.

MISCELLANEOUS

ITEM No.	PART NAME	Stromberg-Carlson PART No.	NOTES
M1	Pilot Lamp		#47
M2	Switch	158892-000	Selector (Rotary Wafer Type)

CHASSIS—BOTTOM VIEW





- DC voltage measurements taken with vacuum tube voltmeter; AC voltages measured at 1000 ohms per volt.
- Socket connections are shown as bottom views.
- Measured values are from socket pin to common negative.
- Line voltage maintained at 117 volts for voltage readings.
- Nominal tolerance of component values makes possible a variation of $\pm 15\%$ in voltage and resistance readings.
- All controls at minimum, proper output load connected.

2

SERVICING

hi-fi

PREAMPS AND
AMPLIFIERS

**SERVICING HI-FI
PREAMPS AND AMPLIFIERS**

Contains complete information on the circuitry, specifications and replacement parts for 1957-58 Preamps and Amplifiers. Data on the following brand names appears in this volume:

BELL SOUND	HARMON-KARDON
CHALLENGER	KNIGHT
DAVID BOGEN	MADISON FIELDING
ELECTRO-VOICE	NEWCOMB
FISHER	PILOT
GROMMES	SCOTT (H. H.)
HAMILTON	SHERWOOD
STROMBERG-CARLSON	

A



PHOTOFACT PUBLICATION